

技术要求:

1.工艺:丝印

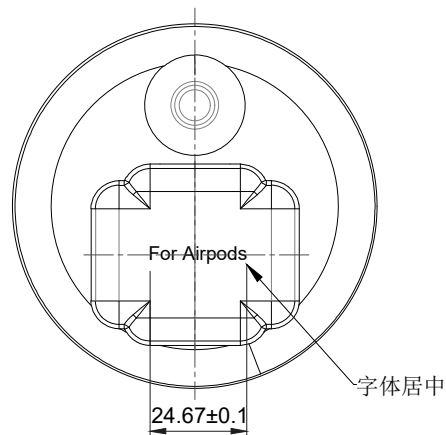
2.2:1视图尺寸

For Airpods

3. 颜色: PANTONE430C

字体: Arial

字高: 3.5



技术要求:

1.工艺:丝印

2.4:1视图尺寸

Model: WIBWHT100093997

Input : 9V=3.3A

Output 1: 15W Max.

Output 2: 5W Max.

FCC ID:2APXNLACC104

This device complies with part 15 of the FCC Rules.

Operation is subject to the following two conditions:

(1) this device may not cause harmful interference, and

(2) this device must accept any interference received, including interference that may cause undesired operation.

22XXA

厂商代码 (固定)

周别 (随生产的周别变动而变动)

年份

印字工艺: 镭雕

字体: Arial

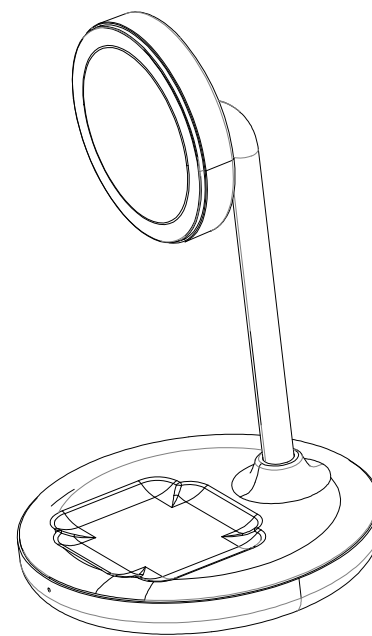
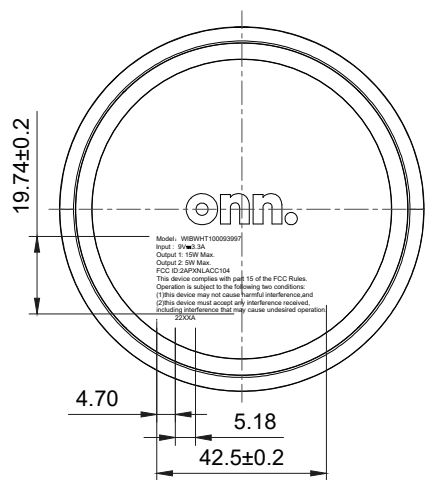
字高: 1.2mm

颜色: 灰色

3. 颜色: PANTONE430C

字体: Arial

字高: 1.2



X.± 0.3	X.°±0.3
.X± 0.15	.X°±0.2
.XX± 0.1	.XX°±0.1
.XXX± 0.05	.XXX°±0.05
UNITS:	mm

THESE DRAWINGS AND SPECIFICATIONS ARE THE PROPERTY OF LUXSHARE-ICT AND SHALL NOT BE REPRODUCED, COPIED OR CUED IN ANY MANNER WITHOUT THE PRIOR WRITTEN CONSENT OF LUXSHARE-ICT

Customer P/N:WIBWHT100093997
Customer REV.: *

TITLE:
L3TWC342-CS-R1

APPD: XIONGWU LI 22/03/20
CHKD: DUWEN XIAO 22/03/20
DRAW: XIN LIU 22/03/20

LUXSHARE-ICT

SUPPLIER P/N: *
LACC104二合一磁吸无线充20W白色

DWG NO:
L3TWC342-CS-R1

	SCALE	SHEET	REV.
	1:2	1/1	A1