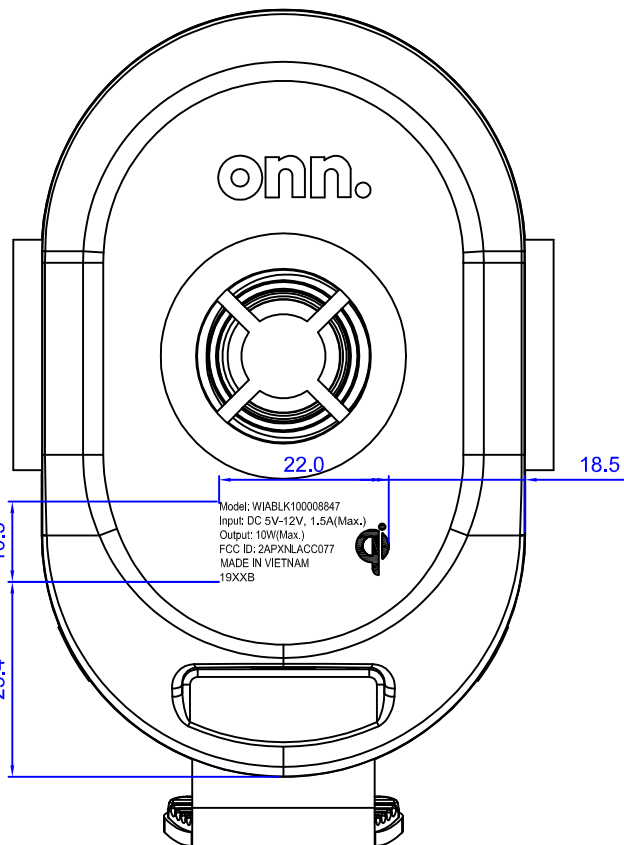


onn.

Model: WIABLK100008847
 Input: DC 5V-12V, 1.5A(Max.)
 Output: 10W(Max.)
 FCC ID: 2APXNLACC077
 MADE IN VIETNAM
 19XXB



Model: WIABLK100008847
 Input: DC 5V-12V, 1.5A(Max.)
 Output: 10W(Max.)
 FCC ID: 2APXNLACC077
 MADE IN VIETNAM
 19XXB



rating label (Color): PMS 430C

规格	项目	规格指标
DC输入特性	输入电压范围	5V-12V
	输入电流	1.5A (Max)
DC输出特性	输出电压电流	5V === 2A
	输出功率	10W (Max)

X.± 1	X.°±1
.X± 0.3	.X°±0.5
.XX± 0.20	.XX°±0.3
.XXX± 0.100	.XXX°±0.1
UNITS:	mm

THESE DRAWINGS AND SPECIFICATIONS ARE THE PROPERTY OF LUXSHARE-ICT AND SHALL NOT BE REPRODUCED, COPIED OR CUED IN ANY MANNER WITHOUT THE PRIOR WRITTEN CONSENT OF LUXSHARE-ICT

Customer P/N: WIABLK100008847	
Customer REV.: D87	
PART NO. L3TWC254-CS-R1	
APPD:	JACK XU
CHKD:	XIONGWU LI
Safety Eng:	JUAN LUO
DRAW:	JING GONG

LUXSHARE-ICT		
TITLE: 10W车载无线充		
DWG NO: RDN1910289-040		
	SCALE	SHEET
1:1	2/5	REV. B

