

QUICK SETUP GUIDE

# 10W Qi Dash Mount

NS-MWPC10DM / NS-MWPC10DM-C

PACKAGE CONTENTS

- Qi smartphone holder
- Dashboard mount
- Vent mount
- Car charger
- Quick Setup Guide

COMPATIBILITY

Wirelessly charges most Qi-enabled smartphones 2–3.8 in. (5–9.6 cm) wide. Compatible models include Samsung Galaxy Note 5, Note 7, Note FE, S6, S6 Edge+, S6 Active, S7, S7 Edge, S7 Active, S8, S8+, S8 Active, S9, S9+, S Lite, S10, S10+, S10e, iPhone 8, iPhone 8 Plus, iPhone X, iPhone XS, iPhone XS Max, iPhone XR and other Qi-enabled smartphones.

**Note:** Not all smartphones can receive a Wireless Fast Charge. However, they will still receive a standard wireless charge. Check your phone's charging features to see if it has Fast Charge capabilities.

FEATURES

- Suction cup with adhesive securely holds your phone to a vehicle's dashboard
- Ball socket joint provides a wide, 210° range of motion that holds your phone vertically or horizontally
- Wireless design lets you charge your phone without cumbersome cords
- Car charger includes an extra USB port to charge other devices
- 10W Qi-certified to work with most Qi-enabled smartphone devices (from 2–3.8 in. (5–9.6 cm) wide), including Apple and Samsung

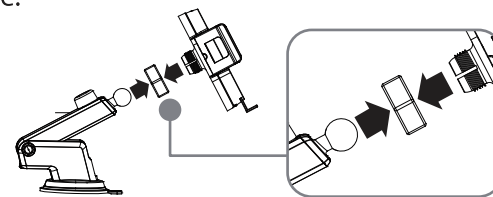
SETTING UP YOUR MOUNT

Your mount can be attached to a dashboard or windshield.

**Dashboard mount**

Clean the surface to remove dust and other debris before attaching the mount to it.

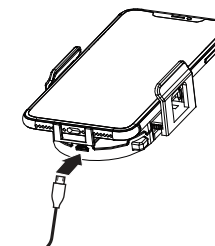
- 1 Unscrew the holder knob on the back of the smartphone holder.
- 2 Place the smartphone holder over the dashboard mount's ball joint and tighten the holder knob to secure.



- 3 Remove the plastic cover from the mount's suction cup.

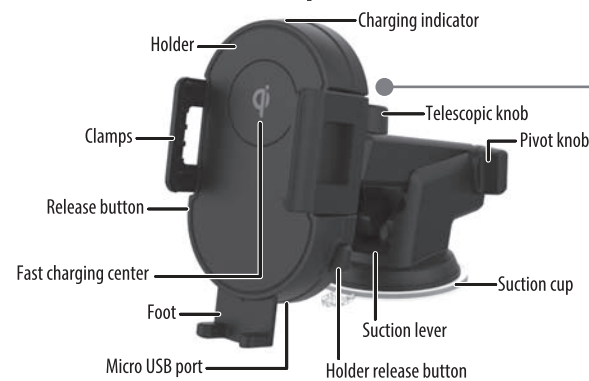
**Note:** If the suction cup on the bottom of the mount loses its adhesive, rinse it in warm water and let air dry.

- 4 Press the suction cup onto your dashboard or window, then press the suction lever down to secure the mount.
- 5 Connect the car charger to the micro USB port on the bottom of the holder, then plug the other end into your vehicle's cigarette lighter. The LED lights green, then fades until the LED turns off.

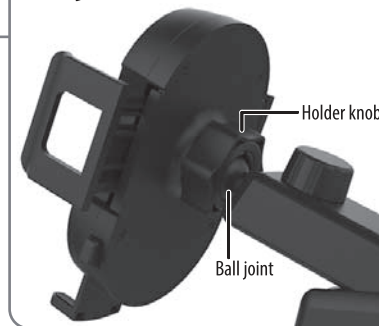


PRODUCT OVERVIEW

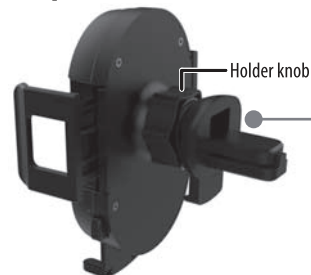
**Dashboard mount with smartphone holder**



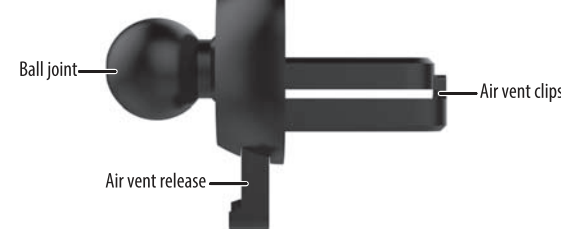
**Ball joint and holder knob**



**Air vent mount with smartphone holder**

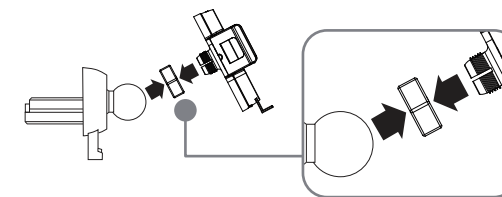


**Air vent mount**



**Air vent mount**

- 1 Unscrew the holder knob on the back of the smartphone holder.
- 2 Place the smartphone holder over the vent mount's ball joint and tighten the holder knob to secure.



- 3 Press the air vent release to open the vent clips, align the clips with your vent, then stop pressing the air vent release to secure the vent mount.
- 4 Connect the car charger to the micro USB port on the bottom of the holder, then plug the other end into your vehicle's cigarette lighter. The LED lights green, then fades until the LED turns off.

## USING YOUR DASH MOUNT

### Mounting and charging your smartphone

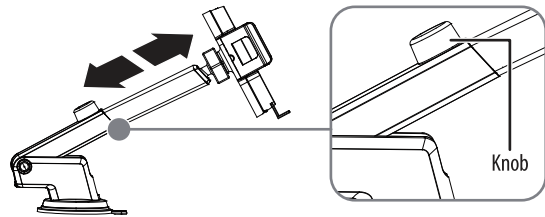
- Loosen the foot knob on the back of the holder to raise or lower the mount's foot, then retighten the knob to secure.
- Press the release button on the side of the holder. The clamps open.
- Place your smartphone in the holder and squeeze the clamps together tightly until your phone is secure. Make sure that:
  - Your phone is flush against the back of the holder.
  - The center of your smartphone is aligned with the **Qi** symbol on the holder.
- Check the charging indicator to make sure that the smartphone is receiving power. The LED should light solid green. Your phone charges until the battery reaches 100%, then stops.

### Adjusting your mount's position

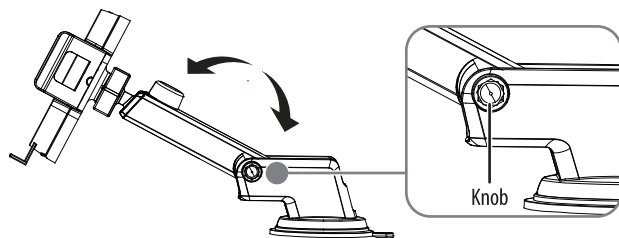
Loosen an adjustment knob to reposition the mount, then tighten the knob to secure the mount's position.

**Caution:** Do not adjust the mount's position while driving or while the phone is in the holder.

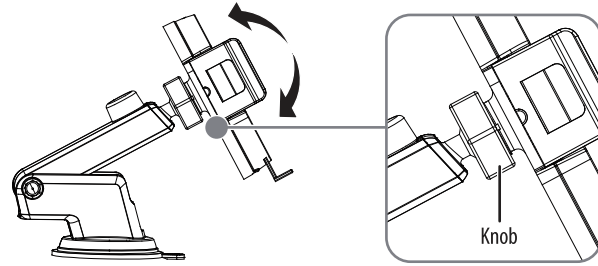
- Telescopic knob:** Extends the arm



- Pivot knob:** Pivots the arm from side to side



- Holder knob:** Rotates your phone



### Removing your smartphone from the holder

- Hold your smartphone and press the release button on the side of the holder. The clamps open.
- Remove your smartphone.

## TROUBLESHOOTING

PROBLEM	SOLUTION
<b>Device not charging</b>	<ul style="list-style-type: none"> <li>Make sure that your device is Qi-enabled.</li> <li>Make sure that your dash mount is connected to your vehicle's power port.</li> <li>Make sure that your smartphone is in the center of the holder with the screen facing outward.</li> <li>Remove your smartphone's case. It may be blocking the wireless signal.</li> <li>Turn on your vehicle.</li> </ul>
<b>LED is blinking red</b>	<ul style="list-style-type: none"> <li>Wireless charging may not work if your phone has a thick case, if your phone case is made out of certain materials (such as metal), or an object (such as a phone grip) is attached to the back.</li> <li>The mount is too hot to charge. Remove your phone and let it cool, then resume charging.</li> <li>Your smartphone is not compatible with the Qi wireless charger.</li> </ul>
<b>Device charges slowly</b>	<ul style="list-style-type: none"> <li>Your smartphone may charge more slowly with the wireless charger than a charging cable. This is normal behavior.</li> <li>Make sure that your smartphone is positioned in the center of the holder.</li> </ul>
<b>Mount won't secure to the dashboard</b>	<ul style="list-style-type: none"> <li>Clean the window or dashboard and let it air dry before securing the mount.</li> <li>If the suction cup on the bottom of the mount loses its adhesive, rinse it in warm water and let air dry.</li> </ul>
<b>Mount won't secure to the dashboard</b>	Try using your dash mount in different locations.

## SPECIFICATIONS

**Dimensions (H×W×D):** .8 × 2.5 × 4.1 in.  
(20 × 63 × 103 mm)

**Weight:** .4 lb. (.2 kg)

**Input:** 5V/2A or 12V/1.2A

**Output:** 10W maximum

**Temperature range:** 32°~104°F (0°~40°C)

**Qi version:** WPC 1.2.4

## SAFETY INSTRUCTIONS

- Do not attempt to disassemble the product. It may result in short-circuit or damage.
- The product should be kept in a dry and ventilated environment. Do not store it in an area of high humidity and high temperature.
- Do not use organic solvent to clean the product.

## LEGAL NOTICES

### FCC Statement

#### FCC Supplier's Declaration of Conformity:

**Brand name / model number:** INSIGNIA / NS-MWPC10DM

This device complies with Part 15 of the FCC Rules. Operation is subject to the following two conditions: (1) this device may not cause harmful interference, and (2) this device must accept any interference received, including interference that may cause undesired operation.  
Suppliers Name: Best Buy Purchasing, LLC. Suppliers Address (USA): 7601 Penn Ave South, Richfield, MN 55423 U.S.A. Suppliers phone number: 1-877-467-4289.

### FCC Caution

Changes or modifications not expressly approved by the party responsible for compliance could void the user's authority to operate this equipment.  
**Note:** This equipment has been tested and found to comply with the limits for a Class B digital device, pursuant to Part 15 of the FCC Rules. These limits are designed to provide reasonable protection against harmful interference in a residential installation. This equipment generates, uses and can radiate radio frequency energy and, if not installed and used in accordance with the instructions, maybe cause harmful interference to radio communications. However, there is no guarantee that interference will not occur in a particular installation. If this equipment does cause harmful interference to radio or

television reception, which can be determined by turning the equipment off and on, the user is encouraged to try to correct the interference by one or more of the following measures:

- Reorient or relocate the receiving antenna.
- Increase the separation between the equipment and receiver.
- Connect the equipment into an outlet on a circuit different from that to which the receiver is connected.
- Consult the dealer or an experienced radio/TV technician for help.

### RSS-Gen statement:

This device complies with Industry Canada licence-exempt RSS standard(s). Operation is subject to the following two conditions: (1) this device may not cause interference, and (2) this device must accept any interference, including interference that may cause undesired operation of the device.

Le présent appareil est conforme aux CNR d'Industrie Canada applicables aux appareils radio exempts de licence. L'exploitation est autorisée aux deux conditions suivantes : (1) l'appareil ne doit pas produire de brouillage, et (2) l'utilisateur de l'appareil doit accepter tout brouillage radioélectrique subi, même si le brouillage est susceptible d'en compromettre le fonctionnement.

### RSS-102 Statement:

This equipment complies with Industry Canada radiation exposure limits set forth for an uncontrolled environment.

Cet équipement est conforme à l'exposition aux rayonnements Industry Canada limites établies pour un environnement non contrôlé.

## ONE-YEAR LIMITED WARRANTY

Visit [www.insigniaproducts.com](http://www.insigniaproducts.com) for details.

### CONTACT INSIGNIA:

1-877-467-4289 (U.S. and Canada)

01-800-926-3000 (Mexico)

[www.insigniaproducts.com](http://www.insigniaproducts.com)

INSIGNIA is a trademark of Best Buy and its affiliated companies  
Distributed by Best Buy Purchasing, LLC  
7601 Penn Ave South, Richfield, MN 55423 U.S.A.  
©2019 Best Buy. All rights reserved.  
Made in China