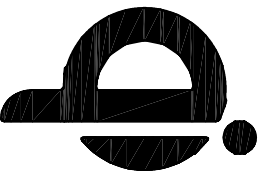


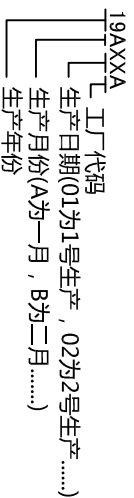
Marking 要求

1. 工艺：移印
2. 2：1视图尺寸



INSIGNIA
 Wireless Charging Dash Car Mount
 MODEL NO.: NSAMWPC10DM
 Input: DC 5V~2A(Max), 12V~1.2A(Max)
 Output: 10W(Max)
 FCC ID: 2AFXNLA00089
 Made in China 19AXXA

3. 颜色：PANTONE429C

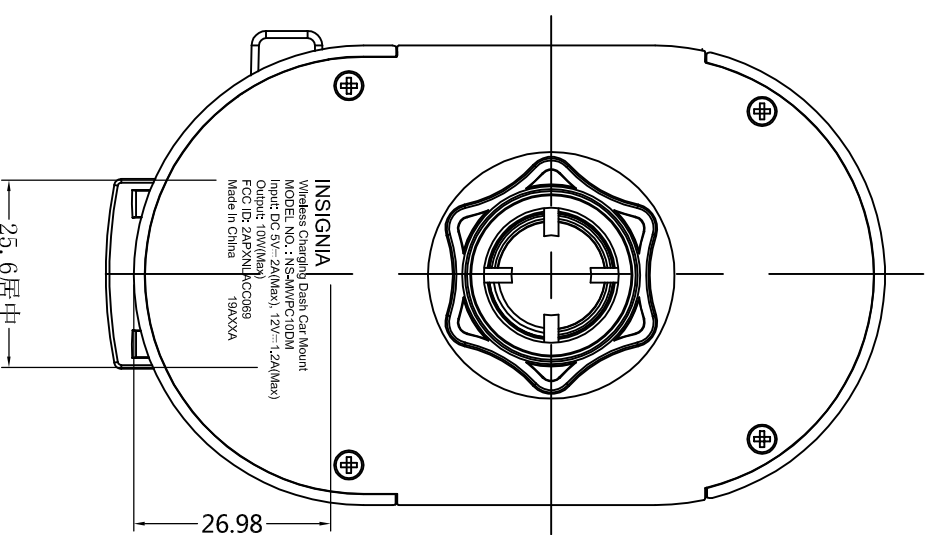
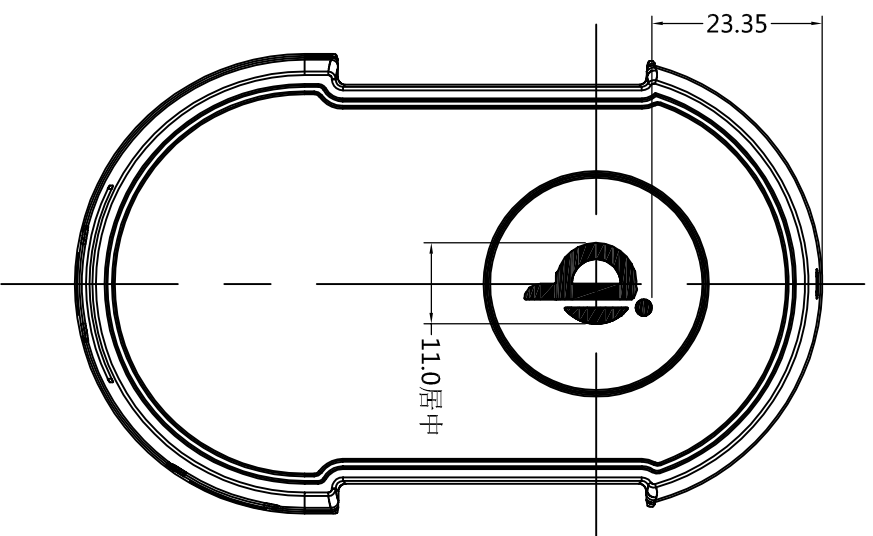


注：月，日别按生产的周别变动而变动

例：19A01A
 19B02A
 19C03A

以此类推

产品，彩盒，内箱，外箱上的日期必须一致



X.±0.3	X.°±
X±0.2	X°±
XX±0.10	XX°±
XXX±0.050	XXX°±

NAME (INTENDED USE)	ASAP 博信科技(江西)有限公司
CUSTOMER P/N:BBY	ASAP TECHNOLOGY(JIANGXI)CO.,LIMITED
CUSTOMERNO:	TITLE: LACC069 10W Qi 车载无线充电器
APPD: Xiaolan Deng	DWG NO: LOSWC001-CS-R1
CHKD: Xiongwu.Li	SCALE SHEET REV: NONE 2/3 A
DR: Ziyuan.Liu	

THESE DRAWINGS AND SPECIFICATIONS ARE THE PROPERTY OF ASAP TECHNOLOGY(JIANGXI)CO., LIMITED AND SHALL NOT BE REPRODUCED, COPIED OR QUOTED IN ANY MANNER WITHOUT THE PRIOR WRITTEN CONSENT OF ASAP TECHNOLOGY(JIANGXI)CO., LIMITED.