

Antenna Information

Manufacturer: 3L ELECTRONIC (ZHONGSHAN)CORP.

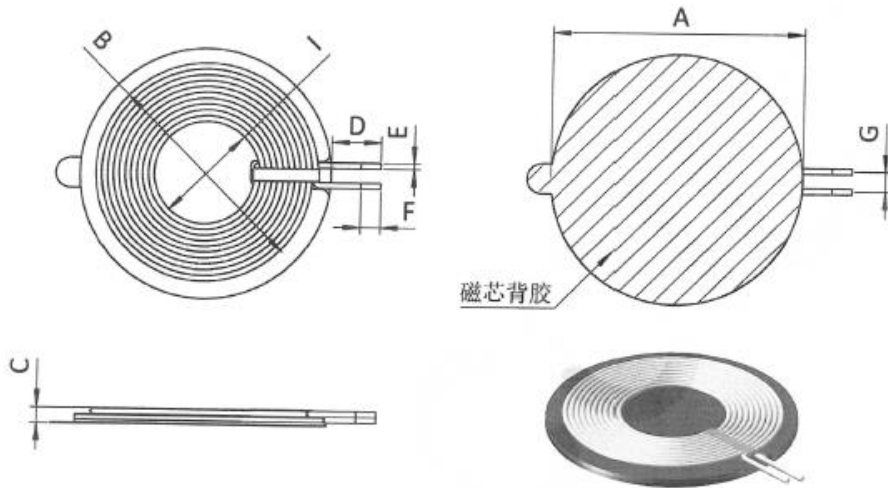
Address:No.6 Industrial Park Nanlang Town Zhong Shan Guangdong, P.R.China

Model No.:13705-T0X0006R

Length: 49.8mm

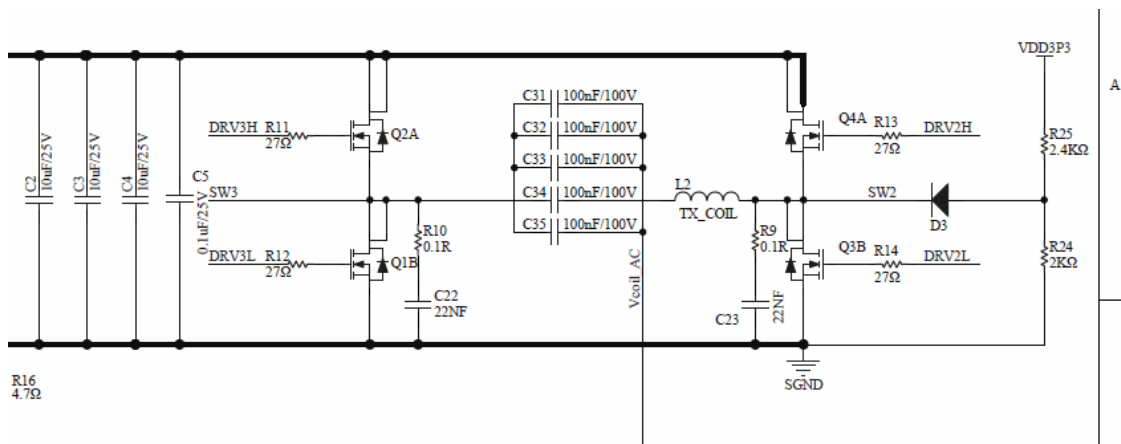
Type: Loop Antenna

Circuit Diagram:



ITEM	SPEC(mm)	TYP(mm)	ITEM	SPEC(mm)	TYP(mm)
A	49.5+0.3-0.7	49.8	F	2.5+1.0	2.1
B	44.0 MAX	43.2	G	4.5+1.0	
C	3.8MAX	3.25	H		
D	4.5+1.0	3.88	I	20.5+1.5	20.6
E	1.6MAX	1.35	J		

Outside Diagram:



Remark:Only radiated measurements are used to show compliance with FCC limits for fundamental and spurious emissions.