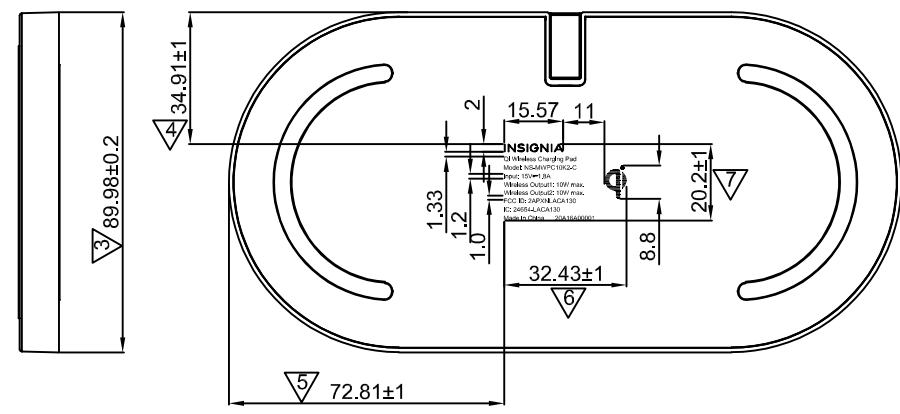
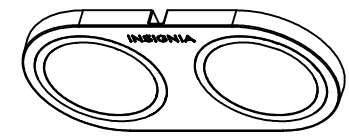
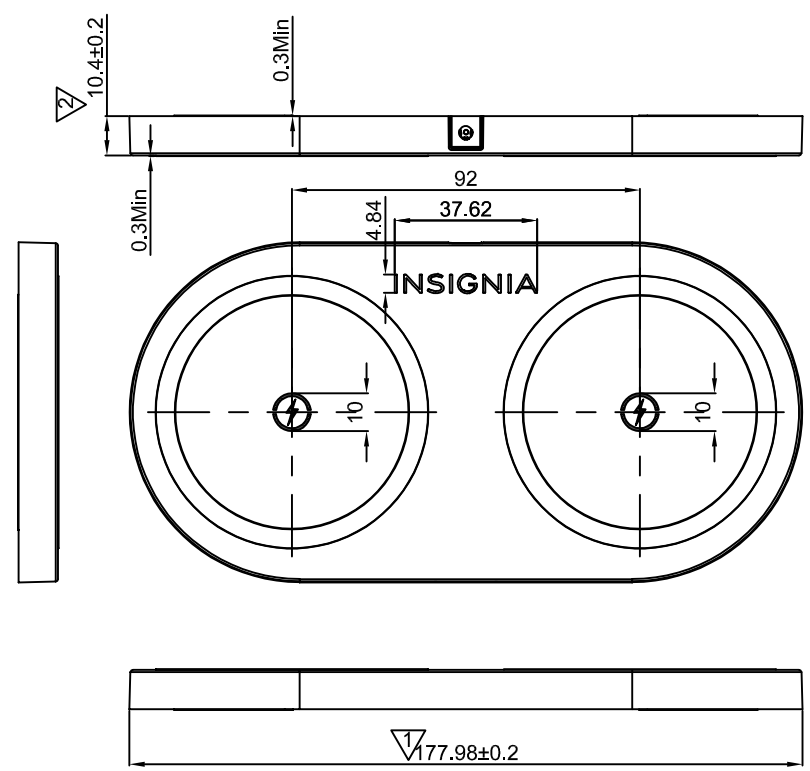


RoHS

REV.	DESCRIPTION	DESIGN	APPROVAL	DATE
A	NEW	Sam You	Jack Xu	2020.02.04



20A16A00001

- 制造流水号
- 产地固定码: A
- 生产日, 两位数字表示实际生产日
- 月份, 用A~L 12个英文字母表示12个不同的月
- A表示1、B表示2.....依次类推
- 年份

X.± 1	X.°±1	Customer P/N: NS-MWPC10K2-C Customer REV.: *	LUXSHARE-ICT		
.X± 0.3	.X°±0.5				
.XX± 0.20	.XX°±0.3		TITLE: LACA130 AC Wireless charger 10W+10W black(CA)		
.XXX± 0.100	.XXX°±0.1		DWG NO: RDN2001031-001		
	mm	PART NO. L0SWC009-CS-R2	SCALE SHEET REV.		
THESE DRAWINGS AND SPECIFICATIONS ARE THE PROPERTY OF LUXSHARE-ICT AND SHALL NOT BE REPRODUCED, COPIED OR CUED IN ANY MANNER WITHOUT THE PRIOR WRITTEN CONSENT OF LUXSHARE-ICT		APPD: Jack Xu	1:2 1/4 A		
		CHKD: Xiongwu Li			
		Safety Eng: Juan Luo			
		DRAW: Sam You			

E
D
C
B
A

8 7 6 5 4 3 2 1