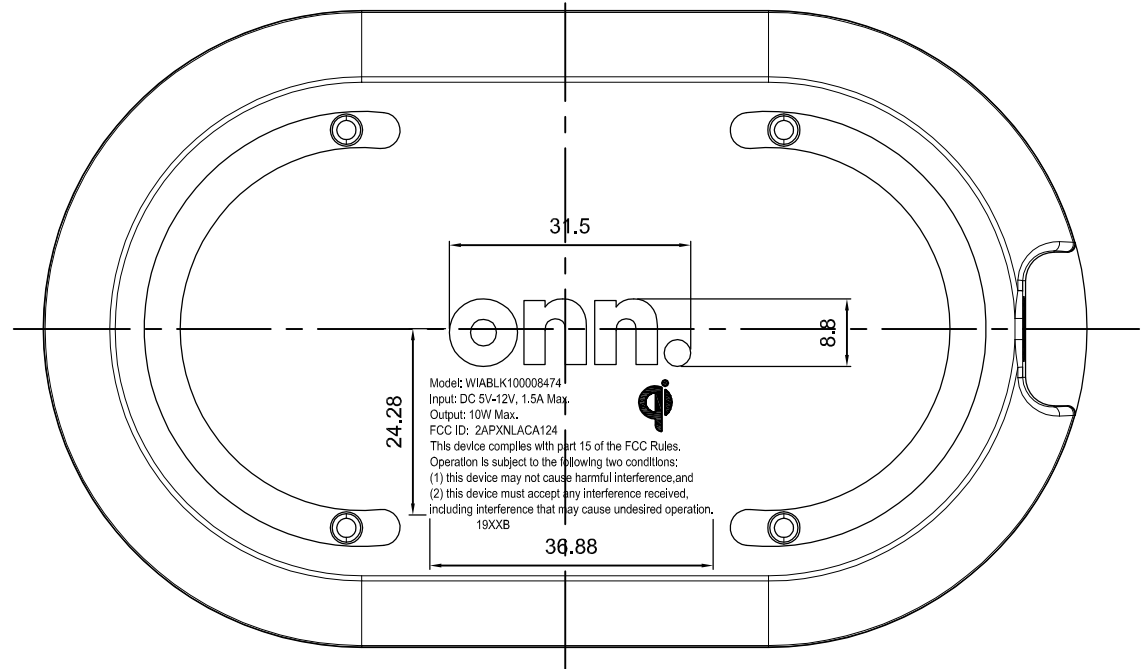


Model: WIABLK100008474
 Input: DC 5V-12V, 1.5A Max.
 Output: 10W Max.
 FCC ID: 2APXNLACA124



This device complies with part 15 of the FCC Rules.
 Operation is subject to the following two conditions:
 (1) this device may not cause harmful interference, and
 (2) this device must accept any interference received,
 including interference that may cause undesired operation.
 19XXB



rating label (Color): PMS 430C

X.± 1	X.°±1	Customer P/N: WIABLK100008474	LUXSHARE-ICT			
.X± 0.3	.X°±0.5					Customer REV.: *****
.XX± 0.20	.XX°±0.3	PART NO. L3TWC248-CS-R1	TITLE: WRLS Charging fold			
.XXX± 0.100	.XXX°±0.1		DWG NO: RDN1910289-042			
UNITS:	mm	APPD: JACK XU		SCALE	SHEET	REV.
THESE DRAWINGS AND SPECIFICATIONS ARE THE PROPERTY OF LUXSHARE-ICT AND SHALL NOT BE REPRODUCED, COPIED OR CUED IN ANY MANNER WITHOUT THE PRIOR WRITTEN CONSENT OF LUXSHARE-ICT		CHKD: XIONGWU LI		1:1	2/5	B
		DRAW: GONGJING				