

onn.



Model: WIABLK100007866

Input: DC 5-12V 1.5A Max.

Output: 10W Max.

FCC ID: 2APXNLACA120

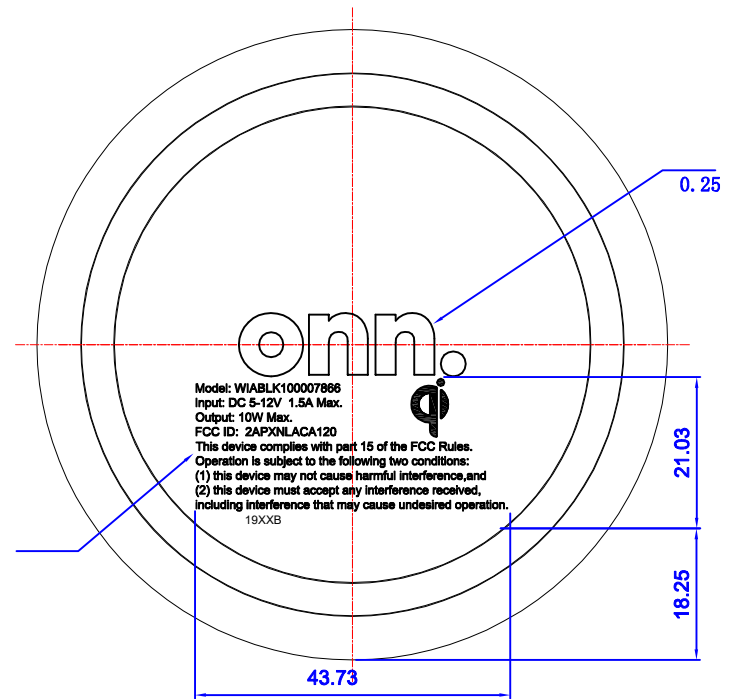
This device complies with part 15 of the FCC Rules.

Operation is subject to the following two conditions:

(1) this device may not cause harmful interference, and

(2) this device must accept any interference received, including interference that may cause undesired operation.

19XXB



Model: WIABLK100007866
 Input: DC 5-12V 1.5A Max.
 Output: 10W Max.
 FCC ID: 2APXNLACA120

This device complies with part 15 of the FCC Rules.
 Operation is subject to the following two conditions:
 (1) this device may not cause harmful interference, and
 (2) this device must accept any interference received,
 including interference that may cause undesired operation.
 19XXB

X.± 1	X.°±1	Customer P/N: WIABLK100007866 Customer REV.: D87	LUXSHARE-ICT			
.X± 0.3	.X°±0.5					
.XX± 0.20	.XX°±0.3	PART NO. L3TWC245-CS-R1	TITLE: D87-10W无线充五金+玻璃			
.XXX± 0.100	.XXX°±0.1		DWG NO: RDN1910289-037			
UNITS:	mm	APPD: JACK XU 19/12/18 CHKD: XIONGWU LI 19/12/18 Safety Eng: JUAN LUO 19/12/18 DRAW: XUBIAO LIU 19/12/18		SCALE	SHEET	REV.
THESE DRAWINGS AND SPECIFICATIONS ARE THE PROPERTY OF LUXSHARE-ICT AND SHALL NOT BE REPRODUCED, COPIED OR CUED IN ANY MANNER WITHOUT THE PRIOR WRITTEN CONSENT OF LUXSHARE-ICT				1:1	2/4	B