

RoHS

onn.



Model: WIABLK100008472

Input: 5V $\overline{\text{---}}$ 2A

Output: 5W Max.

FCC ID: 2APXNLACA115

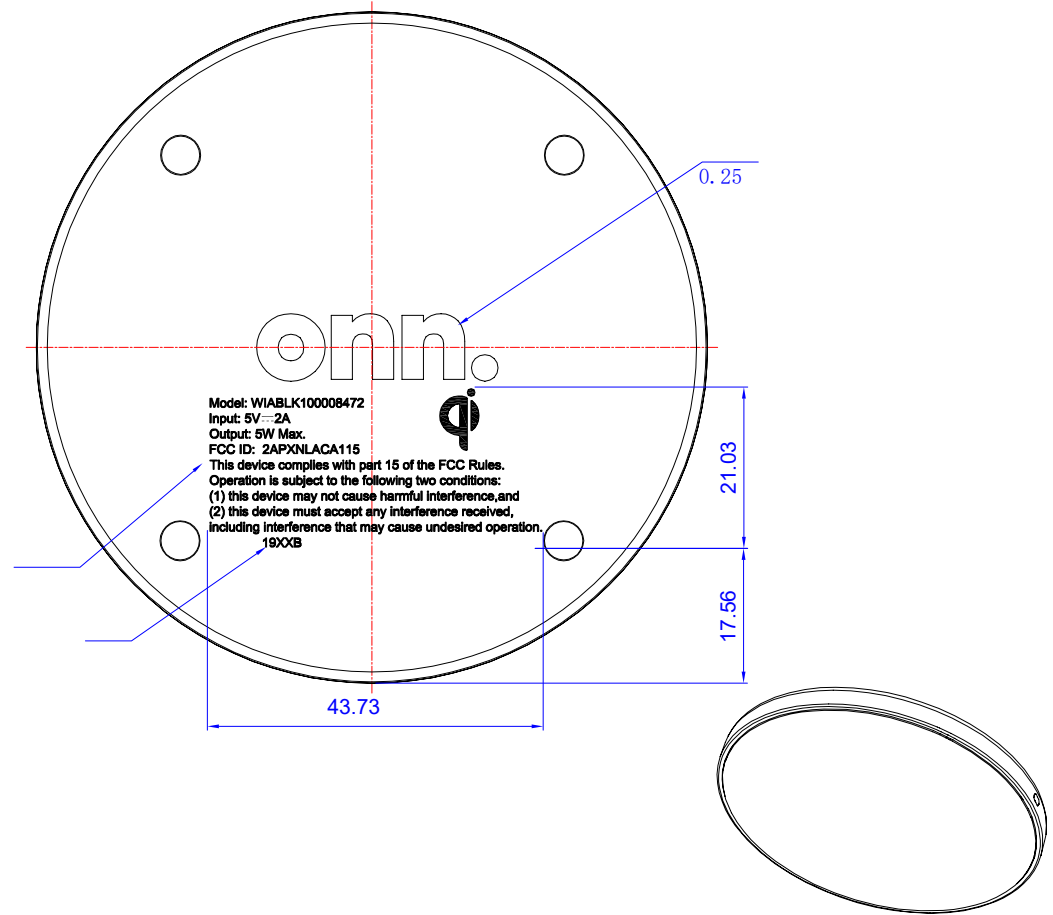
This device complies with part 15 of the FCC Rules.

Operation is subject to the following two conditions:

(1) this device may not cause harmful interference, and

(2) this device must accept any interference received, including interference that may cause undesired operation.

19XXB



Model: WIABLK100008472
 Input: 5V $\overline{\text{---}}$ 2A
 Output: 5W Max.
 FCC ID: 2APXNLACA115

This device complies with part 15 of the FCC Rules.
 Operation is subject to the following two conditions:
 (1) this device may not cause harmful interference, and
 (2) this device must accept any interference received,
 including interference that may cause undesired operation.

19XXB

X.± 1	X.°±1
.X± 0.3	.X°±0.5
.XX± 0.20	.XX°±0.3
.XXX± 0.100	.XXX°±0.1
UNITS:	mm

THESE DRAWINGS AND SPECIFICATIONS ARE THE PROPERTY OF LUXSHARE-ICT AND SHALL NOT BE REPRODUCED, COPIED OR CUED IN ANY MANNER WITHOUT THE PRIOR WRITTEN CONSENT OF LUXSHARE-ICT

Customer P/N: WIABLK100008472

Customer REV.: D87

PART NO.
L3TWC239-CS-R-US

APPD: JACK XU 19/10/30

CHKD: XIONGWU LI 19/10/30

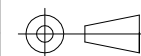
Safety Eng: JUAN LUO 19/10/30

DRAW: XUBIAO LIU 19/10/30

LUXSHARE-ICT

TITLE:
D87-5W无线充-硅胶

DWG NO:
RDN1910289-030



SCALE	SHEET	REV.
1:1	2/4	A