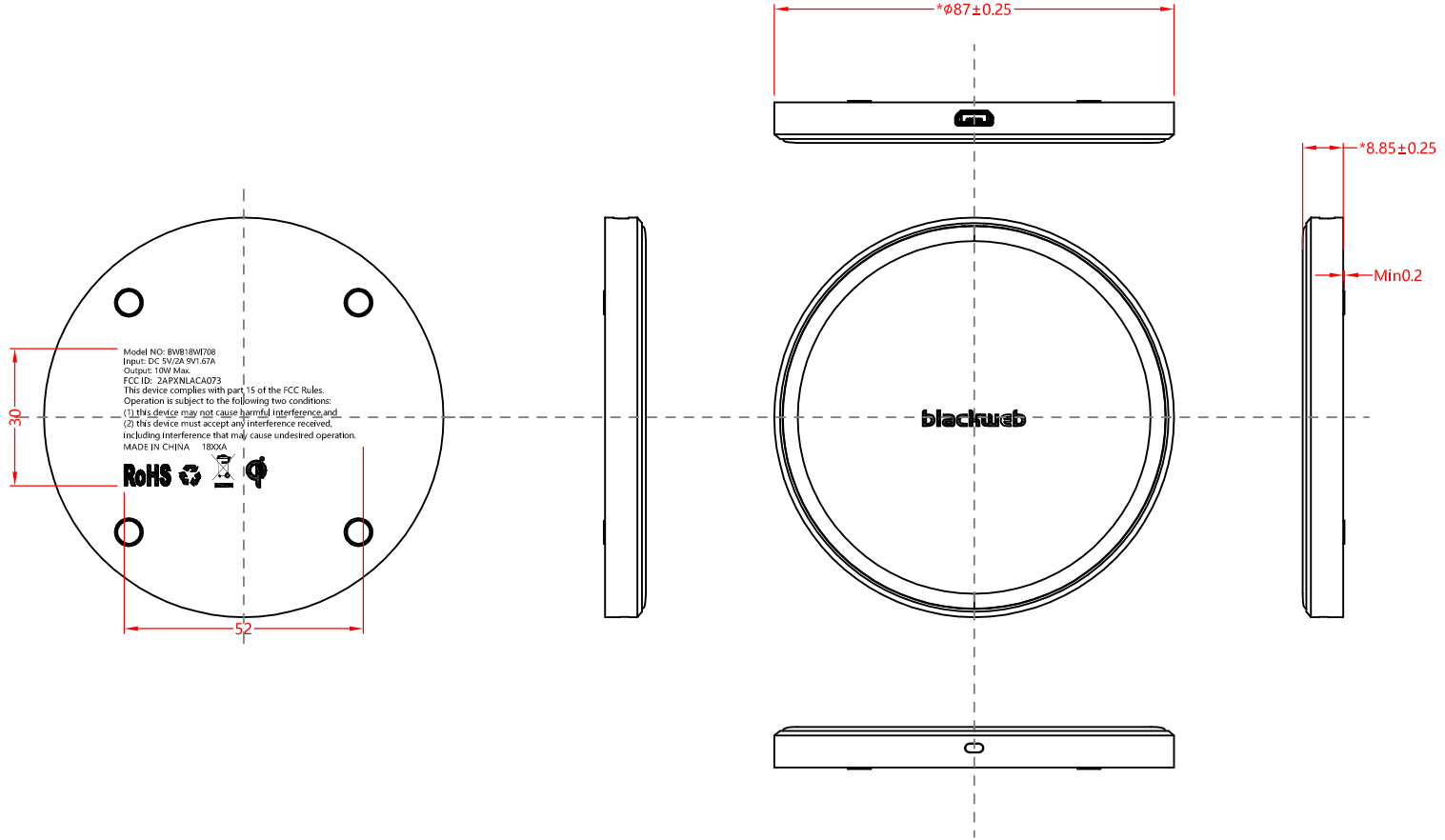


REV.	DESCRIPTION	DESIGN	APPROVAL	DATE
A	NEW	HQ.Song	Xiaolan Deng	2018.06.22

技术要求

1. 组装后上盖与下盖段差和缝隙符合蓝图要求；
2. 外观和标志应符合蓝图要求；
3. 带"*"尺寸需重点检验；
4. 电气测试项目依照《产品规格书》执行；
5. 物料及成品必须符合QW-Q-043《材料与成品限用物质管理规范》RoHs 2.0管控要求。



Model NO: BWB18WI708
 Input: DC 5V/2A 9V1.67A
 Output: 10W Max.
 FCC ID: 2APXNLACA073
 This device complies with part 15 of the FCC Rules.
 Operation is subject to the following two conditions:
 (1) This device may not cause harmful interference, and
 (2) this device must accept any interference received,
 including interference that may cause undesired operation.
 MADE IN CHINA 18XXA

Unit: mm

18XXA
 工厂代码
 生产周别
 生产年份

注：周别按生产的周别变动而变动

例：1801A
 1802A
 1803A

工艺：镭雕

以此类推

Model NO: BWB18WI708
 Input: DC 5V/2A 9V1.67A
 Output: 10W Max.
 FCC ID: 2APXNLACA073
 This device complies with part 15 of the FCC Rules.
 Operation is subject to the following two conditions:
 (1) this device may not cause harmful interference, and
 (2) this device must accept any interference received,
 including interference that may cause undesired operation.
 MADE IN CHINA 18XXA



X.±0.3	X.°±	NAME(INTENDED USE)	ASAP 博碩科技(江西)有限公司 ASAP TECHNOLOGY(JIANGXI)CO.,LIMITED	
.X±0.2	.X°±	Custom P/N: BWB18WI708		
.XX±0.10	.XX°±	LACA071		
.XXX±0.050	.XXX°±	APPD: Xiaolan Deng	Material: Wireless charger 10W QI 灰色	
THESE DRAWINGS AND SPECIFICATIONS ARE THE PROPERTY OF ASAP TECHNOLOGY(JIANGXI)CO., LIMITED AND SHALL NOT BE REPRODUCED, COPIED OR CUED IN ANY MANNER WITHOUT THE PRIOR WRITTEN CONSENT OF ASAP TECHNOLOGY(JIANGXI)CO., LIMITED.			DWG NO: L3TWC100-CS-R1	
			CHKD: Xiongwu Li	SCALE SHEET REV. NONE 1/1 A
			DR: Huoqing Song	