



### WARNING

**TO ENJOY A SAFE GAMING ENVIRONMENT**  
Please use the wall anchor kit that is included with the product.



### WARNING

**Serious or fatal crushing injuries can occur from furniture tip-over. To help prevent tip-over:**

- Set up Arcade1UP on a level floor.
- Never allow children to climb or hang on product.
- Always set up an anti-tip device!

**Use of tip-over restraints may only reduce, but not eliminate, the risk of tip-over.**

**WARNING: Arcade1UP assumes no liability for improper installation or excessive loads placed on screws or bracket. This wall anchor is not a substitute for proper adult supervision.**

**Make sure to locate your Arcade1UP on a flat surface**

#### FCC RF RADIATION EXPOSURE STATEMENT:

This equipment complies with FCC radiation exposure limits set forth for an uncontrolled environment. This equipment should be installed and operated with a minimum distance of 20cm between the radiator and any part of your body.

#### ISED RF RADIATION EXPOSURE STATEMENT:

This equipment complies with IC RSS-102 radiation exposure limits set forth for an uncontrolled environment. This equipment should be installed and operated with a minimum distance of 20cm between the radiator and any part of your body.

### TROUBLESHOOTING

PROBLEM	POSSIBLE CAUSE	SOLUTION
Game will not turn on.	-Power cord is not plugged into wall outlet. -Wires/Plugs are hooked up incorrectly. -ON/OFF Switch is in the OFF position. -Upload switch on back of monitor is in the OFF position.	-Make sure power cord is plugged into the wall outlet and there is power to that outlet. (Plug other electrical equipment into the power outlet to make sure the outlet normally works.) -Make sure all Wires/Plugs are properly connected and all the way set in as directed in assembly instructions. -Slide ON/OFF Switch located on control deck to the ON position. -Slide upload switch on back of monitor to the ON position.
Game will turn ON, but there is no sound.	-Wires/Plugs were hooked up incorrectly. -Volume Switch is in the OFF position.	-Make sure all Wires/Plugs are properly connected and all the way set in as directed in assembly instructions. -Slide Volume Switch located on control deck to the right. NOTE: Push volume slide switch right to increase volume, left to lower volume.
You hear sound but there is no picture.	-Wires/Plugs were hooked up incorrectly.	-Make sure all Wires/Plugs are properly connected and all the way set in as directed in assembly instructions.
The game screen is frozen.	-The game encountered a problem when processing the data.	-Turn the ON/OFF switch OFF and then back ON again. -You may need to RESET the game. Turn the ON/OFF switch to the OFF position. Unplug the game from the wall outlet and wait 60 seconds to RESET the game. Plug the game back in and turn the ON/OFF switch back to ON.
Marquee won't light up.	-Marquee power cord is not plugged in at the back of the monitor. -Marquee power cord is plugged into the wrong input.	-Make sure all Wires/Plugs are properly connected and all the way set in as directed in assembly instructions.
The game screen looks pixelated or there are lines running through the image.	-Wires/Plugs were hooked up incorrectly.	-Make sure all Wires/Plugs are properly connected and all the way set in as directed in assembly instructions. -You may need to RESET the game. Turn the ON/OFF switch to the OFF position. Unplug the game from the wall outlet and wait 60 seconds to RESET the game. Plug the game back in and turn the ON/OFF switch back to ON.
One of the buttons on the control deck is stuck in the down position.	-Debris may have gotten between the button and the button housing.	-Take something thin (like a business card) and place it between the button and the button housing and slide it back and forth to loosen the debris.
The gun(s) are not functioning.	-The cable could have come loose or were hooked up incorrectly.	-Make sure all wires/cables are properly connected and all the way set in as directed in assembly instructions.
The gun(s) are inaccurate.	-The gun(s) are not calibrated properly. -Too much light reflections on the screen. -You are standing too close to the screen.	-Follow the gun (calibration) instructions in the Owners Manual and calibrate your guns. -Avoid bright lights and reflections on the screen by relocating your cabinet to a dimmer location. -Maintain at least 15" (38cm) between the gun and the screen (Look at the game control section in Owners Manual)
You are not able to select games on the game selection menu.	-You are not using your gun to select game. -You might be pointing the gun too close to the LCD screen.	-Aim your gun and pull trigger to select game. -Make sure you are not too close to LCD screen. (Maintain a distance of at least 15" (38cm) from tip of gun and screen.)
You have entered the game, but you can't get the game to start.	-You may be pressing the wrong button to start the game. -Gun cables may have come loose.	-Look at the game control section in the instruction manual to make sure you are shooting the correct button to start the game. -Make sure gun cables are properly seated on back of monitor and at break away location near front of control deck.
You have entered the game, but you can't exit the game to get back to game selection menu.	-You may be pressing the wrong button to exit the game. -You may not be holding down the exit button long enough.	-Look at the game control section in the instruction manual to make sure you are pressing the correct button to exit the game. -Make sure you are holding the exit button down for 5 seconds to exit the game.
The game will not let me select 2 or 3 players for a chosen game.	-The game may only be a 1 or 2 player game.	-Refer to the game control section in the instruction manual to see how many players are able to play that game.

### COLLECT THEM ALL

Colors, style and decoration may vary.



visit [Arcade1up.com](http://Arcade1up.com)  
TO SIGN UP FOR OUR MAILING LIST AND SEE A COMPLETE LIST OF GAMES



Terminator 2: Judgment Day, T2, THE TERMINATOR, ENDOSKELETON, and any depiction of Endoskeleton are trademarks of STUDIOSCANAL S.A.S. All Rights Reserved. © 2021 STUDIOSCANAL S.A.S. \* All Rights Reserved.

MADE IN CHINA  
REV 08.31.21



### WARNING

To ensure safe operation of the product, be sure to read this Owners Manual before use. Keep this Owners Manual in a safe place for easy reference when needed.

AGES 14+

## OWNERS MANUAL



### WARNING

**READ BEFORE USING THE Arcade1UP SAFETY PRECAUTIONS**

The following symbols are used in labels on the game to draw attention to potentially hazardous situations:

**WARNING:** Failure to avoid the risk may result in death or serious injury

**Electrical Shock Hazard. Disconnect power before removing cover. Should only be done by a qualified technician.**

**WARNING:** To reduce the risk of fire or electric shock, do not expose this apparatus to rain or moisture.

1. Please read and comprehend all warnings stated in this manual.
2. Do not get arcade wet when cleaning.
3. Parents and guardians: Please read entire manual before allowing gamer to play.
4. The AC/DC adapter and apparatus shall not be exposed to dripping or splashing and that no object filled with liquids, such as vases, shall be placed on apparatus.  
The AC/DC adapter is used as disconnect device.  
The AC/DC adapter of apparatus should not be obstructed OR should be easily accessed during intended use. To be completely disconnect the power input, the AC/DC adapter of apparatus shall be disconnected from the mains.
5. If appliance is provided with protective earth terminal, it should be connected to main outlet with a protective earth connection.
6. Minimum distances 10 cm / 3.94 inches around the apparatus for sufficient ventilation.
7. The ventilation should not be impeded by covering the ventilation openings with items such as newspaper, table-cloths, curtains etc.
8. No naked flame sources such as lighted candles should be placed on the apparatus.
9. The apparatus should only be used in moderate climates.

### EPILEPSY WARNING

A very small percentage of individuals may experience epileptic seizures or blackouts when exposed to certain light patterns or flashing lights. Exposure to certain patterns or backgrounds on a television screen or when playing video games may trigger epileptic seizures or blackouts in these individuals. To reduce the risk of such a seizure incident, it is recommended to take a 10-15 minute break at each hour of playing.

### FCC/ISED STATEMENT

This device complies with part 15 of the FCC rules / Innovation, Science and Economic Development Canada's licence-exempt RSS(s). Operation is subject to the following two conditions: (1) This device may not cause harmful interference, and (2) this device must accept any interference received, including interference that may cause undesired operation.

Warning: Changes or modifications to this unit not expressly approved by the party responsible for compliance could void the user's authority to operate the equipment.

NOTE: This equipment has been tested and found to comply with the limits for a Class B digital device, pursuant to Part 15 of the FCC/ISED rules. These limits are designed to provide reasonable protection against harmful interference in a residential installation. This equipment generates, uses, and can radiate radio frequency energy and, if not installed and used in accordance with the instructions, may cause harmful interference to radio communications. However, there is no guarantee that interference will not occur in a particular installation. If this equipment does cause harmful interference to radio or television reception, which can be determined by turning the equipment off and on, the user is encouraged to try to correct the interference by one or more of the following measures:

- Reorient or relocate the receiving antenna.
- Increase the separation between the equipment and receiver.
- Connect the equipment into an outlet on a circuit different from that to which the receiver is connected.
- Consult the dealer or an experienced radio / TV technician for help.

**WARNING: Arcade1UP assumes no liability for improper installation or excessive loads placed on screws or bracket. This wall anchor is not a substitute for proper adult supervision.**

### IMPORTANT SAFETY INSTRUCTIONS

1. Read these Instructions.
2. Keep these Instructions.
3. Heed all Warnings.
4. Follow all instructions.
5. Do not use this apparatus near water.
6. Clean only with a dry cloth.
7. Do not block any ventilation openings. Install in accordance with the manufacturer's instructions.
8. Do not install near any heat sources such as radiators, heat registers, stoves, or other apparatus (including amplifiers) that produce heat.
9. Do not defeat the safety purpose of the polarized or grounding - type plug. A polarized plug has two blades with one wider than the other. A grounding type plug has two blades and a third grounding prong. The wide blade or the third prong are provided for your safety. When the provided plug does not fit into your outlet, consult an electrician for replacement of the obsolete outlet.
10. Protect the power cord from being walked on or pinched particularly at plugs, convenience receptacles, and the point where they exit from the apparatus.
11. Only use attachments/accessories specified by the manufacturer.
12. Unplug this apparatus during lightning storms or when unused for long periods of time.
13. Refer all servicing to qualified service personnel. Servicing is required when the apparatus has been damaged in any way, such as power-supply cord or plug is damaged, liquid has been spilled or objects have fallen into the apparatus, the apparatus has been exposed to rain or moisture, does not operate normally, or has been dropped.  
Use only with a riser specified by the manufacturer, or sold with the apparatus. When a riser is used, use caution when moving the riser/apparatus combination to avoid injury from tip-over.  
The equipment shall be used at working ambient temperature 32° - 95°F (0° - 35°C).  
TIP OVER HAZARD - This apparatus should secure in place by using the provided mounting means. Free standing is capable of resulting in instability causing possible injury. Refer to the installation instruction for detail.
- 14.
- 15.
- 16.

### INSTALLATION

This game is designed for indoor and personal use only. It must not be installed outdoors. The following conditions must be avoided.

1. Direct exposure to sunlight, high humidity, direct water contact, dust, high heat, or extreme cold.
2. Vibration. The game must be installed on a level surface.  
Do not install in an area such that the game would present an obstacle in case of an emergency (i.e., near fire equipment or emergency exits).

### SPECIFICATIONS

This product is intended for use only with the adapter provided.  
Manufacturer: Blue Iron Holdings Ltd.  
Model: B136-120300-U2

**POWER SUPPLY:** AC/DC Adapter  
**INPUT POWER:** AC 100-240V ~50/60Hz 1.2A Max  
**OUTPUT POWER:** DC12V --- 3A  
**MONITOR:** 17" LCD  
**CABINET ASSEMBLED DIMENSIONS (WITHOUT RISER):** 53.5" x 18.75" x 23" (135cm x 47.6cm x 58.4cm)

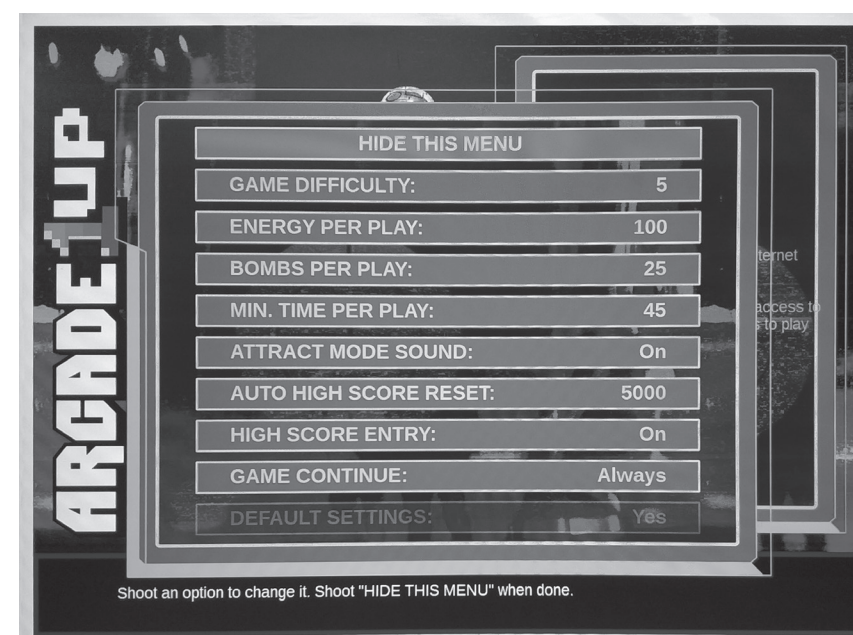
- The AC/DC adapter is used as disconnect device.
- The AC/DC adapter of apparatus should not be obstructed OR should be easily accessed during intended use.
- To completely disconnect the power input, the AC/DC adapter of apparatus shall be disconnected from the mains.

### ASSISTANCE OR SERVICE

Before contacting us for assistance or service, please check the "Troubleshooting" section in the User Manual. If you still have questions regarding your Arcade1Up product or require technical support. Contact Arcade1Up Customer Service at [www.Arcade1Up.com](http://www.Arcade1Up.com) and click on "Support".

### GAME SETTINGS

1. PRESS GUN 1 START OR GUN 2 START BUTTON TO BRING UP GAME MENU
2. AIM YOUR GUN AND PULL TRIGGER TO SELECT GAME SETTINGS
3. AIM YOUR GUN AND PULL TRIGGER TO ADJUST SETTINGS
4. SELECT "DEFAULT SETTINGS" THEN PULL TRIGGER TO RETURN THE GAME TO ITS ORIGINAL STATE
5. SELECT "HIDE THIS MENU" THEN PULL TRIGGER TO SAVE & EXIT



Shoot an option to change it. Shoot "HIDE THIS MENU" when done.



### CAUTION

Servicing instructions are for use by qualified service personnel only. To reduce the risk of electric shock, do not perform any servicing other than that contained in the operating instructions unless you are qualified to do so.

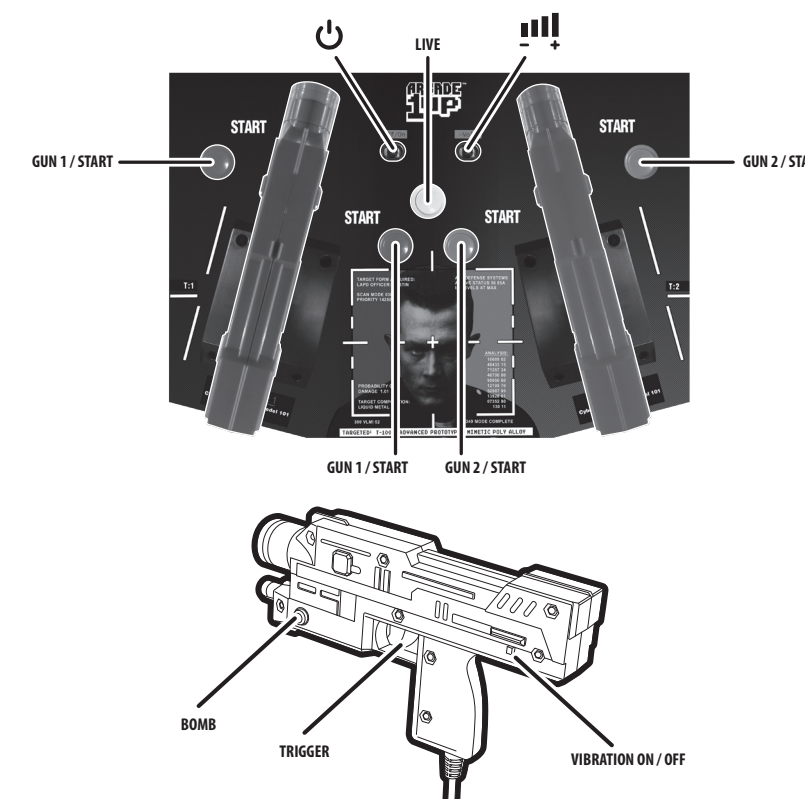
ALL PICTURES SHOWN ARE FOR ILLUSTRATION PURPOSE ONLY. ACTUAL PRODUCT MAY VARY DUE TO PRODUCT ENHANCEMENT.

### GAME CONTROLS

\*ARCADE MAY TAKE 10-15 SECONDS TO POWER ON AFTER SWITCHING ON

1. PRESS GUN 1 START OR GUN 2 START BUTTON TO BRING UP GAME MENU
2. AIM YOUR GUN AND PULL TRIGGER TO SELECT GAME
3. FOLLOW GAME CONTROLS BELOW FOR EACH GAME
4. PRESS LIVE BUTTON TO BRING UP ADJUSTMENT MENU AND EXIT CURRENT GAME

**NOTE: AVOID BRIGHT LIGHTS AND REFLECTIONS ON THE SCREEN.**



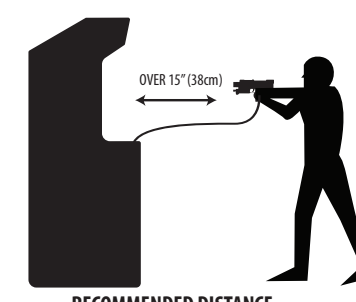
### GUN CALIBRATION

Gun Calibration is used to adjust the sighting and accuracy of the gun. Follow the on-screen instructions to correctly calibrate your gun.

#### HOW TO CALIBRATE YOUR GUN:

1. Turn machine ON.
2. Hold down GUN1 start button and GUN2 start button at the same time for 5 seconds to bring up the adjustment menu.
3. Navigate to "GUN CALIBRATION" using the gun trigger.
4. Press GUN1 start button to confirm.
5. Follow on-screen instructions.

NOTE: Keep the gun at least 15" (38cm) away from the cabinet and be sure the gun is positioned in the center of the screen.



RECOMMENDED DISTANCE