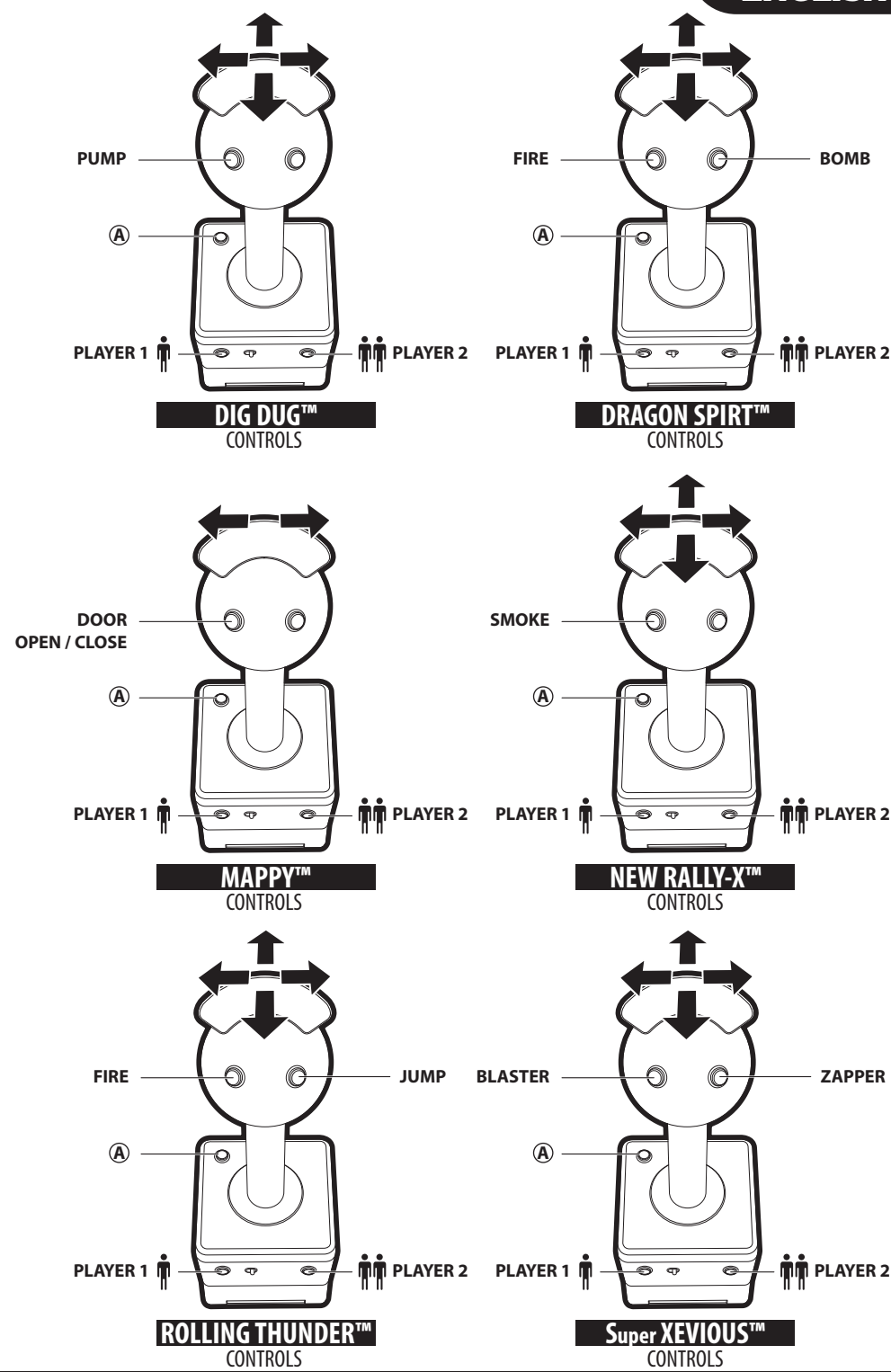
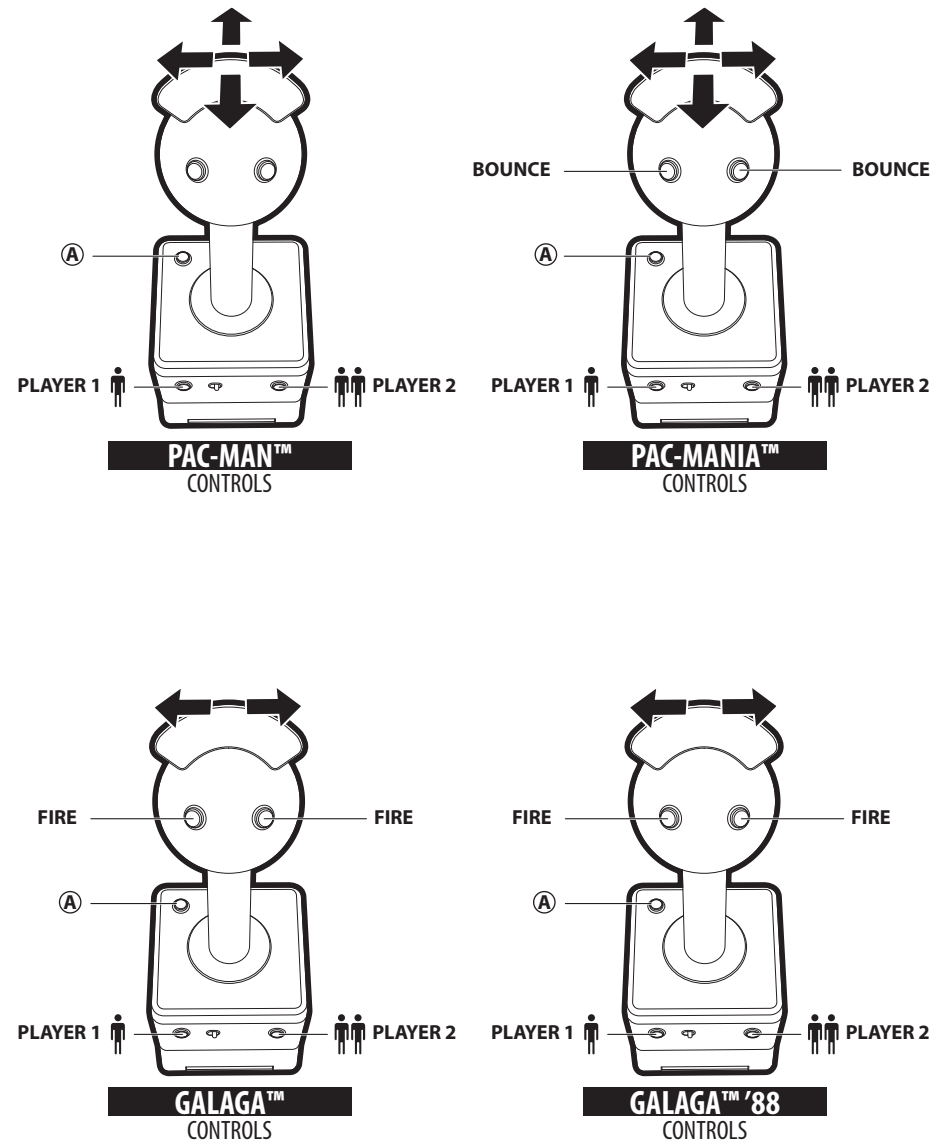


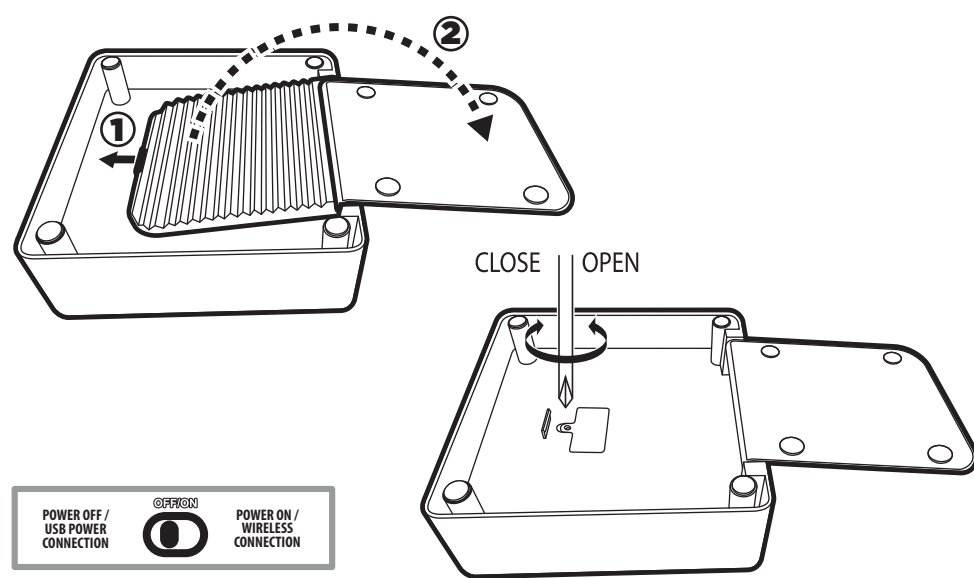
GAME CONTROLS

1. MOVE JOYSTICK TO SCROLL THROUGH GAME LIST
2. PRESS (A) BUTTON TO CHOOSE GAME
3. FOLLOW GAME CONTROLS BELOW FOR EACH GAME
4. HOLD SELECT / PLAYER 1 (5 SECONDS) TO RETURN TO MENU AND TO SAVE A HIGH SCORE
5. HOLD START / PLAYER 2 (5 SECONDS) TO RESET GAME



BATTERY INSTALLATION

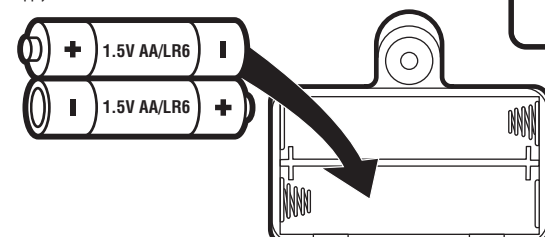
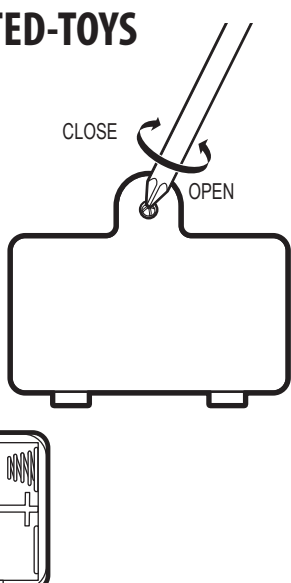
1. Please make sure the controller is turned OFF or in Auto Off mode.
2. Pull the locking slot on the bottom of Giant Joystick and flip the Foot Step.
3. Remove battery box cover.
4. Insert 2 AA alkaline batteries in the battery box as illustrated making certain that negative (-) and positive (+) poles are positioned properly.
5. Replace battery box cover - be sure not to over-tighten the screw.



WARNING - BATTERY-OPERATED-TOYS

BATTERY SAFETY NOTICE

1. Non-rechargeable batteries are not to be recharged.
2. Rechargeable batteries are to be removed from the device before being charged (if removable).
3. Rechargeable batteries are only to be charged under adult supervision.
4. Do not mix old and new batteries.
5. Do not mix alkaline, standard (carbon-zinc), or rechargeable batteries.
6. Only batteries of the same or equivalent types, as recommended are to be used.
7. Batteries are to be inserted with the correct polarity.
8. Remove batteries before storing.
9. Exhausted batteries are to be removed from the device.
10. Always use alkaline batteries.
11. Do not dispose of batteries in fire, batteries may explode or leak.
12. The supply terminal are not to be short-circuited.



NOTE: All packaging materials should be removed by adult before giving this product to the children!

WARNING THE EPILEPSY

A very small percentage of individuals may experience epileptic seizures or blackouts when exposed to certain light patterns or flashing lights. Exposure to certain patterns or backgrounds on a television screen or when playing video games may trigger epileptic seizures or blackouts in these individuals. To reduce the risk of such a seizure incident, it is recommended to take a 10-15 minute break at each hour of playing.

FEATURES

- 2.4 GHz wireless Giant Joystick
- Includes HDMI and USB* cables
- Up to 25 ft. (7.6m) gaming range.

SETTING UP GAME CONSOLE

1. Connect HDMI cable to TV and Game Console. (make sure the devices are OFF).
 2. Connect Micro USB cable (Included) to USB power supply to power ON the game console.
 3. Press Power Button on top of Game Console to power ON. The power indicator light on top of Game Console will light up RED and then TV will enter the game.
- NOTE: Make sure your TV is on the correct HDMI auxiliary input.

NOTE:

- On the wireless mode, Giant Joystick goes to Sleep mode after 3 minutes of inactivity (the red LED on the Giant Joystick will go OFF, Press Left or Right Action button to wake up the Giant Joystick)
- When you switch to Wireless Connection and connected Micro USB cable to Giant Joystick, USB Power Connection mode is priority.
- If battery voltage is insufficient (lower than 2.4V), the red LED on the Giant Joystick will flash slowly to prompt the battery need to be replaced.
- Shielded cables must be used with this unit to ensure compliance with the Class B FCC limits.

This device contains licence-exempt transmitter(s)/receiver(s) that comply with Innovation, Science and Economic Development Canada's licence-exempt RSS(s).

Operation is subject to the following two conditions:

1. This device may not cause harmful interference.
2. This device must accept any interference received, including interference that may cause undesired operation of the device.

FCC STATEMENT

This device complies with part 15 of the FCC rules. Operation is subject to the following two conditions: (1) This device may not cause harmful interference, and (2) this device must accept any interference received, including interference that may cause undesired operation.

Warning: Changes or modifications to this unit not expressly approved by the party responsible for compliance could void the user's authority to operate the equipment.

This equipment has been tested and found to comply with the limits for a Class B digital device, pursuant to Part 15 of the FCC rules. These limits are designed to provide reasonable protection against harmful interference in a residential installation. This equipment generates, uses, and can radiate radio frequency energy and, if not installed and used in accordance with the instructions, may cause harmful interference to radio communications. However, there is no guarantee that interference will not occur in a particular installation. If this equipment does cause harmful interference to radio or television reception, which can be determined by turning the equipment off and on, the user is encouraged to try to correct the interference by one or more of the following measures:

- Reorient or relocate the receiving antenna.
- Increase the separation between the equipment and receiver.
- Connect the equipment into an outlet on a circuit different from that to which the receiver is connected.
- Consult the dealer or an experienced radio / TV technician for help.

ASSISTANCE OR SERVICE

If you have questions regarding your Arcade1Up product or require technical support, contact Arcade1Up Customer Service at www.Arcade1Up.com and click on "Support".

CONNECTING YOUR CONTROLLER

YOU CAN CONNECT YOUR GIANT JOYSTICK TO THE GAME CONSOLE 2 WAYS! (WIRELESS / USB POWER CONNECTION)

WIRELESS CONNECTION

1. Make sure the power of Giant Joystick is OFF.
2. Insert two 1.5V AA batteries into the battery compartment.
3. Turn ON the power switch on the Game Console, Giant Joystick and TV (indicator light on Game Console & Giant Joystick will light up RED).
4. Use Giant Joystick to select game and press "A" button to enter the game you selected, then you can see the game controls.
5. Hold "Player 1" button for 5 seconds to return to main menu and hold "Player 2" button for 5 seconds to reset the game.

For the second Giant Joystick connection:

1. Make sure the first Giant Joystick is ON and the power of the second Giant Joystick is OFF.
2. Insert two 1.5V AA batteries into the battery compartment.
3. Hold "Player 1" and "A" buttons at the same time then turn ON the power switch of second Giant Joystick (indicator light will light up flashing RED), then turn OFF the first Giant Joystick.
4. Once the second Giant Joystick connected successfully, indicator light will light up RED, then turn ON the first Giant Joystick.

USB POWER CONNECTION

1. Slide power switch to OFF position.
2. Use Micro USB cable (not included) to connect Giant Joystick to the Game Console. If the red light on Giant Joystick is always ON, the connection is successful.
3. Use Giant Joystick to select game and press "A" button to enter the game you selected, then you can see the game controls.
4. Hold "Player 1" button for 5 seconds to return to main menu and hold "Player 2" button for 5 seconds to reset the game.

For the second Giant Joystick connection:

1. Make sure the second Giant Joystick has been connected successfully wirelessly.
2. Slide power switch to OFF position.
3. Use Micro USB cable (not included) to connect second Giant Joystick to the game console. If the red light on second Giant Joystick is always ON, the connection is successfully.

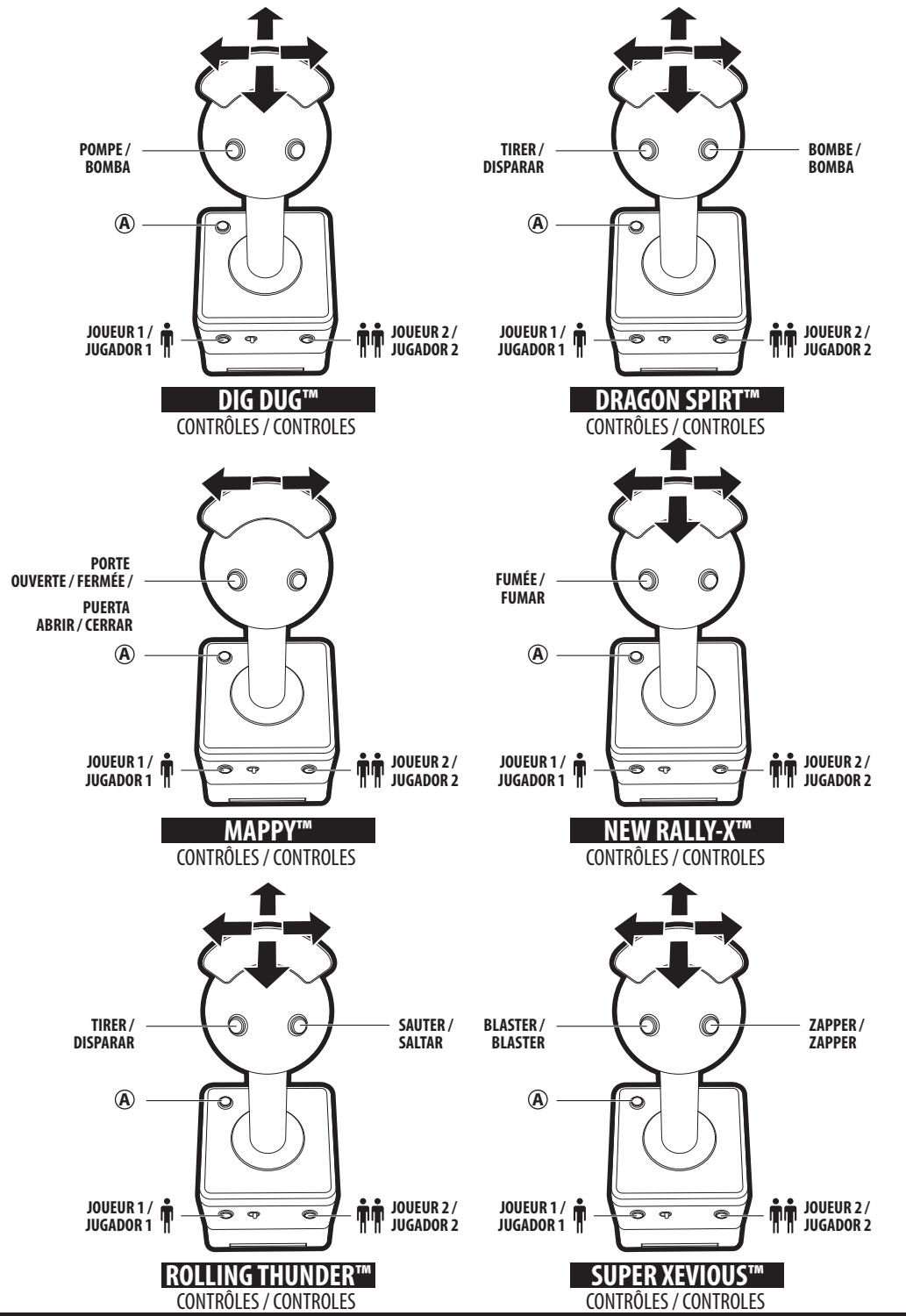
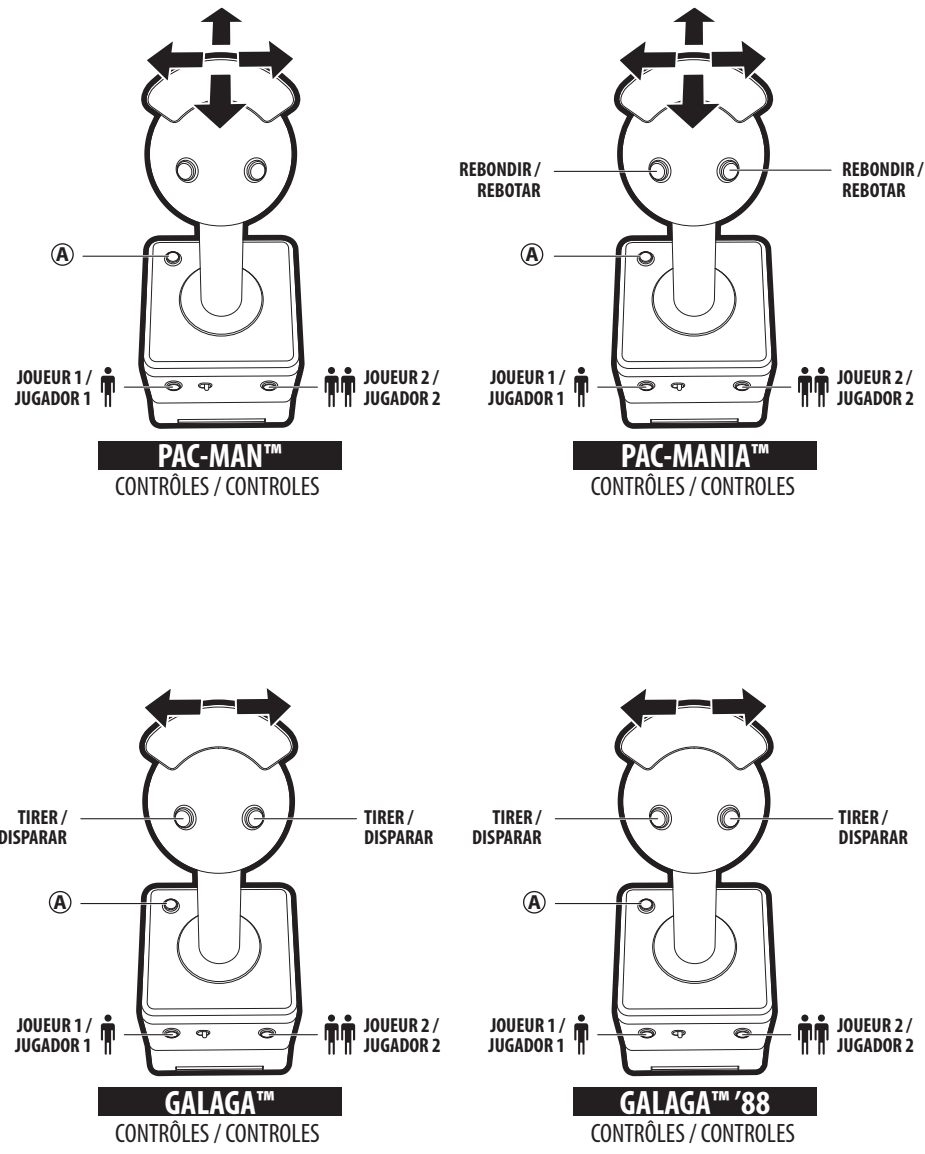


NOTE:

Turn the Giant Joystick power switch to the left if you use wired connection. Turn to the right if you use wireless connection.

CONTRÔLES DU JEU / CONTROLES DEL JUEGO

- 1. DÉPLACER LE JOYSTICK POUR FAIRE DÉFILER LA LISTE DES JEU... 2. APPUYEZ SUR LE BOUTON (A) POUR CHOISIR LE JEU... 3. SUIVEZ LES CONTRÔLES DU JEU CI-DESSOUS POUR CHAQUE JEU... 4. TENIR LE JOUEUR 1 (5 SECONDES) POUR RETOURNER AU MENU... 5. TENIR LE JOUEUR 2 (5 SECONDES) POUR RÉINITIALISER LE JEU...



Advertisement for Arcade1Up featuring Pac-Man, Mickey Mouse, and Atari titles. Includes text: 'AUTRES TITRES DISPONIBLE OTROS TÍTULOS DISPONIBLE', 'FABRIQUÉ EN CHINE / FABRICADO EN CHINA', and 'Visitez / Vistar Arcade1up.com'.

ARCADÉ1UP™ JOYSTICK GÉANT SANS FIL AVEC CONSOLE DE JEU HDMI / JOYSTICK GIANTE INALÁMBRICO CON CONSOLA HDMI GAME

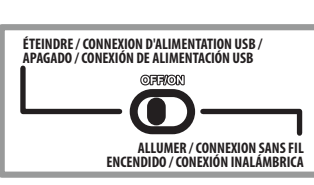
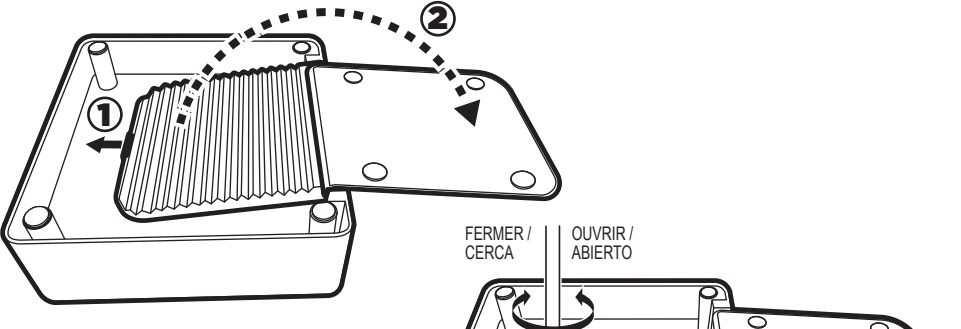


ATTENTION / ADVERTENCIA. Afin de garantir le bon fonctionnement du produit, veuillez lire le manuel de fonctionnement avant utilisation. Para garantizar el funcionamiento seguro del producto, asegúrese de leer este manual de funcionamiento antes de usar.

Owner's Manual

INSTALLATION DE LA BATTERIE / INSTALACIÓN DE LA BATERÍA

- 1. Veuillez vous assurer que le contrôleur est éteint... 2. Tirez sur la fente de verrouillage... 3. Retirez le couvercle du boîtier de la batterie... 4. Insérez 2 piles alcalines AA dans le boîtier de piles...



- AVERTISSEMENT - JOUETS À BATTERIE ADVERTENCIA: JUGUETES A BATERIA. Avis de sécurité sur la batterie / Aviso de seguridad de la batería. 1. Les piles non rechargeables ne doivent pas être rechargées... 2. Les piles rechargeables doivent être retirées de l'appareil avant d'être chargées...

AVERTISSEMENT L'ÉPILEPSIE / ADVERTENCIA DE LA EPILEPSIA. Un très faible pourcentage d'individus peut subir des crises d'épilepsie... FONCTIONNALITÉS / CARACTERISTICAS: Contrôleur sans fil 2.4 GHz, comprend des câbles HDMI et USB.

CONFIGURATION DE LA CONSOLE DE JEU / CONFIGURACIÓN DE LA CONSOLA DE JUEGO

- 1. Connectez le câble HDMI au téléviseur et à la console de jeu... 2. Connectez le câble micro USB (inclus) à l'alimentation USB... 3. Appuyez sur le bouton d'alimentation haut de la console de jeu pour allumer.

REMARQUE / NOTA: En mode sans fil, le joystick géant passe en mode veille après 3 minutes d'inactivité... Des câbles blindés doivent être utilisés avec cet appareil pour garantir la conformité aux limites de la classe B FCC.

Cet appareil contient des émetteurs / récepteurs exempts de licence... Son fonctionnement est soumis aux deux conditions suivantes: 1. Cet appareil ne doit pas provoquer d'interférences nuisibles... 2. Cet appareil doit accepter toutes les interférences reçues...

DÉCLARATION FCC / DECLARACIÓN DE LA COMISIÓN FEDERAL DE COMUNICACIONES. Cet appareil répond à la partie 15 de la réglementation FCC... Déclaration de conformité FCC / Declaración de conformidad FCC.

CONNECTION DE VOTRE CONTRÔLEUR / CONECTANDO SU CONTROLADOR. Diagrams showing how to connect the joystick controller to the console via USB and how to connect the console to a TV via HDMI. Includes text: 'CONNEXION SANS FIL / CONEXIÓN INALÁMBRICA', 'CONNEXION D'ALIMENTATION USB', and 'ASSISTANCE OU SERVICE / ASISTENCIA O SERVICIO'.

CONNEXION DE VOTRE CONTRÔLEUR / CONECTANDO SU CONTROLADOR

- 1. Assurez-vous que l'alimentation du joystick géant est désactivée... 2. Insérez deux piles AA de 1,5 V dans le compartiment à piles... 3. Allumez l'interrupteur d'alimentation de la console de jeu...

Pour la deuxième connexion du joystick géant / Para la segunda conexión del joystick gigante: 1. Assurez-vous que le premier joystick géant est allumé... 2. Insérez deux piles AA de 1,5 V dans le compartiment à piles...

CONNEXION D'ALIMENTATION USB / CONEXIÓN DE ALIMENTACIÓN USB

- 1. Faites glisser l'interrupteur d'alimentation en position OFF... 2. Utilisez un câble micro USB (non inclus) pour connecter le joystick géant à la console de jeu... 3. Utilisez le joystick géant pour sélectionner le jeu...

Pour la deuxième connexion du joystick géant / Para la segunda conexión del joystick gigante: 1. Assurez-vous que le deuxième joystick géant a été connecté avec succès... 2. Faites glisser l'interrupteur d'alimentation en position OFF...

