

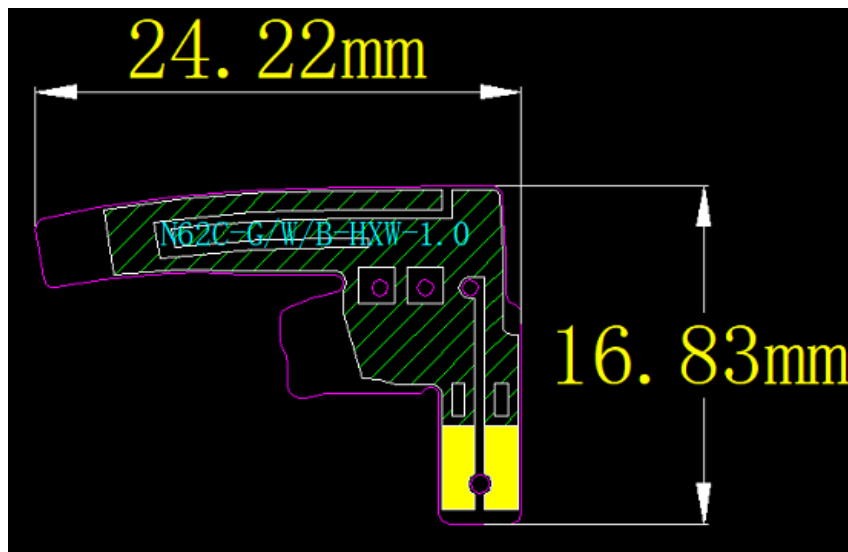
# Antenna Specification

## Specifications

### Summary

ITEM	SPEC.
Model Name	N62C-WIFI/BT
Center Frequency	2400MHz 1.1dBi 2450MHz 1.31dBi 2500MHz 1.72dBi
MAX. GAIN	1.72 dBi
Polarization	Horizontal
Azimuth Beam Pattern	Omni-directional
Impedance	50 $\Omega$
Antenna type	PIFA Antenna

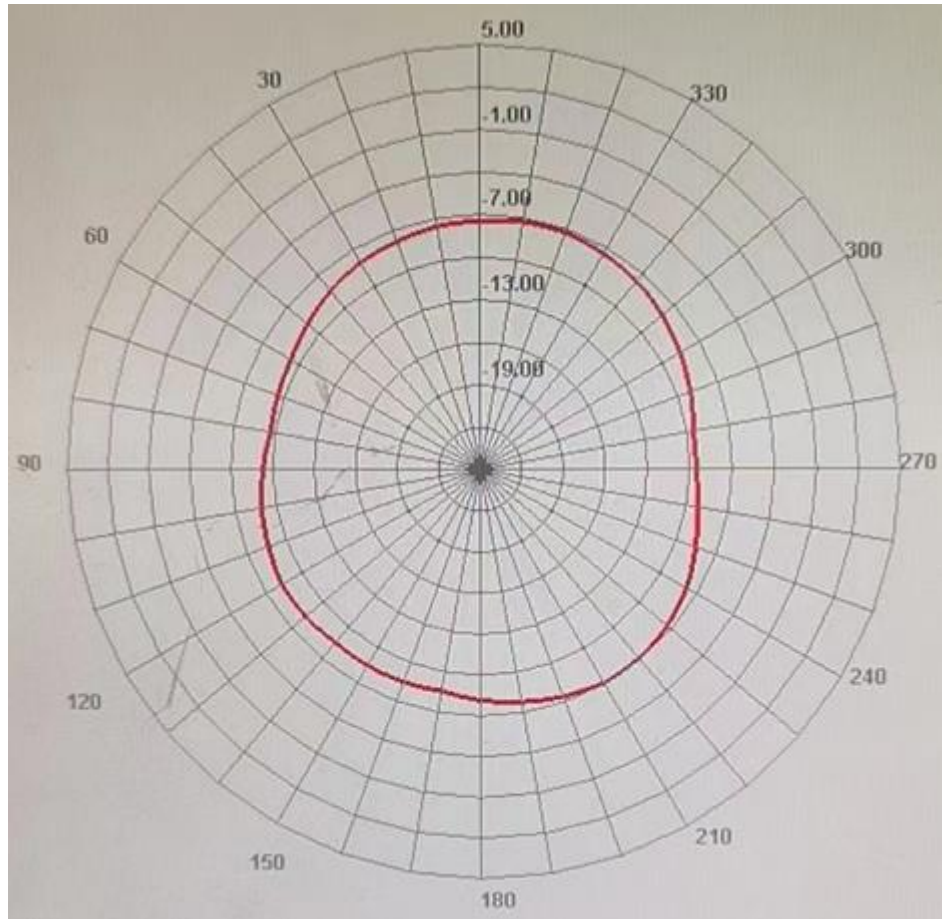
### AntennaPhoto&Length (mm)



1. Main antenna : 2400MHz

1.1

Horizontal



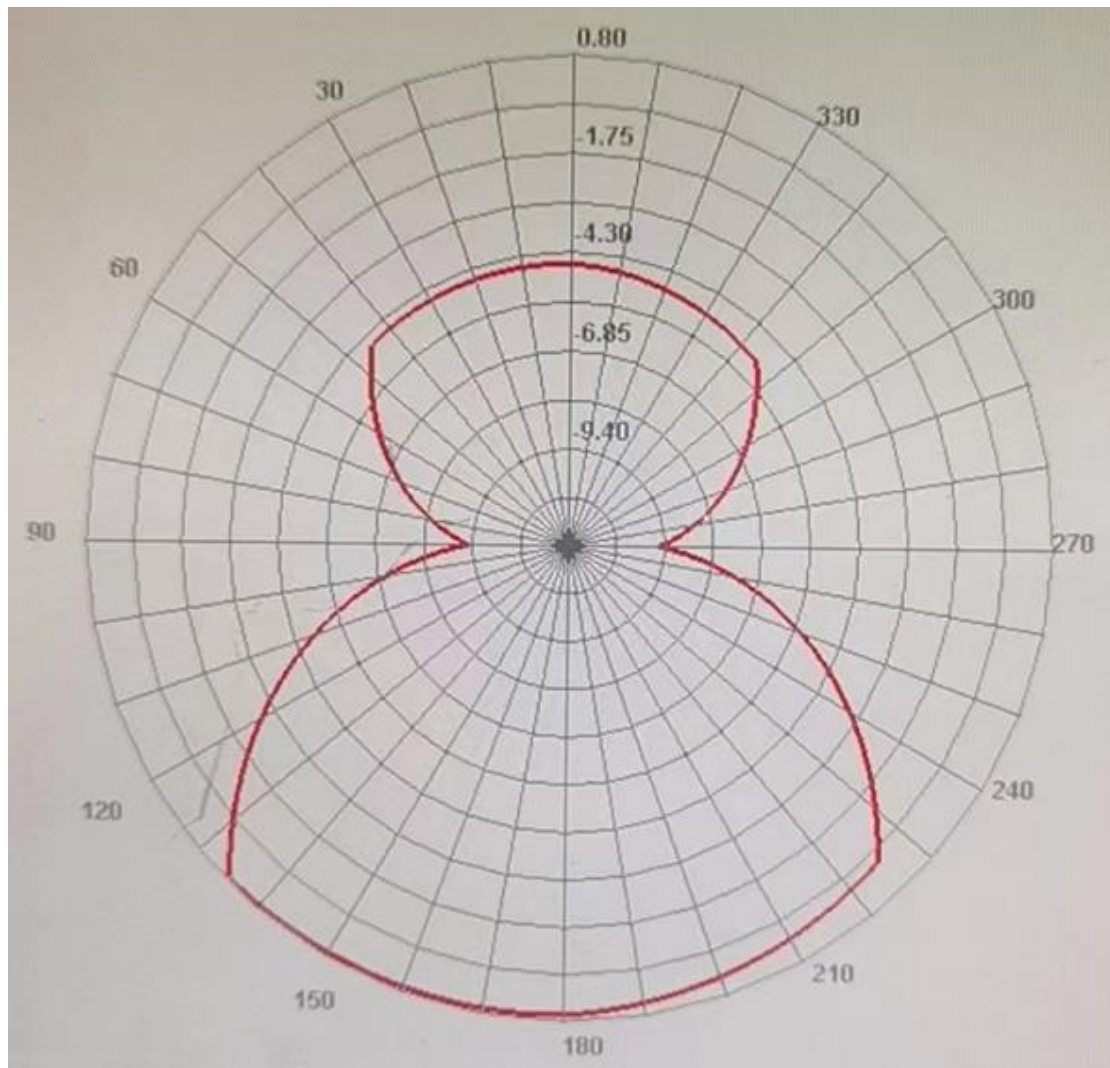
Frequency (MHZ) : 2400      Antenna Polarity: Horizontal

Maximum Value (dBi) : 1.1

Average Gain (dBi) : -1.05

Minimum Gain (dBi) : -13.99

## 1.2 Vertical



Frequency (MHZ) : 2400 Antenna Polarity: Vertical

Maximum Value (dBi) : -0.97

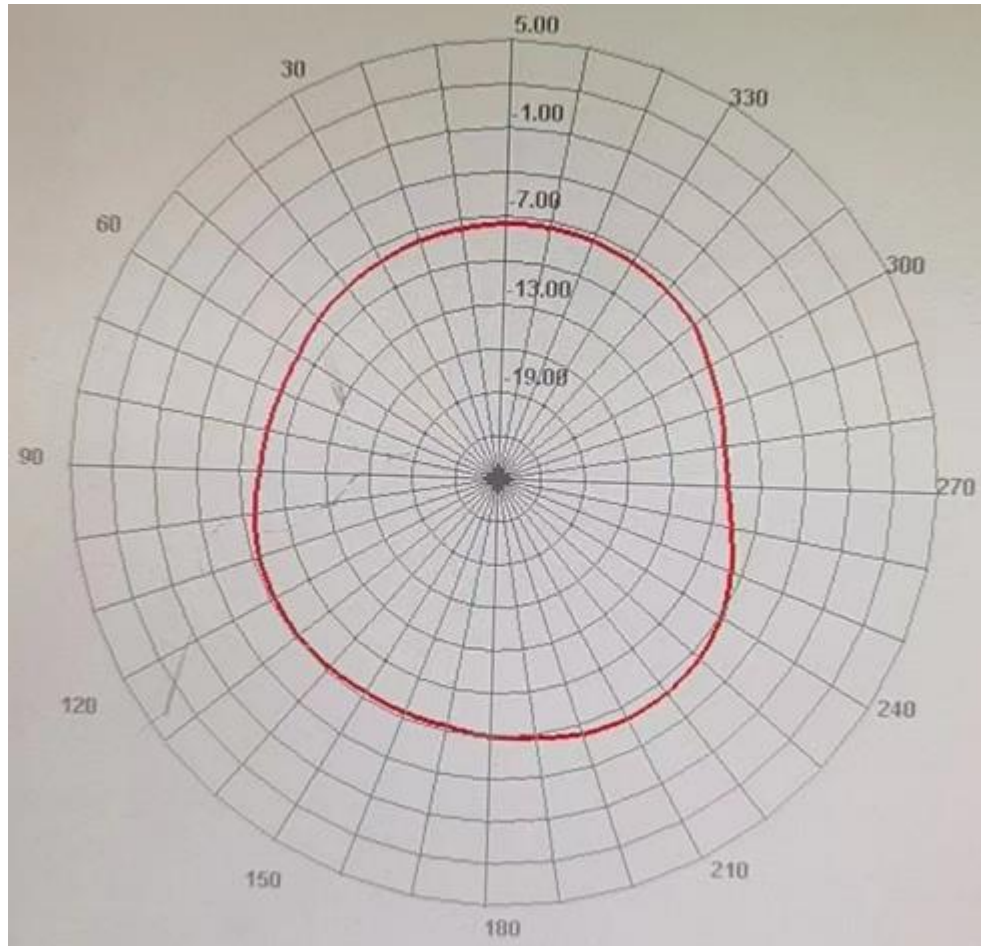
Average Gain (dBi) : -1.18

Minimum Gain (dBi) : -13.87

2. Main antenna : 2451 MHz

2.1

Horizontal



Frequency (MHZ) : 2450      Antenna Polarity: Horizontal

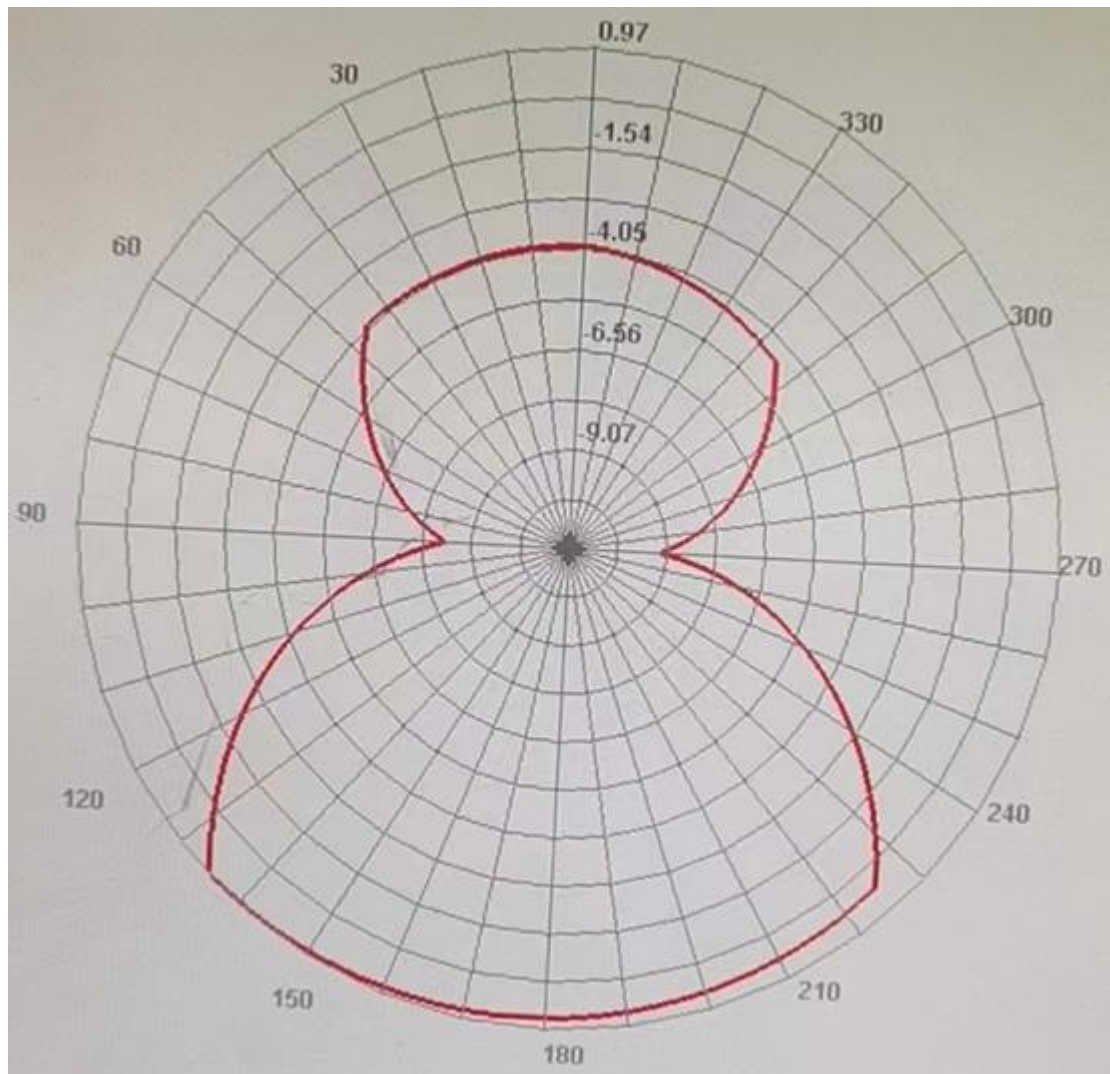
Maximum Value (dBi) : 1.31

Average Gain (dBi) : -0.84

Minimum Gain (dBi) : -14.47

2.2

Vertical



Frequency (MHZ) : 2450 Antenna Polarity: Vertical

Maximum Value (dBi) : 1.22

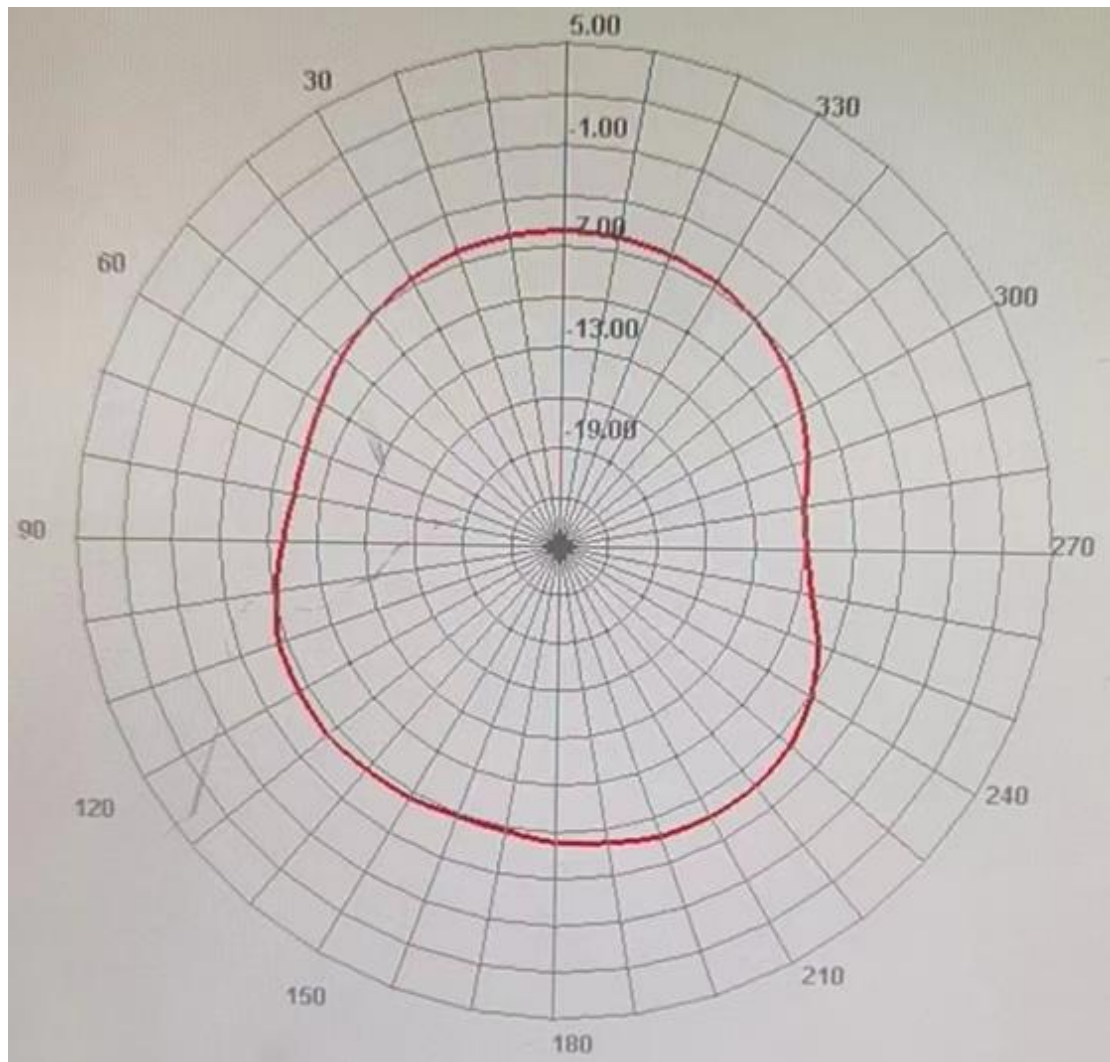
Average Gain (dBi) : -0.93

Minimum Gain (dBi) : -14.38



3. Main antenna : 2475MHz

### 3.1 Horizontal



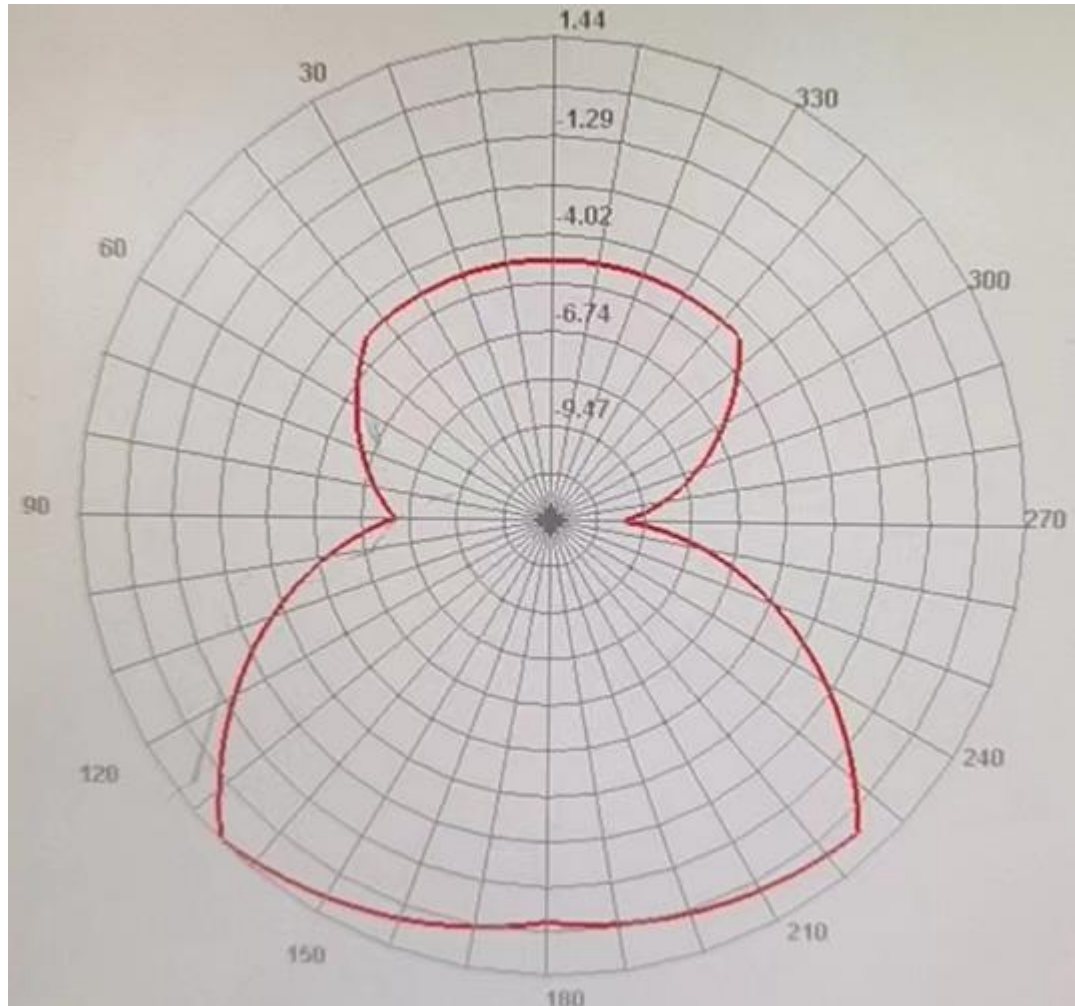
Frequency (MHZ) : 2500 Antenna Polarity: Horizontal

Maximum Value (dBi) : 1.72

Average Gain (dBi) : -0.43

Minimum Gain (dBi) : -14.11

### 3.2 Vertical



Frequency (MHZ) : 2500 Antenna Polarity: Vertical

Maximum Value (dBi) : 1.13

Average Gain (dBi) : -1.02

Minimum Gain (dBi) : -15.13