

INSTALOCK

Instalock/Lock Adapter
Model:1001

Congratulations on purchasing the Instalock remote control unit for your existing thumb-turn deadbolt lock.

The Instalock unit works on existing deadbolts by transforming your existing lock into a remote-controlled door lock. Installation is simple with **NO TOOLS REQUIRED**.

BOTH YOUR DOOR KEY AND YOUR THUMB-TURN WILL OPERATE YOUR DOOR LOCK MANUALLY. WE RECOMMEND THAT YOU ALWAYS CARRY YOUR KEY WITH YOU WHEN LEAVING YOUR HOME. ALWAYS MAKE SURE TO CHECK YOUR DOOR IS LOCKED WHEN USING YOUR INSTALOCK REMOTE CONTROL UNIT TO LOCK YOUR DOOR.

THE INSTALOCK UNIT WILL NOT FUNCTION CORRECTLY IF YOU HAVE TO PUSH OR PULL YOUR DOOR WHEN USING YOUR KEY TO OPEN OR LOCK YOUR DOOR. PLEASE CONSULT A PROFESSIONAL TO ADJUST YOUR EXISTING LOCK MECHANISM SO THAT YOUR EXISTING DOOR LOCK OPERATES SMOOTHLY. FOR VIDEO INSTRUCTIONS GO TO WWW.INSTALOCK.COM

CONTENTS:

- 1 Instalock unit
- 1 Metal Plate with adhesive strips (attached to unit)
- 1 Remote control
- 4 AA Batteries
- 4 Adhesive Strips
- 2 Sticky tabs

METAL DOOR SURFACES

To determine if you have a metal door, hold the Instalock unit against the doors surface. If you feel a magnetic pull towards the door, then you may proceed to install the Instalock unit as follows:

STEP 1. Remove the metal plate from the back of the unit. **(FIG.1)**

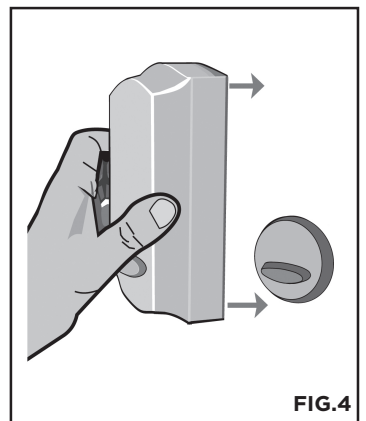
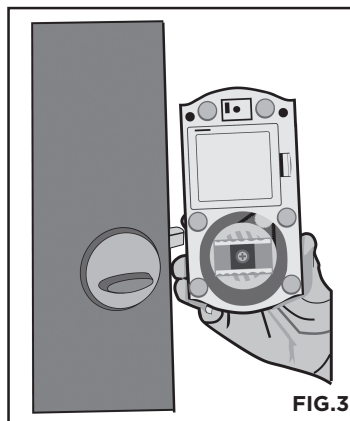
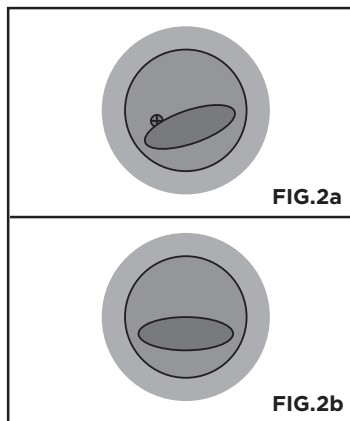
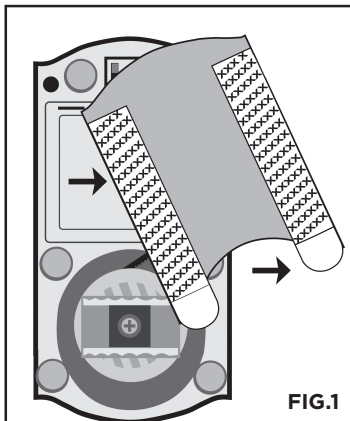
STEP 2. Turn the thumb-turn to its most horizontal position **(FIG.2a. FIG.2b)**

STEP 3. Align the thumb-turn with the corresponding C channel **(FIG.3)**

STEP 4. Attach the unit over your existing dead bolt thumb turn. Adjust the unit so that it aligns squarely with your doors surface, making sure the C channel fits over the thumb- turn.**(FIG. 4)**

STEP 5. Remove the Instalock unit from the metal door by turning the unit at an angle to release the magnetic attachment.

DO NOT pull the unit directly from the door. Slide the unit clockwise, or counter clockwise to release it easily from the doors surface.



NON-METAL DOOR SURFACES

STEP 1. Turn the thumb-turn to its most horizontal position. **(FIG.2a. FIG.2b)**

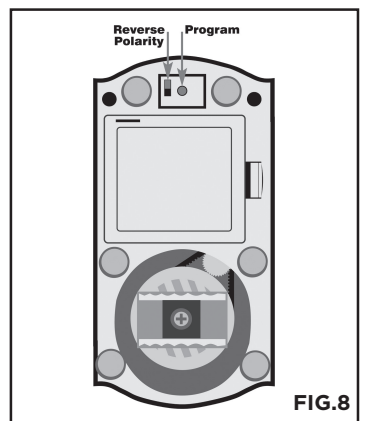
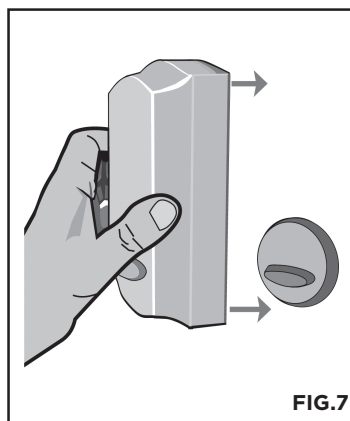
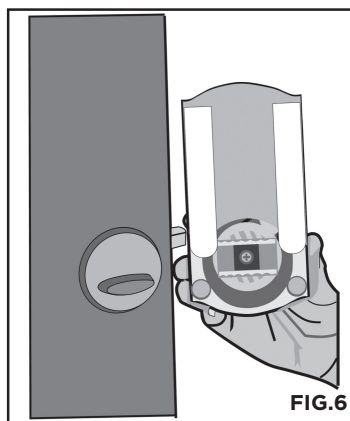
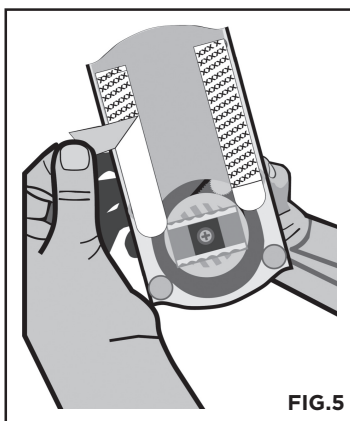
Practice aligning the C channel over the thumb-turn prior to removing the adhesive strips. It is important to make sure the C channel fits over the thumb turn and is horizontal to your doors surface prior to installing.

STEP 2. Remove the adhesive backing from the metal plate. **(FIG.5)**

STEP 3. Align the thumb-turn with the corresponding C channel. **(FIG.6)**

STEP 4. Make sure the C channel is aligned over the thumb- turn and the unit is aligned squarely to your doors surface. Press the unit firmly against the door surface for 10 seconds. **(Fig.7)** The metal plate should now be secured to your doors surface.

Step 5. Remove the Instalock unit from the metal plate by turning the unit at an angle to release the magnetic attachment. **DO NOT** pull the unit directly from the door. Slide the unit clockwise, or counterclockwise to release it easily from the doors surface. The metal plate should now be secured to your doors surface. **(FIG. 10)**



REMOTE PAIRING

After installing your Instalock unit to your doors surface, you are now ready to pair the unit to your remote control. The Instalock unit can pair with up to a maximum of 8 remotes. Pull the Instalock unit at an angle to release from the metal plate (or metal door). If your door is a non-metal door, the metal plate should be firmly attached to your doors surface.

STEP 1. Remove the battery tab from the battery compartment to activate the batteries.

STEP 2. Press and hold the program button for two seconds (**FIG. 8**), The red light on the front of the unit will turn red.

STEP 3. Press any key on the remote control, the LED light will flash 12 times. Once the LED light turns off, the remote is now paired to your unit.

STEP 4. Re-attach the unit to your doors surface. YOUR INSTALOCK IS NOW READY FOR USE!

POLARITY SWITCH SETTING

Home doors are both left-handed and right-handed. You may need to change the direction of the Instalock unit's function to accommodate your door lock opening the correct direction. If you have purchased a proximity remote control separately, or an Instalock 4 digit code box to open your door, you may need to change the polarity switch to attain the correct opening signal.

YOUR INSTALOCK UNIT COMES WITH A PRESS BUTTON REMOTE CONTROL. IF YOU WISH TO PURCHASE A PROXIMITY REMOTE, OR 4 DIGIT CODE BOX PLEASE VISIT INSTALOCK.COM

If you wish to use the round button on your remote control to open your door, you may need to change the polarity switch depending on whether your door is a left-hand or right hand-door.

CHANGING THE DIRECTION OF THE POLARITY SWITCH

1. Remove one battery from the unit.
2. Change the polarity switch (FIG.8)
3. Replace the battery
4. The Instalock unit will now turn in the opposite direction

CHANGING BATTERIES

The Instalock unit comes with 4 AA batteries.

You may change the batteries (Which are located in the battery compartment at the back of the unit) when the unit requires more than two presses of the remote control button to unlock your door.

UNIT MOVES WHEN ACTIVATED

If your unit should move slightly during operation, apply the enclosed sticky pads as follows:

Apply a sticky pad to the two upper magnets of the Instalock unit. Once you have applied the sticky pad to each magnet remove the top liner. Reattach the unit to your doors surface.

METAL PLATE REMOVAL

Place one hand on the metal plate to secure while removing.

Pull down on the exposed adhesive tabs at a 45 degree angle, making sure the surface of the adhesive strip remains flush against the door surface as you pull downwards. (**Fig.9**)

DO NOT ATTEMPT TO REMOVE THE METAL PLATE WITHOUT FOLLOWING THE INSTRUCTIONS. YOU MAY DAMAGE YOUR DOORS SURFACE WITHOUT FOLLOWING THE INSTRUCTIONS. GO TO INSTALOCK.COM FOR VIDEO INSTRUCTION.

100% SECURE

THE INSTALOCK REMOTE CONTROL UNIT USES THE SAME TECHNOLOGY AS YOUR AUTOMOBILE REMOTE CONTROL. THE INSTALOCK IS EQUIPPED WITH ROLLING CODE TECHNOLOGY. EACH TIME YOUR UNIT IS ACTIVATED THE CODE CHANGES TO A NEW ACCESS CODE.

WARNING: THE INSTALOCK UNIT CONTAINS STRONG MAGNETS. KEEP AWAY FROM CHILDREN UNTIL THE UNIT IS ATTACHED TO YOUR DOORS SURFACE.

WARNING: WHEN USING YOUR INSTALOCK REMOTE TO LOCK YOUR DOOR, ALWAYS CONFIRM THAT YOUR DOOR IS LOCKED.

Caution: Any changes or modifications to this device not explicitly approved by manufacturer could void your authority to operate this equipment.

Note: This equipment has been tested and found to comply with the limits for a Class B digital device, pursuant to part 15 of the FCC Rules. These limits are designed to provide reasonable protection against harmful interference in a residential installation. This equipment generates, uses and can radiate radio frequency energy and, if not installed and used in accordance with the instructions, may cause harmful interference to radio communications. However, there is no guarantee that interference will not occur in a particular installation.

If this equipment does cause harmful interference to radio or television reception, which can be determined by turning the equipment off and on, the user is encouraged to try to correct the interference by one or more of the following measures:

- Reorient or relocate the receiving antenna.
- Increase the separation between the equipment and receiver.
- Connect the equipment into an outlet on a circuit different from that to which the receiver is connected.
- Consult the dealer or an experienced radio/TV technician for help.

Caution: Changes or modifications not expressly approved by the party responsible for compliance could void the user's authority to operate the equipment.

