

# Antenna Technical

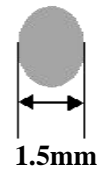
**Manufacturer:** SHANTOU CITY CHENGHAI JINGWEI INDUSTRIAL, CO., LTD.

**Address:** NANWAN INDUSTRIAL AREA, LIANNAN ROAD, CHENGHAI DISTRICT, SHANTOU, China

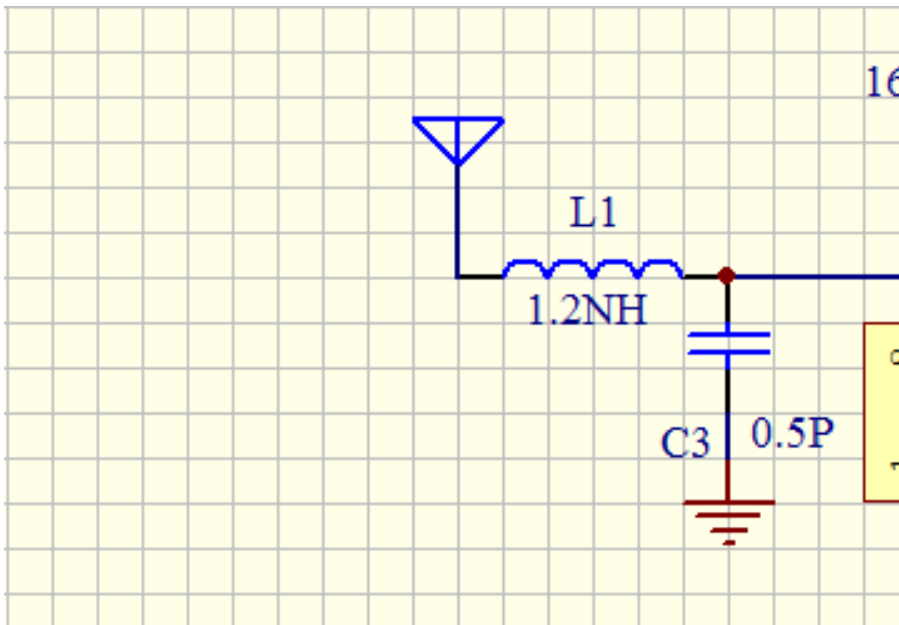
**Part Name:** 2.4GHz Antenna

**Model Name:** ZX2250 TX OR RX

## 1. Dimensions



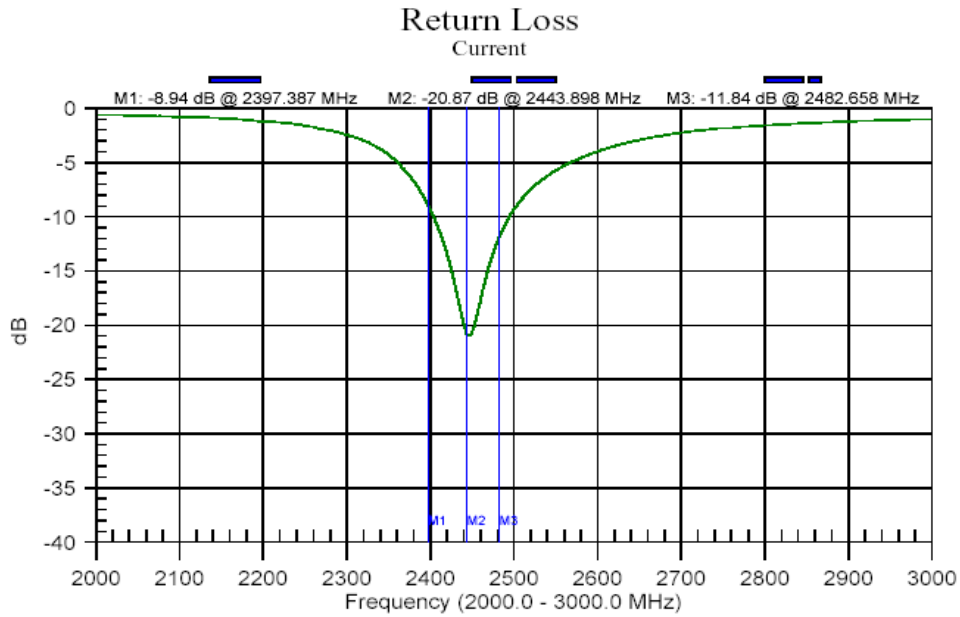
## Match Network



2. Electrical Characteristics

No.	Item	Specifications
1	Working Frequency	2400~2500MHz
2	Gain	0dBi
3	V.S.W.R (in BW)	<2.0
4	Polarization	Linear
5	Azimuth Beam width	Omni-directional
6	Impedance	50 Ω

3. Return Loss and Smith Chart



Resolution: 517  
Std: ---

FlexCAL:ON(COAX)  
Channel: N/A

CW: ON

