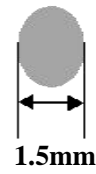


Antenna Technical

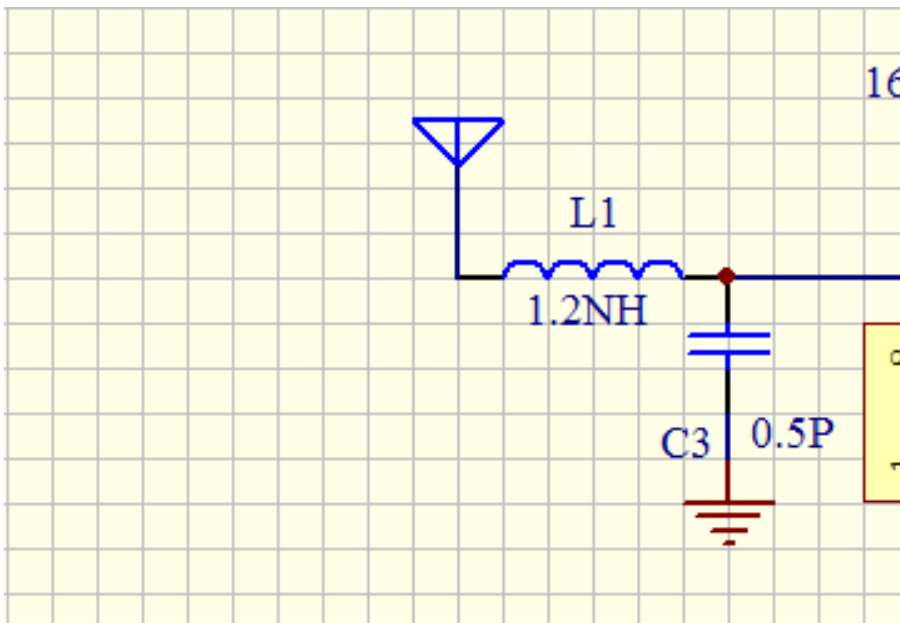
Part Name: 2.4GHz Antenna

Model Name: ZX2250 TX OR RX

1. Dimensions



Match Network

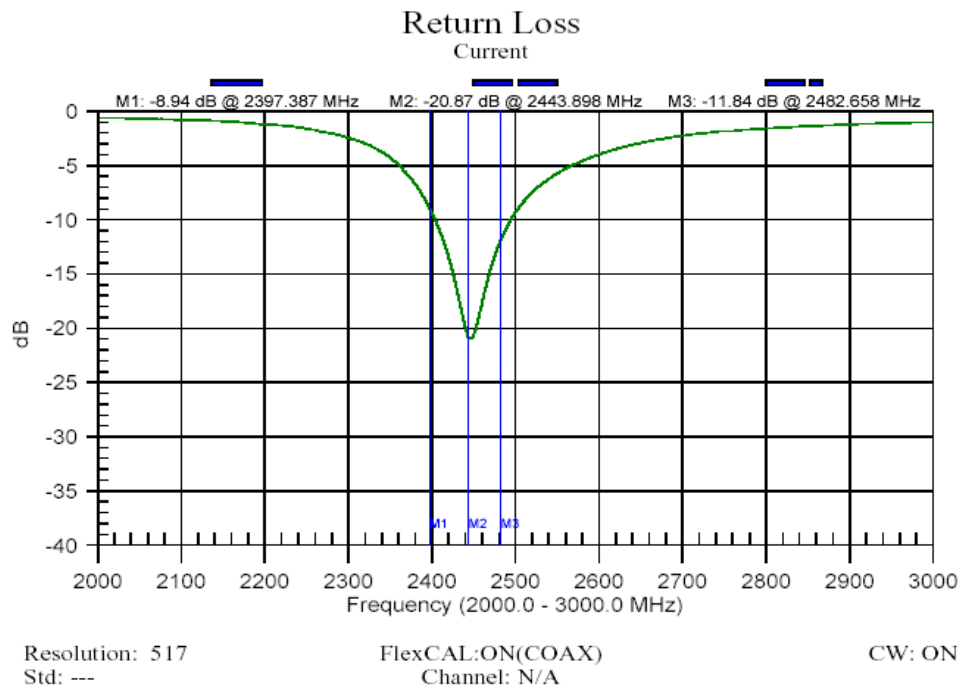


HK(ASIA) INT'L LTD

2. Electrical Characteristics

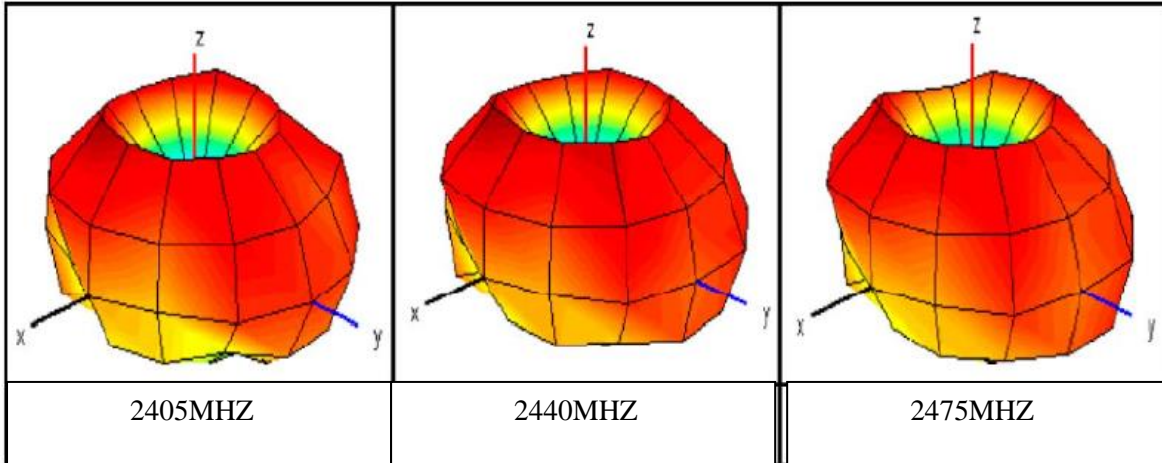
No.	Item	Specifications
1	Working Frequency	2400~2500MHz
2	Gain	0dBi
3	V.S.W.R (in BW)	<2.0
4	Polarization	Linear
5	Azimuth Beam width	Omni-directional
6	Impedance	50 Ω

3. Return Loss and Smith Chart



3D Radiation Pattern

3D Radiation Pattern



Frequency (GHz)	2.4GHz	2.41GHz	2.42GHz	2.43GHz	2.44GHz	2.45GHz	2.46GHz	2.47GHz	2.48GHz	2.5GHz
Efficiency(dB)	-5.1	-4.81	-4.60	-4.19	-4.00	-4.10	-3.78	-3.69	-3.81	-3.51
Efficiency(%)	52.98	55.36	58.09	63.39	66.01	65.09	70.01	70.26	68.74	73.51
Pick Gain (dBi)	0.00	-0.07	-0.11	-0.05	-0.01	-0.15	-0.03	0.00	-0.06	-0.10