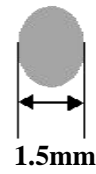
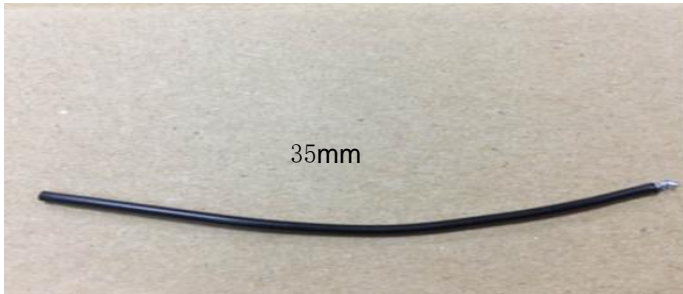


Antenna Technical

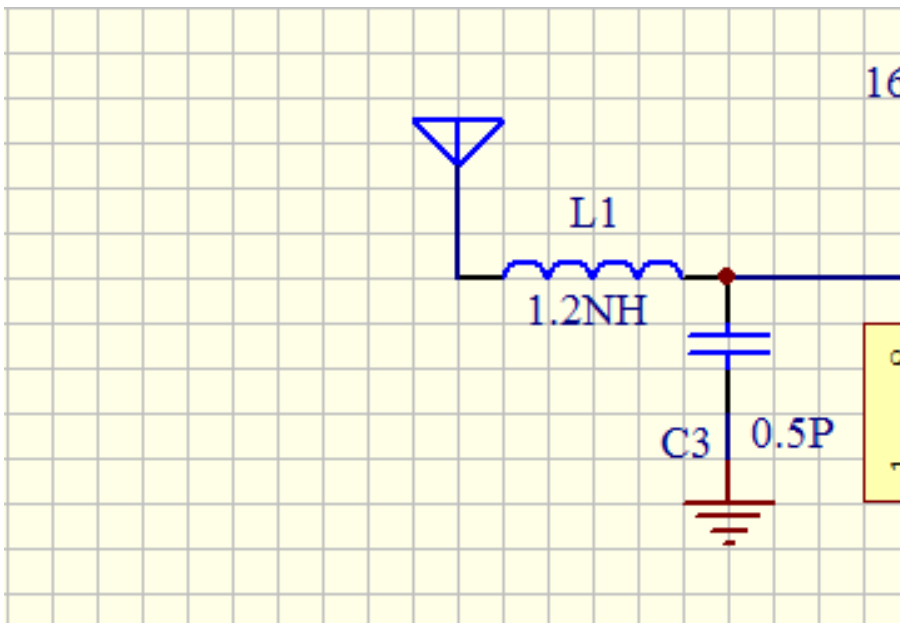
Part Name: 2.4GHz Antenna

Model Name: ZX2250 TX OR RX

1. Dimensions



Match Network



HK(ASIA) INT'L LTD

2. Electrical Characteristics

No.	Item	Specifications
1	Working Frequency	2400~2500MHz
2	Gain	0dBi
3	V.S.W.R (in BW)	<2.0
4	Polarization	Linear
5	Azimuth Beam width	Omni-directional
6	Impedance	50 Ω

3. Return Loss and Smith Chart

