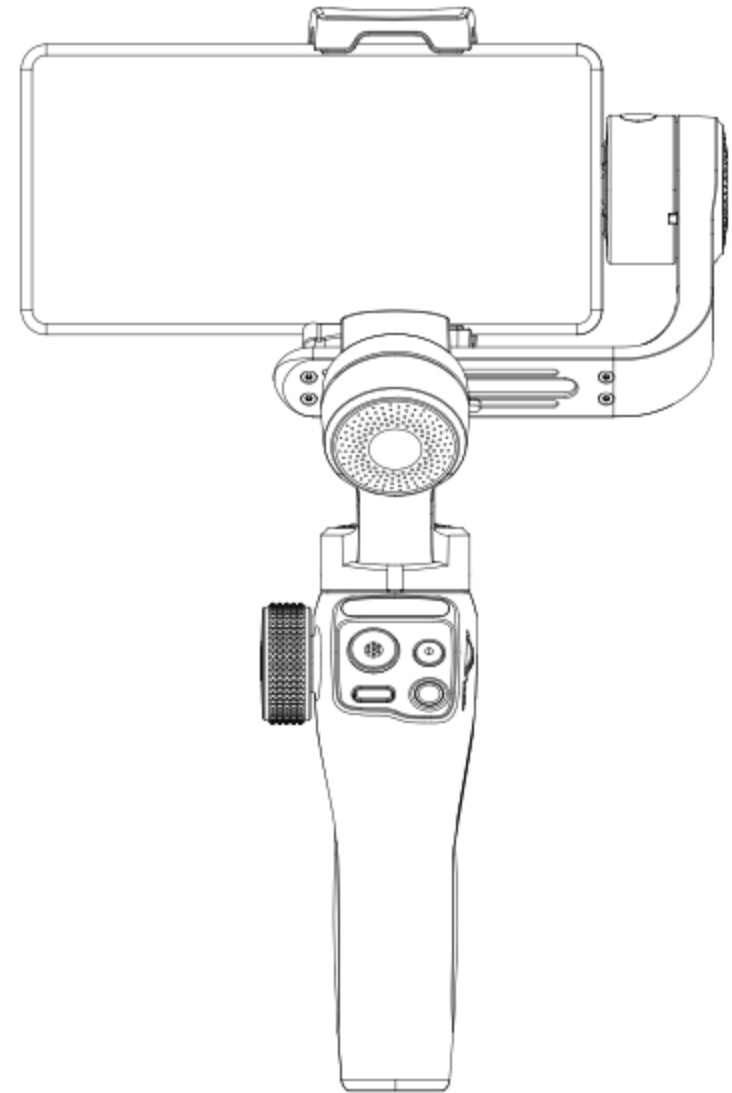


# CAPTURE 5

Phone Gimbal



User Manual V1.0

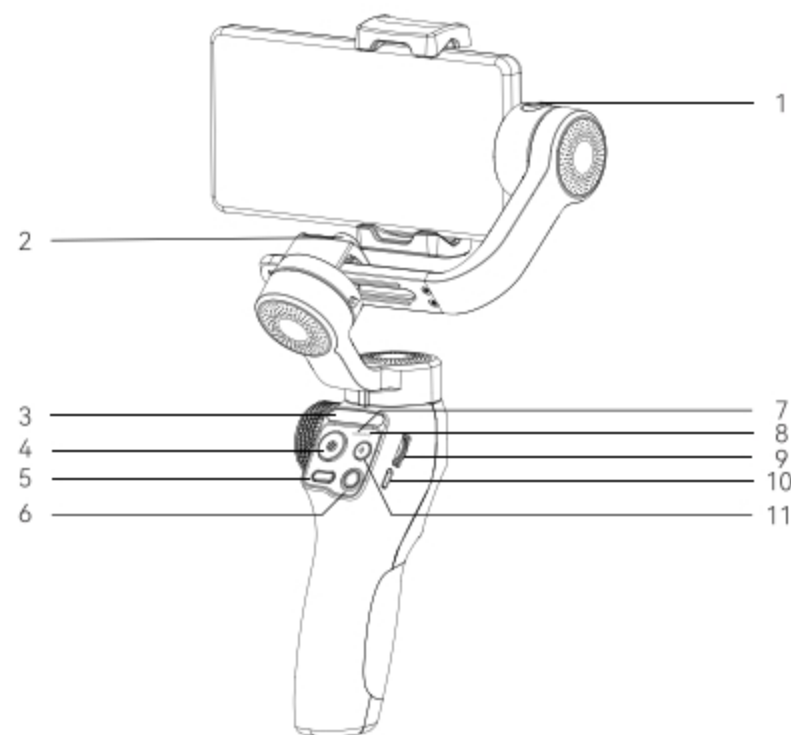
# Table of Contents

1. Product Overview	1
Understanding Capture 5	1
2. Battery and Charging Instructions	3
3. Gimbal Leveling and Usage	4
Balancing Adjustment	4
Gimbal Usage	5
4. Intelligent Tracking Camera	5
(*optional accessory, requires additional purchase)	
Installation and Usage	5
Customizing Composition	6
5. Feature Introduction	7
Buttons and Indicators	7
Gimbal Shooting Modes	9
Gimbal Shooting Positions	11
6. Downloading and Using the App	13
7. Controlling the Phone's Original Camera	14
8. Gimbal Firmware Upgrade	16
9. Product Specifications	17
10. Disclaimer and Safety Guidelines	20
Disclaimer	20
Safety Guidelines	20
11. Product Warranty Services	21

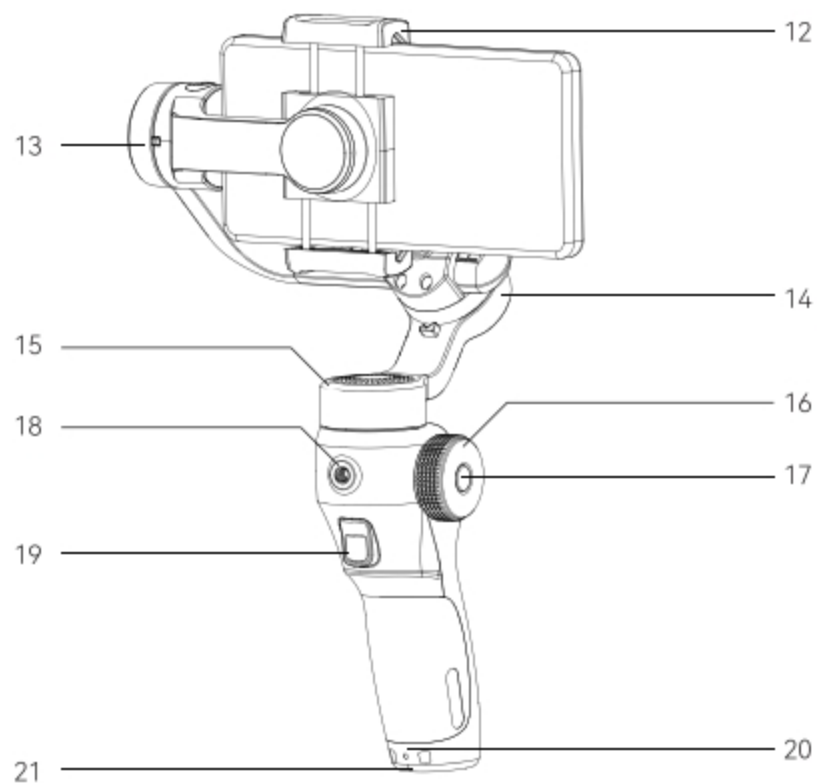
## 1. Product Overview

Capture 5 is a three-axis smartphone gimbal that assists in smartphone photography, effectively reducing shaking caused by external factors during shooting, making smartphone shooting more stable and smooth. Paired with the Capture2 App, it offers various photography functions such as Follow Mode, Pan-Follow Mode, Lock Mode, Full Follow Mode, Sport Mode, and Inception Mode. Additionally, the live tracking feature provides users with a great live streaming experience, with only one person needed to complete the live streaming process.

### Understanding Capture 5



- |                           |                              |                        |
|---------------------------|------------------------------|------------------------|
| 1. Type-C Output Port     | 2. Balance Adjustment Wrench | 3. Mode Display Panel  |
| 4. Joystick               | 5. Shortcut Switch Key       | 6. Power On/Off Button |
| 7. Status Indicator Light | 8. Battery Indicator Light   | 9. Mode Selection Dial |
| 10. Type-C Charging Port  | 11. Shutter Button           |                        |



- |   |                      |                           |
|---|----------------------|---------------------------|
| 12. Phone Clamp   | 13. Pitch Motor      | 14. Roll Motor            |
| 15. Yaw Motor   | 16. Focus/Zoom Wheel | 17. Focus/Zoom Switch Key |
| 18. 1/4-inch Screw Hole   | 19. Trigger Button   | 20. Strap Hole            |
| 21. Bottom 1/4-inch screw hole (for external device connection) |                      |                           |

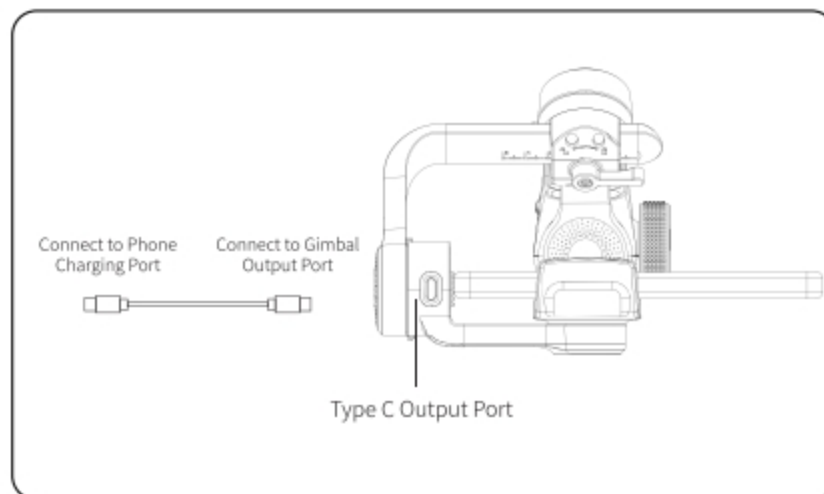
## 2. Battery and Charging Instructions

The Capture 5 gimbal has a built-in lithium battery. Before first use, please fully charge the Capture 5 gimbal to activate the battery and ensure smooth usage of the product.

Charging method: Use the provided Type-C charging cable and connect it to a USB charger (not included) to charge Capture 5. During charging, the three white battery indicator lights will flash in a running light style. Once fully charged, the three battery indicator lights will stay on constantly.

### Shared gimbal battery for phone charging:

Use the Type-C charging cable to connect the gimbal's Type-C output port to charge the phone.



### 3. Gimbal Leveling and Usage

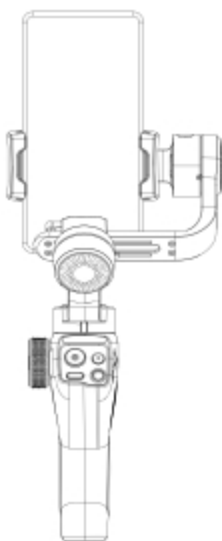
#### Balancing Adjustment:

1. Rotate the gimbal arm of Capture 5 to the open position according to the sticker or prompt.
2. Horizontal/Vertical installation:

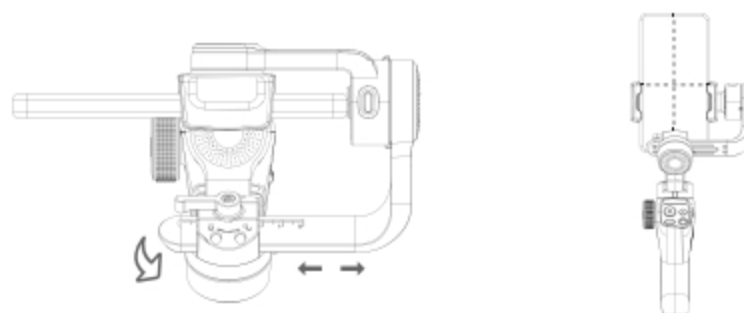
Horizontal installation:  
Ensure that the phone's camera is facing left and is closely attached to the pitch axis motor's silicone pad.



Vertical installation: Rotate the phone clamp 90° to the right and install it in the middle vertically.



3. Balancing adjustment: Unlock the balance adjustment wrench on the roll axis, move the arm left or right until the phone is naturally balanced, and then tighten the balance adjustment wrench.



\*In Portrait Mode, secure your phone in the middle of the clamp

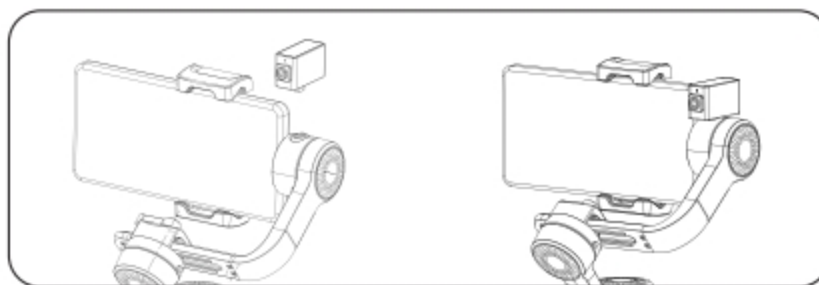
#### Gimbal Usage:



Long press the gimbal's power on/off button for 3 seconds to turn on the gimbal. Capture 5 will start in the default Follow Mode (the leftmost mode indicator light will turn on). The camera's view will slowly move along with the left and right movements of the handle. This mode is designed for beginners, allowing smooth camera movements by controlling the handle's rotation. You can also manually push the joystick up, down, left, or right to control the smooth movement of the camera.

### 4. Intelligent Tracking Camera

(\*optional accessory, requires additional purchase)



#### Installation and Usage:

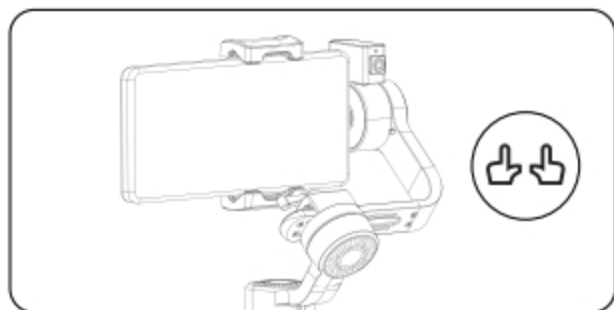


1. Insert the interface of the intelligent tracking camera into the gimbal's output port.
2. When the indicator light on the intelligent tracking camera turns on, face the camera and maintain a distance of 0.5 to 1.5 meters. Control it using hand gesture recognition.
3.  Gesture: Start tracking, the indicator light turns green.
4.  Gesture: Stop tracking, the indicator light turns red.
5. For front/back camera tracking, simply unplug the intelligent tracking camera and manually rotate it 180° to switch the direction.
6. During tracking, if the tracking target is lost, the indicator light will flash slowly in green.

## Custom Composition

When composing the screen of a mobile phone, if the subject cannot be centered perfectly or if you want to customize the composition according to personal preferences, you can follow these steps:

1. Make sure that the gimbal and intelligent tracking camera are turned on.
2. Make a "" gesture with both hands at the same time. The indicator light will flash rapidly in green, indicating that it has entered the custom composition mode of the intelligent tracking camera.
3. Adjust the composition to the desired position based on the movement of the subject.
4. Make the "" gesture with both hands again to confirm the composition. The indicator light will stop flashing rapidly in green, indicating that the composition has been confirmed.



6

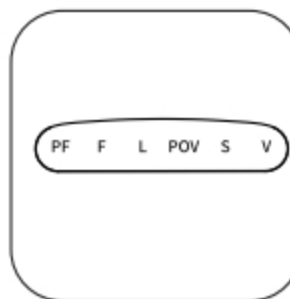
## 5. Function Introduction

### Buttons and Indicator Lights:



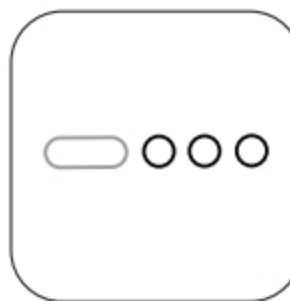
#### Mode Switch Dial

Rotate the dial to switch between different gimbal shooting modes (heading follow, 2-axis follow, lock, all follow, sport, inception).



#### Mode Display Panel

The six modes (PF, F, L, POV, S, V) are indicated by the corresponding indicator lights being lit up, representing heading follow, 2-axis follow, lock, all follow, sport, and inception modes respectively.



#### Battery indicator lights

(showing the remaining battery power of the gimbal)

100%-75%: Three white battery indicator lights constantly on.

75%-50%: Two white battery indicator lights constantly on.

50%-25%: One white battery indicator light constantly on.

Below 25%: The leftmost white battery indicator light will blink.



#### Status indicator lights

Green light: The gimbal is in normal working status.

Ice blue light: The gimbal is in intelligent operation status.

Blinking red light: The gimbal is in protection mode.

Blinking green light: The gimbal is in calibration/upgrading status.

7



### Button

(In the Capture2 app shooting interface)

Long press: Switch between video recording and photo shooting functions.

Single click: Perform the shooting action of the current function.

Double click: Switch between front and rear cameras.



### Power button

Long press for 3 seconds: Power on/off the gimbal.

Single click: Check the remaining battery power of the gimbal when it is powered off.



### Joystick

Move the joystick to control the pitch axis, roll axis, and yaw axis of the gimbal.



### Quick switch button

Single click: The gimbal's yaw motor rotates 180 degrees.

Double click: Enter/exit the quick vertical shooting posture.

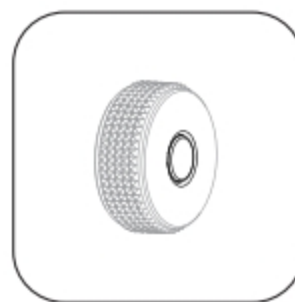
Triple click: Switch between "wide-angle shooting posture" and "unobstructed framing posture"



### Focus/zoom wheel

(In the Capture2 app shooting interface)

Rotate the wheel to perform zoom/focus actions for current shooting.



### Focus/zoom switch button

Single click: Switch between zoom and focus functions.

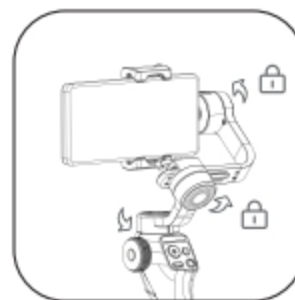


### Trigger button

Double click: Reset the gimbal motors to the default position.

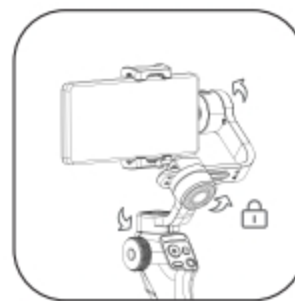
Long press: Enter lock mode, and the corresponding mode display panel will light up.

## Gimbal shooting modes



### Heading follow mode (PF):

The pitch axis and roll axis motors are locked. The yaw axis motor can follow the movement of the handle.



### 2-axis follow mode (F):

The pitch axis and roll axis motors are locked. The yaw axis motor can follow the movement of the handle.



### Lock mode (L):

The pitch axis, roll axis, and yaw axis motors are locked. In any mode, long press the trigger button to enter lock mode directly.



### All follow mode (POV):

All three motors (pitch axis, roll axis, and yaw axis) can follow the movement of the handle. The handle can be rotated in three dimensions, achieving a three-dimensional mirror movement effect in space.



### Sport mode (S):

In sport mode, the gimbal motor strength increases, suitable for capturing fast-moving objects. Quick movement of the handle from left to right can also achieve a quick transition effect in shooting.



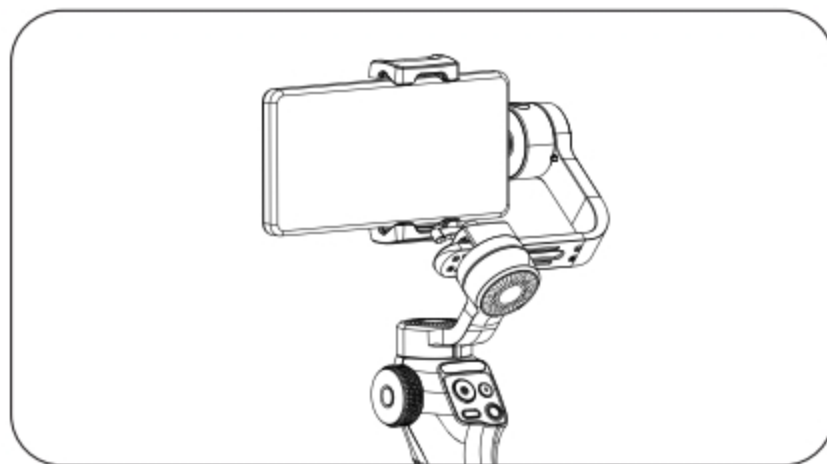
### Inception mode (V):

All three motors (pitch axis, yaw axis, and roll axis) of the gimbal can follow the movement of the handle. By pushing the joystick to the left/right, the yaw axis of the gimbal will automatically rotate left/right for shooting, creating a "three-dimensional dream" effect.

## Gimbal shooting postures

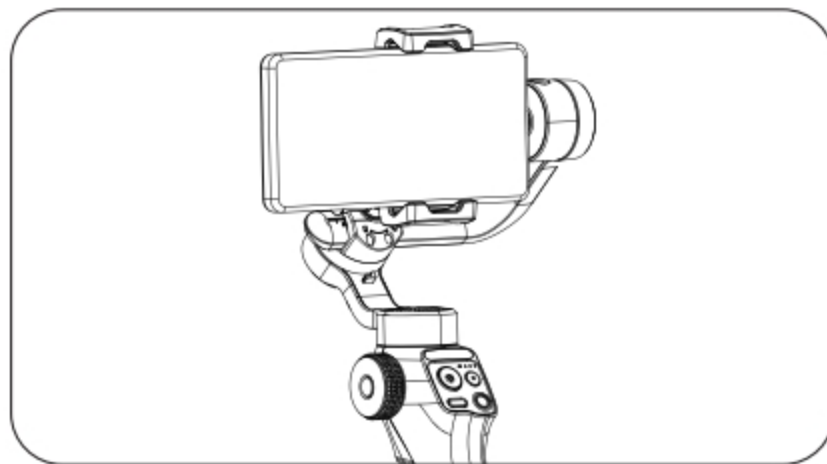
### Wide-angle shooting posture:

Can be used for a wider range of shooting scenes, especially compatible with various shots under wide-angle lenses.



### Unobstructed view posture:

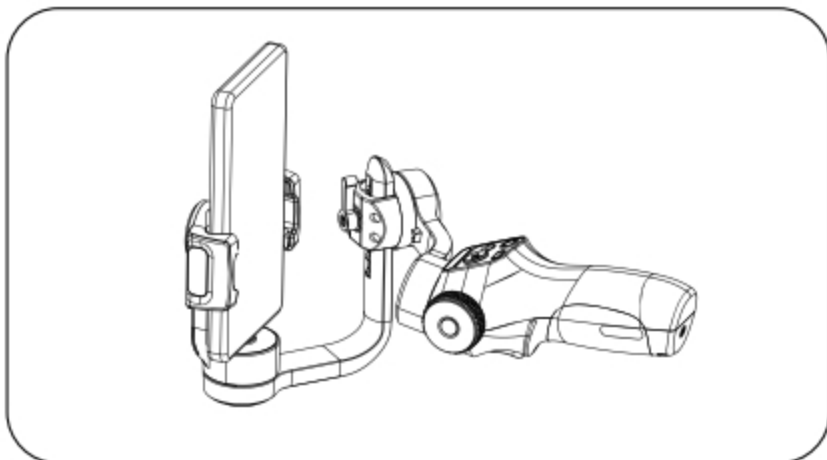
suitable for various shots, especially for live streaming or selfies.



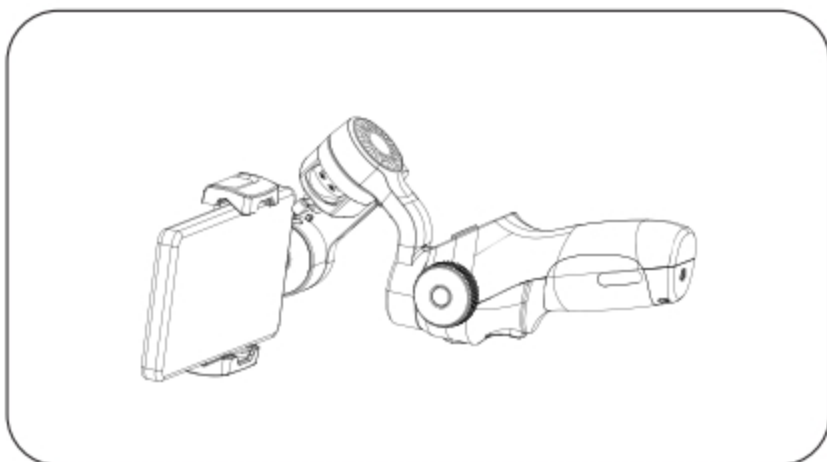
### Quick vertical shooting posture:

Suitable for shooting with vertical composition.

Note: Please try to hold the handle horizontally when using this posture. Under this posture, only F, L, and POV modes are supported.

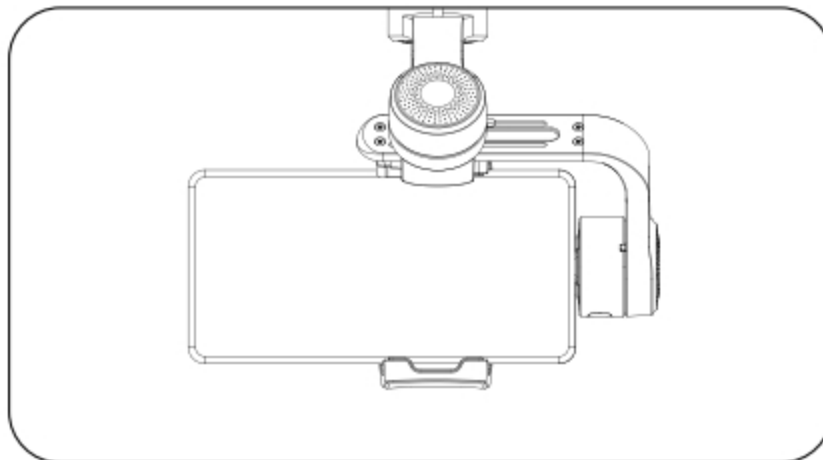


### Flashlight shooting posture:



### Teapot tracking posture:

Invert the Capture 5 gimbal handle 180° to enter the teapot tracking posture. This shooting posture is suitable for low-angle ground shooting.



## 6. Downloading, Installing, and Using the Capture2 App

Download the Capture2 App

Please search for “Capture2” in the mobile app store or use your mobile phone to scan the QR code to install.



 App Store



 Google Play

The Capture2 App requires iOS 11.0 or above or Android 7.0 or above.

### Steps to connect with the Capture2 App:

1. Install the phone correctly on the Capture 5 gimbal according to the prompts and instructions, and long-press the gimbal’s “Power On/Off” button for 3 seconds to turn on the gimbal.



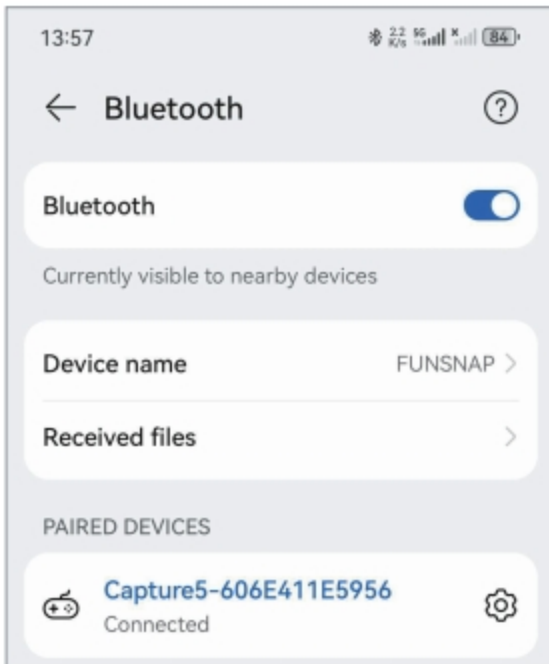
2. Turn on the Bluetooth on your phone and run the Capture2 App. In the App, click on search and connect to the device named "Capture 5-XXXX" to enter the shooting interface for shooting.

## 7. Controlling the Phone's Original Camera

### Steps to connect with the phone's original camera:

1. After installing the phone correctly on the Capture 5 gimbal, turn on the gimbal.
2. Open the Bluetooth settings on your phone system, search for the Bluetooth name "Capture 5-XXXX" (as shown in the figure below), click on pairing and connect.

Note: After the initial connection, Bluetooth will automatically connect when the gimbal is turned on again.



3. Open the original camera for shooting. The gimbal control instructions are as follows:

Brand	Operation	Function	Explanation
Huawei, Xiaomi, Oppo, Honor, OnePlus, etc.	Long-press the shutter button	One-touch to open the original camera	Long-pressing the shutter button on any interface of the phone can directly open the original camera interface.
		Switch to photo and video mode	In the original camera interface, long-pressing the shutter button can switch between photo/video modes.
	Single-click the shutter button	Start/Stop photo or video shooting	In the original camera interface, a single-click of the shutter button serves as the shutter command.
	Rotate the zoom wheel	Control zoom, zoom in/out of the frame	
Apple, Samsung, Vivo	Single-click the shutter button	Start/Stop photo or video shooting	In the original camera interface, a single-click of the shutter button serves as the shutter command.

## 8. Gimbal Firmware Upgrade

The Capture 5 gimbal can be upgraded via the Capture2 App. Before upgrading, please check the battery of the Capture 5 gimbal. After connecting the gimbal Bluetooth in the App shooting interface's left-side settings menu, find and click on the "Gimbal Version" to start the upgrade. Then, a progress bar will show the upgrade progress, which takes about 3 minutes.

### Note:

1. Do not exit the Capture2 App interface or operate in the background during the upgrade process.
2. After a successful upgrade, the Capture 5 gimbal will automatically shut down. If you want to use it normally, you need to manually turn it on again.
3. If the upgrade fails, restart the Capture 5 gimbal and Capture2 App, and reconnect the gimbal Bluetooth through the Capture2 App for re-upgrading.
4. If there is no blue upgrade prompt dot in the "Gimbal Version" section of the left-side settings menu in the App shooting interface, it means that the gimbal is currently using the latest firmware and no upgrade is needed.

## 9. Product Specifications

Weight of the body	550g(including batteries)
Size of the body	Folded: 160*58*320mm Expanded: 133*123*285mm
Applicable phone weight	120g~450g
Applicable phone width	50mm~90mm
Applicable phone thickness	≤13mm
Mechanical performance	Yaw axis: 360° Roll axis: 335° Pitch axis: 335°
Battery model	18650 lithium-ion battery
Battery capacity	2600mAh*2
Operating current/voltage	Operating current: 90mA~2700mA Operating voltage: 7.0V~8.4V
Output voltage/current	5V/1.5A
Battery life	Longest standby time up to 18 hours(under level conditions); The gimbal can run and the intelligent tracking camera is turned on, with a working time of 5-6 hours. ( Data from FUNSNAP Lab)
Charging Time	4 Hours (5V/1.5A)
Temperature Range	-20°C~60°C (* Data from FUNSNAP Lab)

## Names and Content of Hazardous Substances in the Product

Component Name	Hazardous Substances					
	Lead (Pb)	Mercury (Hg)	Cadmium (Cd)	Cadmium (Cr+6)	Polybrominated Biphenyls (PBB)	Diphenyl ether (PBDE)
Shell	X	○	○	○	○	○
Metal Components	X	○	○	○	○	○
Circuit Board	X	○	○	○	○	○
Internal Wires	X	○	○	○	○	○
Other Accessories	X	○	○	○	○	○

This table is prepared according to SJ/T 11364.

○ indicates that the content of the hazardous substance in all homogeneous materials of the component is below the limit specified in GB/T 26572.

X indicates that the content of the hazardous substance in at least one homogeneous material of the component exceeds the limit specified in GB/T 26572. (The product complies with the environmental requirements of the EU RoHS Directive)

## FCC Caution

This device complies with part 15 of the FCC Rules. Operation is subject to the following two conditions: (1) This device may not cause harmful interference, and (2) this device must accept any interference received, including interference that may cause undesired operation. Any Changes or modifications not expressly approved by the party responsible for compliance could void the user's authority to operate the equipment.

Note: This equipment has been tested and found to comply with the limits for a Class B digital device, pursuant to part 15 of the FCC Rules. These limits are designed to provide reasonable protection against harmful interference in a residential installation. This equipment generates uses and can radiate radio frequency energy and, if not installed and used in accordance with the instructions, may cause harmful interference to radio communications. However, there is no guarantee that interference will not occur in a particular installation. If this equipment does cause harmful interference to radio or television reception, which can be determined by turning the equipment off and on, the user is encouraged to try to correct the interference by one or more of the following measures:

- Reorient or relocate the receiving antenna.
- Increase the separation between the equipment and receiver.
- Connect the equipment into an outlet on a circuit different from that to which the receiver is connected.
- Consult the dealer or an experienced radio/TV technician for help.

RF Exposure:

The device has been evaluated to meet general RF exposure requirement, The device can be used in portable exposure condition without restriction Federal Communication Commission (FCC) Radiation Exposure Statement

Power is so low that no RF exposure calculation is needed.

## 10. Disclaimer and Safety Instructions

### Disclaimer

Thank you for purchasing the "Capture 5" smartphone gimbal.

Before using this product, please read this document carefully as it concerns your safety and legal rights. Follow the instructions in this document for proper use and settings of the product. Failure to follow the instructions may result in harm to you, people around you, or damage to the "Capture 5" smartphone gimbal or surrounding products.

By using this product, you acknowledge that you have read the user manual, understood, accepted, and agreed to all terms and conditions, especially the disclaimer and safety instructions. Douying Technology will not be held responsible for any damages, injuries, or legal liabilities caused by direct or indirect misuse of the product. Users should follow all safety guidelines mentioned in the text.

This document and all related documents of the product are the property of FUNSNAP Douying. In case of updates, no separate notification will be given. Please visit the official website [www.funsnap.cn](http://www.funsnap.cn) for the latest product information.

### Safety Instructions

1. The phone gimbal is not waterproof. Do not expose it to any liquids. Do not use the product in rainy or humid environments and do not immerse it in water or make it wet. Exposure to liquid may cause corrosion reactions, battery self-ignition, or even explosions.
2. In the event of a fire, extinguish it immediately to prevent severe damage.
3. Please use the product within the temperature range of  $-20^{\circ}\text{C}$  to  $60^{\circ}\text{C}$ . Do not heat the product as excessive temperatures may shorten its lifespan.

4. Pay attention to the safe use of the product. Mechanical impact, crushing, or throwing heavy objects on the product is strictly prohibited.
5. It is strictly prohibited to disassemble the product in any way. Piercing the battery during disassembly may cause leakage of internal liquid, fire, or explosion.
6. When not in use for a long time, discharge the battery to a remaining capacity of 40% to 65% before storage. Do not store the product after completely discharging the battery for a long time, as it may lead to over-discharge and damage to the battery cells, making it unusable. It is recommended to recharge and discharge the battery every three months to maintain battery activity.

## 11. Product Warranty Services

1. Within seven days from the date of purchase, if there is a performance failure in the product, and the product and its outer packaging remain intact without scratches, a replacement of the same model can be provided after inspection to confirm non-human damage.
2. Warranty service is limited to normal use.
3. Under normal use from the date of sale, free warranty service is provided for one year, and lifetime maintenance is provided. Accessories are not covered by the warranty.
4. Damage caused by accidents or human actions, self-disassembly, or improper use is not covered by the warranty.
5. The warranty card must be presented during warranty service. In case of failure to provide the warranty card or any tampering or alteration of the warranty card, the company has the right to deem it void and not provide warranty service.

# Warranty Card

User Name:  Order Number:

Purchase Platform:  Purchase Date:

Phone Number:

## Repair Records

Repair Records	Date of Repair

## The following cases are not covered by the warranty:

1. Malfunction or damage caused by transportation or loading and unloading after purchase of the product.
2. Any unauthorized modification, disassembly, or repair without the authorization of FUNSNAP Technology.
3. Product damage caused by accidents or subjective actions, such as liquid ingress, impact, inappropriate input voltage, excessive compression, or deformation of the motherboard.
4. Product malfunction or damage caused by failure to install, use, maintain, and store the product according to the instructions.
5. Inability to provide a legitimate and valid purchase certificate or document, or forgery or alteration of the document.
6. Labels, machine serial numbers, or waterproof and anti-tamper markings are torn off or altered, making them illegible.