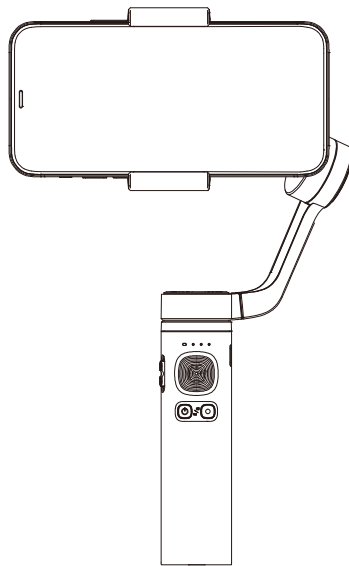


Capture π



User Manual

V1.0

Contents

Introduction	2
Introducing Capture π	2
Getting Started	3
Folding/Unfolding	3
Charging	4
Startup Procedure	4
Using the Capture π	4
Controls And Operations	5
Operation Modes	6
Gimbal Modes	7
Controlling the Camera	8
Introducing Capture 2 App	9
Controlling Original Phone Camera	12
Firmware Upgrade	13
How To Upgrade	13
Specifications	13
Disclaimer And Safety Precautions	14
Warranty	15

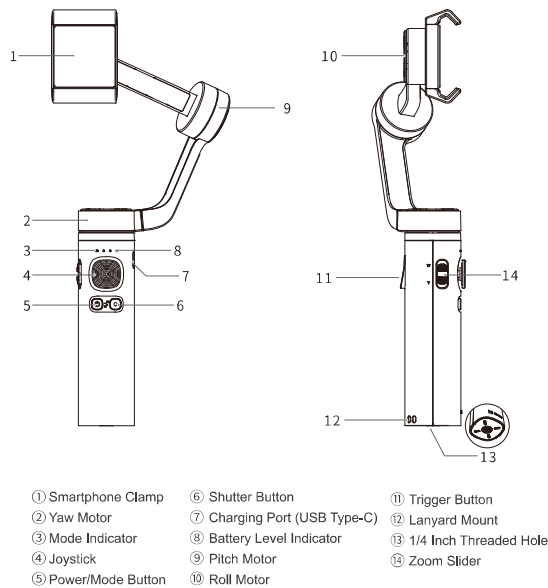
Introduction

Introducing Capture π

Designed for smartphones, Capture π , the 3-axis gimbal has by far the best stabilization in the Capture Series. With Capture π , you can take smoother shots on your smartphone. Stabilization on Capture π is enhanced with high-precision motors and the arms are made from aerospace-grade aluminum. Besides, the gimbal is highly portable with a foldable design.

Capture π adopts a non-orthogonal structural design to facilitate smooth transition between portrait and landscape modes during filming. Additionally, the live tracking feature also makes live streaming a better experience.

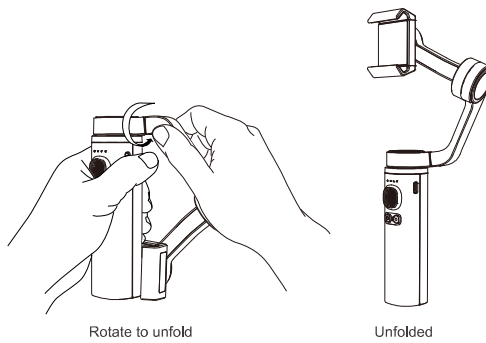
Components



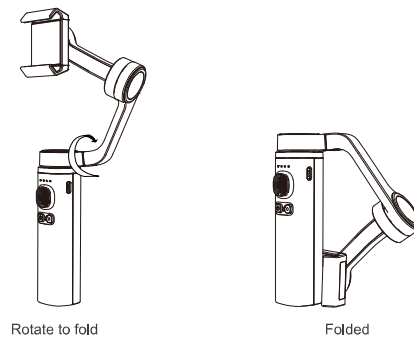
Getting Started

Folding/Unfolding

Hold the handle with one hand as shown in the illustration below. Rotate the gimbal arm by 180 degrees in the direction indicated in the diagram. The gimbal is completely unfolded when a click is heard.



To fold the gimbal back, rotate the gimbal arm by 180 degrees in the direction indicated until a click is heard. Adjust the smartphone clamp as necessary.



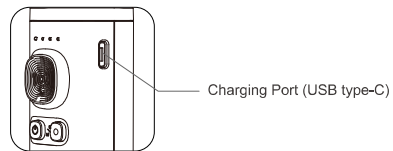
Make sure the stabilizer's off when you fold or unfold it.

Charging

Charge the Capture π via the USB Type-C port. The battery level indicator will display white colored lights.

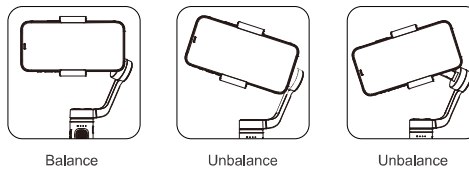
Charging time: ~ 3 hours (with 5V 2A power adapter)

Operating time: ~12 hours (tested from ideal lab conditions, for reference only)



Startup Procedure

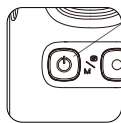
1. Unfold the Capture π
2. Secure the phone to the clamp. Note: The position of the clamp is around 5mm off to the center of the phone to be in balance. Make sure the lens of the phone camera is at the left side of the clamp
3. Press and hold the power button for 3 seconds to boot up



Using The Capture π

The Capture π is in Follow Mode (the mode indicator showing green) by default. The camera will follow the pitch and yaw movement of the gimbal with smoothness. The user can also control the pitch and yaw smoothly by using the joystick.

Controls And Operations



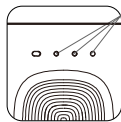
Power Button / Manual Button:

When power off: Single tap: check battery level
 When power on:
 Single tap: switch between portrait / landscape mode
 Double tap: Switch between Follow / FPV mode
 Press and hold for 3 seconds: power off
 Triple tap: Switch between Inception Mode



Camera Shutter Button:

Single tap: take a photo under photo mode or start / stop recording under video mode.
 Double tap: switch between front / rear camera (when using the app)
 Press and hold: switch between photo / video mode



Battery Level Indicator:

Indicate the battery level



Mode Indicator:

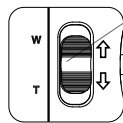
Indicate the gimbal mode (refer to the table below)

Mode Indicator Status	Gimbal Mode	Triggered by
Green light solid	Follow	Default
Green light flashing	PhoneGo	Press and hold the trigger button
Blue light solid	FPV	Double tap the power button
Blue light flashing	Inception	Triple tap the power button
Red light solid	Lock	Press and hold the trigger button
Red light flashing	Gimbal Motor Protection	Malfunction button



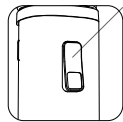
Joystick:

Move up and down to control the gimbal pitch.
 Move left and right to control the gimbal yaw.



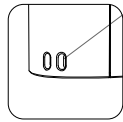
Zoom/Focus Slider

The user can change the function of the slider between zoom and focus by using the app. When in zoom control mode, push towards T to zoom in or push towards W to zoom out. When in focus mode, slide the slider up and down to control the focus. The user can also use auto tracking focus in the app. Refer to the App Section for more details.



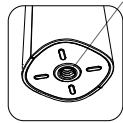
Trigger Button

Press and hold: enter Lock Mode. Release the trigger to return to Follow Mode (default).
 Double press: return the gimbal to the neutral position.
 Press and hold: enter PhoneGo Mode. Release the trigger to return to Follow Mode (default).



Lanyard Hole

The holes used to tie the lanyard



1/4 Inch Threaded Hole

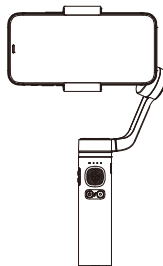
The 1/4 Inch threaded hole is used to mount tripod, extension rod or other accessories. Accessories are to be purchased separately.

Operation Modes

Several operation modes are provided to meet different scenarios

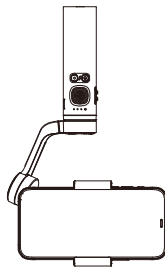
Standard

The Capture π is used in the upright position.



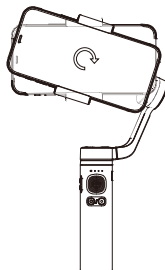
Underslung

The Capture π will enter the underslung mode by holding it upside down. This mode is used for shots with proximity to the ground



Inception

The inception mode is triggered by triple tapping the power button. Move the joystick left and right to control the roll in this mode.



Gimbal Modes

Gimbal Mode	Mode Indicator Status	Triggered by	Mode Description
Follow	Green light solid	Default	The phone camera follows the pitch and yaw movement of the gimbal in a smooth way. The roll is locked.
Semi-follow	Green light solid	Set the default mode to 'semi-follow' in the app	The phone camera follows the yaw movement of the gimbal in a smooth way. The pitch of the camera is locked in this mode. This mode is used in running scenarios.
Portrait Mode	Green light solid	Single tap power button	Single tap the power button the switch between the portrait mode and the landscape mode.
PhoneGo	Green light flashing	Press and hold the trigger button	The phone camera follows the pitch and yaw movement of the gimbal in a fast way. This mode is used in sports filming scenarios.
Lock	Red light solid	Press and hold the trigger button	The phone camera is locked in roll, pitch and yaw. It does not follow the movement of the gimbal. However, the joystick can be used to control the pitch and yaw of the gimbal. This mode is used when shooting in linear movements.
Inception	Blue light flashing	Triple tap the power button	The phone camera is locked in roll, pitch and yaw. It does not follow the movement of the gimbal. However, the joystick can be used to control the pitch and roll of the gimbal.
FPV	Blue light solid	Double tap the power button	The phone camera follows the roll, pitch and yaw movement of the gimbal. This mode is used to provide first-person-view (FPV) like shots

Controlling The Camera

The Capture π can be connected to the phone via Bluetooth. The user can control the Capture π wirelessly and use more smart features with the Capture 2 App

Introducing Capture 2 App

Download Capture 2 app. Please search from the App Store for capture 2 or use your phone to scan the QR code to install.



▲ iOS iPhone



▲ Google Play

*Capture 2 App requires iOS 11.0 and above on iPhone, or Android 7.0 or above on Android device.

Capture 2 App Main User Interface



1.Home

Press to go back to the home page

2.Bluetooth Connection Status

Indicates the status of the Bluetooth connection

3.Gimbal Operating Mode

Indicates the current operation mode of the gimbal

4.Gimbal Battery Level

5.Smart Tracking Indicator

The smart tracking has two modes – face tracking and object tracking. In the face tracking mode, the forward most face on the screen will be tracked automatically. In the object tracking mode, the tracked object needs to be selected manually by drawing a rectangle over the object on the screen.

*Note: A green rectangle frame will appear on the screen after the face / object has been identified. If the face / object has been lost the color of the rectangle will become red. If the user wants to stop tracking, press the cross icon on the right top corner of the rectangle.

6. Gesture Control Mode

In this mode, when a scissor gesture has been identified, the camera takes a photo after a 3-second countdown.

When a palm gesture has been identified, the camera switches between photo and video mode.

7. Shooting Modes

Slide to choose different shooting modes.

- **Panorama:** There are three sub modes – 180°, 320° and 3X3 modes. In 180° mode, 3 photos are taken and fused. In 320° mode, 8 photos are taken and fused. In 3X3 mode, 9 photos are taken and fused.
- **Photo:** Take a single photo or use a timer for countdown.
- **Video:** Take a video
- **Slow-motion:** Shoot 8 times slow-motion videos (limited for Huawei and iPhones)
- **Timelapse:** There are 2 sub modes - static timelapse and waypoint timelapse
When in static Timelapse mode, select the interval and time length on the top of the screen and press the record icon. In this mode, the user can use object tracking feature to track the object while shooting time-lapse videos simultaneously.
When in waypoint timelapse mode, besides the interval and time length, the user can also set up to 5 waypoints by using the joystick. The gimbal will move to the pre-selected waypoints in sequence after shooting starts.

8. Shutter

9. Switch Between Front And Rear Camera

10. Album

11. Switch Between Zoom Mode Or Focus Mode

'Z' stands for 'zoom'. In this mode, the slider on the gimbal controls the zoom of the image. 'F' stands for 'focus'. In this mode, the slider on the gimbal controls the focus of the image.

12.Settings

•**Camera settings:** set flashlights, grids and image aspect ratios.

- (1) Default mode: set the mode the gimbal is on by default. There are Follow and Semi-follow modes.
- (2) Joystick sensitivity: Adjust the sensitivity of the joystick. The user can also reverse the up / down and left / right control of the joystick.

•**App parameters and version information**

- (1) The image resolution for panorama: There has 3 grades – low, medium and high. If the phone is not powerful enough, lower resolution is recommended for better image fusion
- (2) Calibrating sensors: If the gimbal starts to drift slowly, press this icon to calibrate the sensors. Reboot the gimbal after the calibration.
- (3) Horizontal adjustment: Calibrate the horizon of the gimbal
- (4) Live Face tracking: Enable live face tracking while using other streaming apps
- (5) Firmware upgrade: Press to upgrade the firmware of the gimbal. When there is a blue dot on this icon, firmware upgrade to the latest version is required.
- (6) The gimbal firmware version number and the app version number.

13.Gimbal Operation Parameters

Set the parameters of different shooting modes

Connecting To Capture 2 App:

- (1) Install the phone on the Capture π gimbal. Power up the Capture π gimbal
- (2) Turn Bluetooth on the phone and run Capture 2 App. Connect to the device called 'Capture Pi'.
- (3) When using Capture 2 App for the first time, the user is required to sign up for an account. Internet connection is needed for this step.
- (3) After logging in successfully, the user can enter the main interface.

Controlling Original Phone Camera

Steps to connect to the original phone camera:

- (1) Install the phone on the Capture π gimbal. Power up the Capture π gimbal
- (2) Turn Bluetooth on the phone and connect to the device called 'Capture Pi' (as shown from the figure below). Note: The gimbal will auto connect by Bluetooth from the second time use onwards.



- (3) The original phone camera is enabled after the Bluetooth connection. The commands are as follows:

Phone Operating System	Operation	Function	Description
Android 10.0 and above	Press and hold the shutter button	Open the original camera	The original phone camera will open when the phone is not in the original camera app
		Switch between video and photo mode	In the original camera app interface, this operation can switch between video and photo mode
	Single press the shutter button	take a photo under photo mode or start / stop recording	Applicable when in the original camera app
	Slide the zoom / focus slider	Control the zoom / focus of the camera	
iPhone and Android 10.0 and below	Single press the shutter button	take a photo under photo mode or start / stop recording under video mode	Applicable when in the original camera app

Firmware Upgrade

The firmware of the Capture π can be upgraded via the Capture 2 App. The upgrade process takes ~3 minutes

How to upgrade

Check the battery level and make sure that the battery level is indicating at least 2 lights before the upgrade. After connecting to the Bluetooth, select 'firmware upgrade' from the menu at the left side of the app interface to start firmware upgrade. The progress bar indicates the overall progress. During the upgrade, the user should not quit the app or minimize it to the background. After a successful upgrade, the Capture π will power off automatically. The user needs to power on manually. If the upgrade fails, the user needs to reboot the Capture π and reopen the Capture 2 App and try again.

Specifications

Product Name	Capture π Mobile Gimbal
Model	Capture π
Dimension	Unfolded: 254*129*41mm Folded: 140*116*64mm
Weight	320g
Mechanical Range	Pitch:300° Roll: 330° Yaw: 300°
Allowable Phone Weight	130 – 300g
Allowable Phone Width	6.9 – 11mm
Applicable mobile phone width	67 – 92mm
Working voltage	3.3 – 4.2V
Working current	0.3A (under balanced conditions)
Battery Model	21700 Li-ion Battery
Battery Capacity	4500mAh
Energy	16.65Wh
Charging Environment Temperature	0 – 40 °C
Working Environment Temperature	-10° - 40 °C
Charging time	3 – 4 hours
Operating time	12 hours (under balanced conditions)

Disclaimer And Safety Precautions

Thank you for shopping Funsnap Capture π Stabilizer.

Before using Capture π , please carefully read this manual, the content of which concerns your safety, as well as your legal rights and responsibilities. We strongly suggest you strictly follow the settings and guidelines in this document. Failure to do so may result in injury to yourself and/or others, damage to your Capture π and/or other objects in the vicinity.

The fact that you use this product is deemed that you have carefully read the user manual, especially the disclaimer and safety instructions, and understand, accept and approve all terms thereof. Funsnap Technology is not responsible for any damages, injuries or legal liabilities caused by you directly or indirectly using this product in discordance with the requirements of the user manual. Users should follow all safety guidelines including but not limited to those set forth in this document.

Funsnap Technology reserves the right of final interpretation of the document. All contents are subject to change without further notice. Please visit www.fun-snap.com for the latest product information.

Safety Guidelines

- 1.Capture 2 Gimbal is Capture 2 Gimbal is not water-resistant.DO NOT allow the product to come into contact with any kind of liquid.DO NOT leave product out in the rain or near a source of moisture.DO NOT drop the product into water.If the inside of the battery comes into contact with water,chemical decomposition may occur,potentially resulting in the battery catching on fire,and may even lead to an explosion.
- 2.Put out any product immediately so as not to cause serious damage.
- 3.The product should be used in temperatures from 0°C to 40°C.DO NOT heat the product.Too high or too low temperature may shorten the service life of the product.
- 4.Please pay attention to the safety of the product.DO NOT crash,strike or drop the product.DO NOT place heavy objects on the product.
- 5.Never disassemble the product in any way or the battery may leak,catch fire,or explode.
- 6.Discharge the battery to 40%-65% if it will NOT be used for long periods of time.DO NOT store the product fully discharged for long periods of time,otherwise it will over discharge and lead to permanent damage.Discharge every 3 months or so to maintain battery activity.

Warranty Card

Product Name: [REDACTED] User Name [REDACTED]
Product Serial Number [REDACTED] Date Of Purchase [REDACTED]
Contact Phone Number [REDACTED]

Maintenance Record

Repair Date	Fault And Repair Conditions

The Following Conditions Are Not Covered By The Warranty:

- 1.Any alterations,disassembly,repairs,or repairs not authorized by the manufacturer.
- 2.Failure or damage to the product caused by a failure to install,use,maintain or store the product in accordance with the instructions.
- 3.Failure to provide valid proof of purchase or documents that have been forged or altered.
- 4.Due to irresistible factors(such as fire,earthquake,flood etc.)causing failure or damage.
- 5.Other failures caused by non-product quality related events
- 6.In the event of damaged, obliterated or on recognizable labels, serial numbers, waterproof marks, dissembling proof marks.

FCC Statement

This device complies with Part 15 of the FCC rules. Operation is subject to the following two conditions: 1) this device may not cause harmful interference, and 2) this device must accept any interference received, including interference that may cause undesired operation.

Note: This equipment has been tested and found to comply with the limits for a Class B digital device, pursuant to part 15 of the FCC Rules. These limits are designed to provide reasonable protection against harmful interference in a residential installation. This equipment generates uses and can radiate radio frequency energy and, if not installed and used in accordance with the instructions, may cause harmful interference to radio communications. However, there is no guarantee that interference will not occur in particular installation. If this equipment does cause harmful interference to radio or television reception, which can be determined by turning the equipment off and on, the user is encouraged to try to correct the interference by one or more of the following measures:

- Reorient or relocate the receiving antenna.
- Increase the separation between the equipment and receiver.
- Connect the equipment into an outlet on a circuit different from that to which the receiver is connected.
- Consult the dealer or an experienced radio/TV technician for help.

Changes or modifications not expressly approved by the party responsible for compliance could void the user's authority to operate the equipment.

Radiation Exposure Statement

This device complies with RF radiation exposure limits set forth for an uncontrolled environment. This transmitter must not be co-located or operating in conjunction with any other antenna or transmitter.