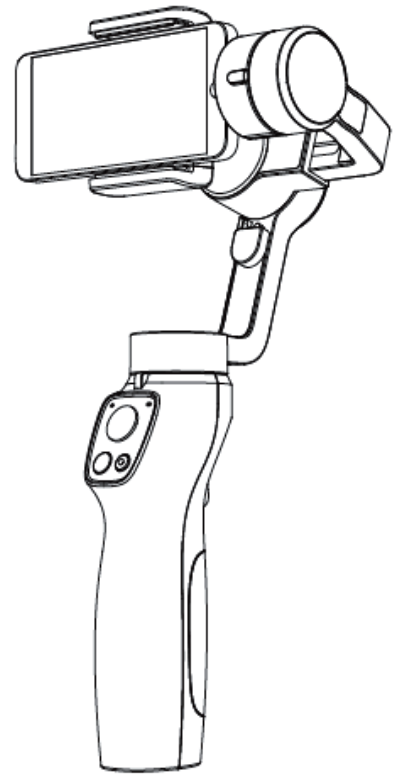




Quick Start Guide

用户指南

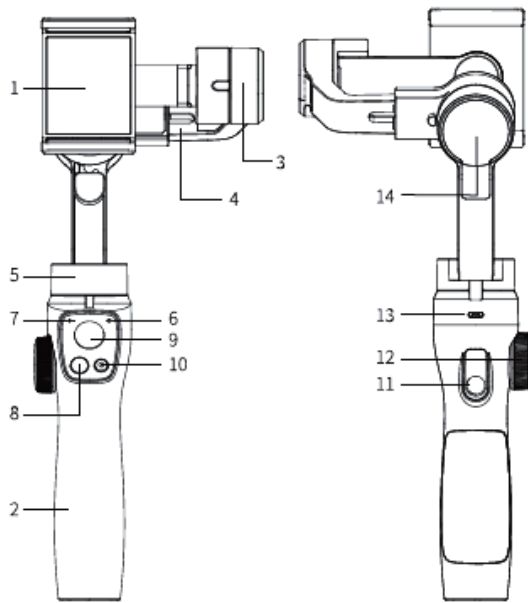


V1.0

一、产品概述

不抖稳定器是一款专为手机设计的三轴手持云台,它辅助手机拍摄,能有效消除拍摄过程中外界带来的抖动,提供稳定流畅的影像;不抖稳定器支持手机横竖拍,通过操控按钮可以手动快速调整手机的拍摄角度,满足日常拍摄和影视制作需求。

搭配 **CAPTURE 2** APP使用,带你体验移动延时、智能跟踪、全景拍摄等多种摄影功能。



- | | | |
|--------------|----------|----------|
| 1.手机夹 | 2.手柄 | 3.俯仰轴电机 |
| 4.伸缩管 | 5.航向轴电机 | 6.模式指示灯 |
| 7.电量指示灯 | 8.电源/模式键 | 9.摇杆 |
| 10.拍摄键 | 11.扳机键 | 12.指压变焦轮 |
| 13.Micro USB | 14.横滚轴电机 | |

二、装箱清单



云台 x 1



充电线 x 1



说明书 x 1
客户服务卡 x 1

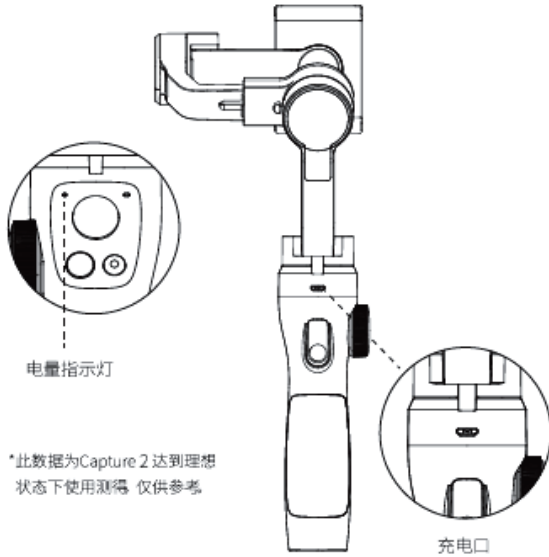
三、下载安装APP

在手机应用商店搜索“Capture 2”下载APP,或使用手机扫描下方二维码下载安装。



四、云台充电

- 将充电线连接上云台和充电器即可充电，充电时间大概需要2.5小时，最长工作时间12小时。*
- 充电时指示灯红灯闪烁，充电完成时电量指示灯绿灯常亮



- 可通过电量指示灯查看电量状态。

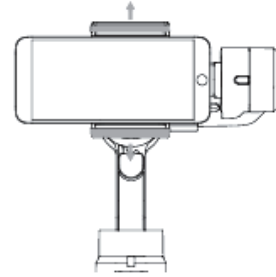
绿色：电量充足
红色：电量低于30%为红色，
红色闪烁：电量低于10%请及时充电。

五、操作说明

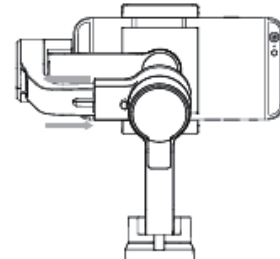
1、安装手机

请在手持云台电源关闭的情况下安装手机和调整平衡

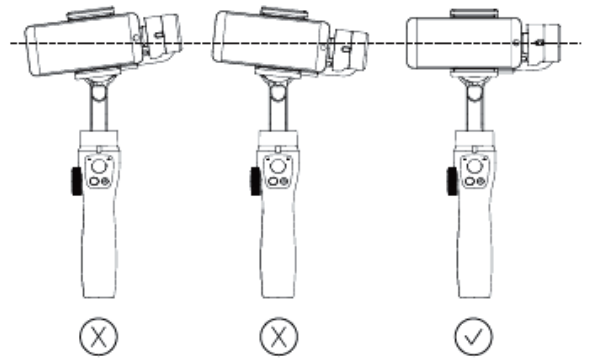
- a. 拉伸手机夹将手机放置于手机夹内，手机右侧对准电机卡位。



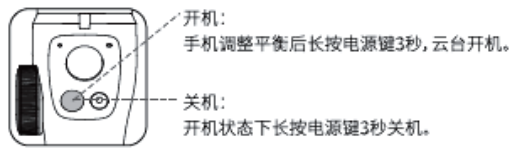
- b. 通过拉动机臂调整手机平衡



正确安装手机示意图



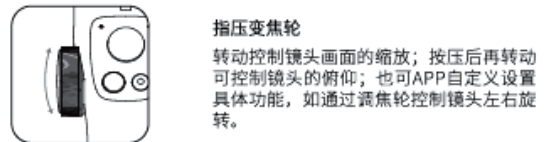
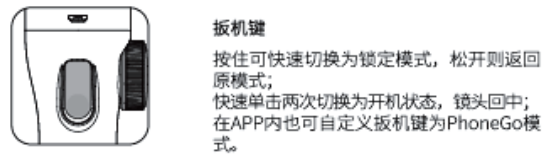
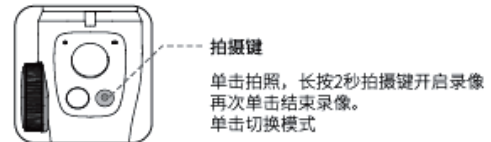
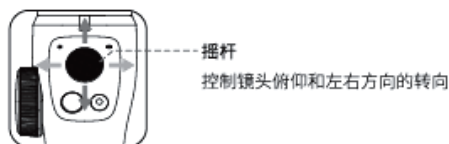
2、开关机



3、连接APP



4、操作

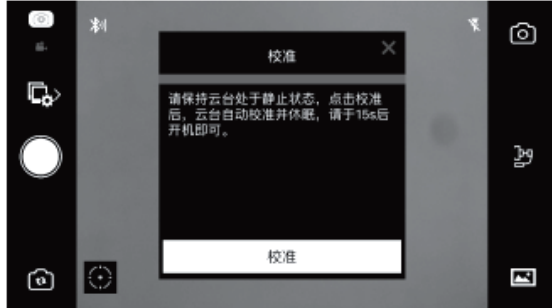


5、云台使用模式说明

| 操作 | 指示灯状态 | 模式/状态 | 说明 |
|--|-------|-------|---|
| 开机默认 | 绿色 | 全跟模式 | 横滚轴锁定, 航向轴和俯仰轴 跟随手柄移动。 |
| 单击模式键 | 红色 | 锁定模式 | 横滚轴、俯仰轴和航向轴都锁 定, 手机画面锁定在当前拍摄 方向。 |
| 单击模式键 | 蓝色 | 半跟模式 | 俯仰轴和横滚轴锁定, 航向轴 跟随手柄移动。 |
| 注: 单击电源键以上三种模式依次循环, 可根据指示灯颜色和云台状态辨别当前模式。 | | | |
| APP自定义 云台模式 | 绿色 | 疯狗模式 | 在APP内设置扳机键为PhoneGo 模式, 按住扳机键能够实现快 速转场。 |
| | 红色 | FPV模式 | 在APP内设置模式切换为FPV模 式, 横滚轴跟随手柄转动, 可 以拍摄出旋转效果的视频。 |

六、云台校准

若开机后出现偏移状况，请将手机放置于云台上，打开蓝牙连接APP，在云台保持静止状态时点击校准按钮，再静待15秒，此期间云台将自动校准并休眠，15秒后重启即可。



七、教学视频

扫描下方二维码进入逗映科技公众号观看教学视频。



八、基本参数

| | |
|---------|-------------------------------|
| CMIT ID | XXXXXXXXXX |
| 云台尺寸 | 295x113x72mm |
| 重量 | 500克 |
| 产品型号 | Capture2 |
| 最大控制转速 | 5°/s |
| 适用手机宽度 | 55-90mm |
| 适用机型 | 7.2寸以下手机和GOPRO相机4/5/6/7 |
| 最大负载重量 | 250克 |
| 电池容量 | 18650锂离子电池，2200mAh*2 |
| 工作电压 | 5V |
| 工作电流 | 100mA-2000mA (Standard 150mA) |
| 使用环境温度 | 0-40°C |
| 工作时间 | 12小时 |
| 充电时间 | 2.5小时 |
| 附件接口 | 1/4英寸螺纹接口 |

九、保修说明

“不抖” 稳定器 (含电池) 12个月

“不抖” 充电线 无保修期

十、免责声明与安全使用须知

感谢您购买不抖稳定器。

在使用本产品之前，请仔细阅读本文内容，本文所提及的内容关系到您的安全以及合法权益和责任，请按照本文要求对产品进行规范使用和设置，如果不按说明操作可能会给您及周围的人带来伤害，如损害不抖稳定器或其他周围产品。

本文最终解释权归逗映科技所有。内容如有更新请恕不另行通知，请访问逗映科技官网 (www.fun-snap.com) 获取最新产品信息。从您开始使用本产品开始，即视为您已经仔细阅读过免责声明和警告，理解、接受和认可本声明的全部条款。逗映科技对于您直接或者间接使用本产品而造成的破坏、伤害以及任何法律责任不予负责。用户应该遵循包括但不限于文本提及的所有安全指引。

⚠ 安全操作指引

- 1、不抖稳定器非防水产品，请勿接触任何液体。请勿在雨中或潮湿的环境中使⤵产品，也不要将产品放入水中或弄湿。因为产品内部接触到液体后可能会发生腐蚀反应，从而引发电池自燃，甚至引发爆炸。
- 2、若产品发生起火，请立即灭火，以免造成严重损失。
- 3、请在温度为0°C~40°C之间的环境中使用产品。切勿对产品进行加热温度过高或过低可能会缩短产品使用寿命。
- 4、请注意产品使用安全。严禁机械撞机、碰压或抛掷产品，也不要产品在产品上放置重物。
- 5、严禁以任何方式拆解产品。若拆解过程中刺破电池，将会导致电池内部液体泄漏，甚至引发起火和爆炸。
- 6、长时间不使用时，请将电池放电至40%~65%电量存放。请勿将产品彻底放电后长时间存储，以免电池过放、损害电芯而无法使用。每隔3个月左右重新放电一次以保持电池活性。

产品保修卡

商品名称： 用户姓名：
商品序列号： 联系电话：
经销商： 购买日期：
联系电话：

维修记录

| 维修记录 | 故障及维修情况 |
|------|---------|
| | |
| | |
| | |
| | |

以下情况不属于保修范围：

- 1、产品购入后由于运输、装卸所导致的故障或损坏；
- 2、任何未经返映科技授权许可的改装、拆卸、维修；
- 3、意外因素或主观行为导致的产品损坏，如：进液、摔损、输入不合适电压、过度挤压、主板变形等。
- 4、未按使用说明书要求安装、使用、维护、保管导致的产品故障或损坏；
- 5、无法提供合法有效的购买凭证或单据，或对单据进行了伪造或涂改；
- 6、标签、防水防拆标记被撕毁或涂改，模糊不清无法识别；
- 7、由于不可抗因素（如火灾、地震、水灾等）而造成的故障或损坏；
- 8、其他非产品自身质量问题导致的性能故障。

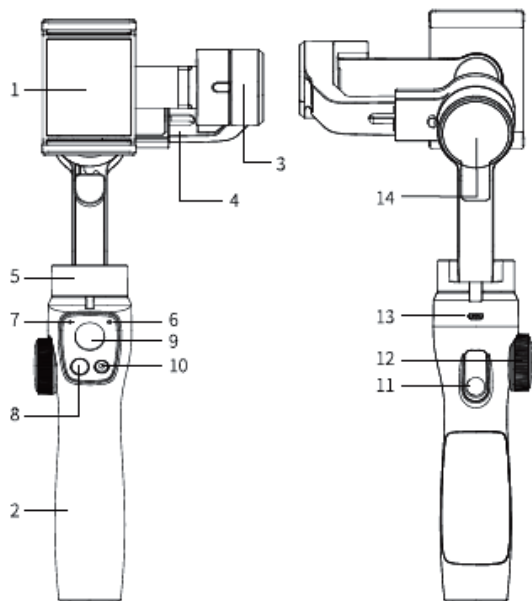
如需维修，请联系您的经销商，或通过以下方式联系返映科技客服：
邮箱：Support@fun-snap.com
客服电话：400-869-2901
微信/微博：返映科技
官网：www.fun-snap.com

以上售后政策及保修条款仅适用于中国大陆地区。深圳市返映科技有限公司保留未经宣告，对以上政策及条款内容进行修改的权利。

1.Introduction

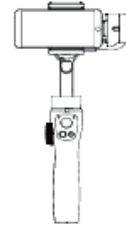
The Capture 2 Gimbal is a three-axis handheld gimbal specially designed for mobile phones. It assists mobile phone shooting, effectively eliminating the external jitter caused by the shooting process, and creating stable and smooth images. The Capture 2 Gimbal supports the horizontal and vertical position of the mobile phone. The shooting angle of the mobile phone can be adjusted manually and quickly by controlling the button to meet the needs of daily shooting and film production.

Using it with the **CAPTURE 2** APP, you can experience a variety of photography functions such as hyperlapse, smart tracking, and panorama.



- | | | |
|------------------------|---------------------|------------------|
| 1.Mobile Phone Holdert | 2.Handle | 3.Tilt Motor |
| 4.Adjustable Arm | 5.Pan Motor | 6.Mode Indicator |
| 7.Battery Indicator | 8.Power/Mode Button | 9.Joystick |
| 10.Shooting Button | 11.Trigger Button | 12.Zooming Wheel |
| 13.Micro USB | 14.Roll Motor | |

2.Packing List



Gimbal x 1



Power Cable x 1



Instructions x 1
Customer Service Card x 1

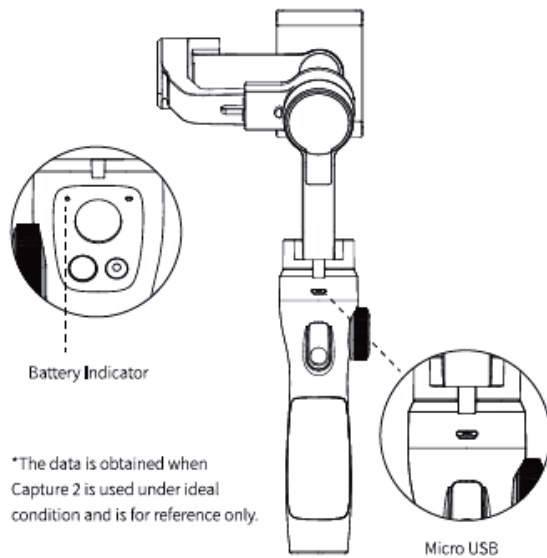
3.Download and Install APP

Search for "Capture 2" on the App Store, or scan the QR code, and install the APP on your mobile phone.



4.Charging

- To charge the Capture 2 Gimbal, connect the Gimbal to the charger via power cable. The charging time is about 2.5 hours and the max run-time is 12 hours.
- The red LED flashes when charging, and the green LED is always on when the charging is completed.



*The data is obtained when Capture 2 is used under ideal condition and is for reference only.

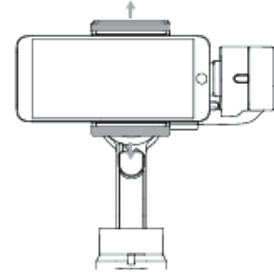
- You can check the battery status via the battery indicator. The green LED is on when the battery is fully charged, the red LED is on when it is less than 30%, and the red LED flashes when it is less than 10%

5.Operation Instructions

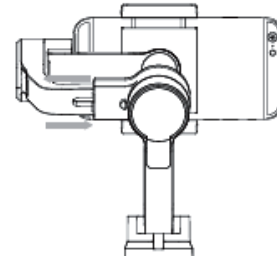
5-1.Mount the Mobile Phone

Please mount and balance the mobile phone when the Gimbal is powered off.

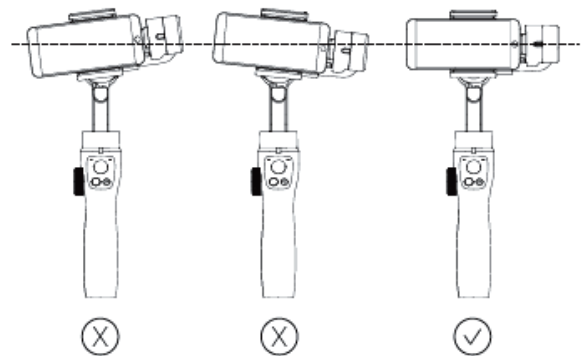
- a.Place the mobile phone in the mobile phone holder while pulling out the holder. It is recommended to keep the mobile phone close to the right.



- b.Please mount and balance the mobile phone when the Gimbal is powered off.



Install your phone correctly



5-2. Turn On/Off



On:
Press the Power Button for 3 seconds to power on after balancing the mobile phone.

Off:
Press the power button for 3 seconds to power off.

5-3. Connect to APP



Power on the Gimbal



Enable Bluetooth on your mobile phone



Power on Capture 2 APP
Search Bluetooth and connect to the Gimbal

5-4. Controls

- Battery Indicator
- Mode Indicator
- ☑ Power Lamp
- M Operating Mode



Joystick
Pan or tilt the mobile phone.



Power/Mode Button
Press for 3 seconds to power on/off, and tap once to switch the mode.



Shooting Button
Tap once to shoot and press for 2 seconds to record a video, and tap once again to end recording



Trigger Button
Press and hold for switch to Lock Mode, and release it to Origin Mode;
Tap twice quickly to switch to the power-on state.
You can define the function of Trigger Button as phonego mode in APP.



Zooming Wheel
Rotate it to zoom in/out; Press and then rotate to tilt the mobile phone; can also define and set specific functions in APP, eg, pan the mobile phone via focusing wheel,

5-5. Mode Description

| Button Mode | Indicator Status | Mode/Status | Description |
|--|------------------|------------------|--|
| Power on default | Green | Full-follow Mode | The roll axis is locked, the pan axis and the tilt axis follows the handle movement. |
| Tap Mode Button | Red | Lock Mode | The roll axis, the tilt axis and the pan axis are locked, and the shooting scene is locked in the current direction. |
| Tap Mode Button | Blue | Pan-follow Mode | The tilt axis and the roll axis are locked, and the pan axis follows the handle movement. |
| Note: click the power button to cycle the above three modes successively, and the current mode can be identified according to the color of indicator light and the state of cradle head. | | | |
| Define Gimbal Mode in APP | Green | PhoneGo mode | Define the function of Trigger Button as phonego mode in APP, press Trigger Button for instant scene transition. |
| | Red | FPV Mode | Switch the setting mode in APP to FPV mode, and the roll axis follows the handle movement to capture the scene with rotating effect. |

6. Calibration

If there is an offset after power on, please place the mobile phone on the Gimbal, connect to APP via Bluetooth, tap the Calibration Button while the Gimbal remains still, and wait for 15 seconds. During this time, the Gimbal will automatically calibrate and sleep, and restart in seconds.



7. Teaching Video

Scan the code to view the teaching video



8. Basic parameters

| | |
|-----------------------|--|
| CMIIT ID | XXXXXXXXXX |
| Dimension | 295x113x72mm |
| Weight | 500g |
| Model No. | Capture 2 |
| Max Control Speed | 5°/s |
| Mobile Phone Width | 55-90mm |
| Controllable Models | Mobile phone under 6.5 inches GOPRO camera 4/5/6/7 |
| Max Payload | 250g |
| Battery Capacity | 5V |
| Operating Voltage | 18650LiB 2200 mAh*2 |
| Operation Voltage | 100mA-2000mA (Standard 150mA) |
| Operation Temperature | 0~40°C |
| Operation Time | 12 Hours |
| Charging Time | 2.5 Hours |
| Accessory Interface | 1/4 inch Threaded interface |

9. Warranty

| | |
|--|--------------------|
| Capture 2 Gimbal (Battery Included) | 12 months |
| Capture 2 Power Cable | No warranty period |

10. Disclaimer and Warning

Congratulations on purchasing Capture 2 Gimbal.

The information in the document affects your safety and your legal rights and responsibilities. Read the document carefully to ensure proper use and setting before use. Failure to read and follow instructions and warnings in the document may result in serious injury to yourself or others, damage to your Capture 2 Gimbal product, or damage to other objects in the vicinity.

Funsnap Technology reserves the right of the final interpretation of the document. All contents are subject to change without further notice. Please visit Funsnap Technology (www.fun-snap.com) for latest product information.

By using this product, you hereby signify that you have read this disclaimer and warning carefully and that you understand and agree to abide by the terms and conditions herein. Funsnap accepts no liability for damage, injury or any legal responsibility incurred directly or indirectly from the use of this products. The user shall observe safe and lawful practices including, but not limited to, those set forth in the document.

▲ Safety Guidelines

1. Capture 2 Gimbal is not water-resistant. DO NOT allow the product to come into contact with any kind of liquid. DO NOT leave product out in the rain or near a source of moisture. DO NOT drop the product into water. If the inside of the battery comes into contact with water, chemical decomposition may occur, potentially resulting in the battery catching on fire, and may even lead to an explosion.

2. Put out any product immediately so as not to cause serious damage.

3. The product should be used in temperatures from 0°C to 40°C. DO NOT heat the product. Too high or too low temperature may shorten the service life of the product.

4. Please pay attention to the safety of the product. DO NOT crash, strike or drop the product. DO NOT place heavy objects on the product.

5. Never disassemble the product in any way or the battery may leak, catch fire, or explode.

6. Discharge the battery to 40%–65% if it will NOT be used for long periods of time. DO NOT store the product fully discharged for long periods of time, otherwise it will over discharge and lead to permanent damage. Discharge every 3 months or so to maintain battery activity.

NOTE: This equipment has been tested and found to comply with the limits for a Class B digital device, pursuant to part 15 of the FCC Rules. These limits are designed to provide reasonable protection against harmful interference in a residential installation.

This equipment generates, uses and can radiate radio frequency energy and, if not installed and used in accordance with the instructions, may

cause harmful interference to radio communications.

However, there is no guarantee that interference will not occur in a particular installation. If this equipment does cause harmful interference to radio or television reception, which can be determined by turning the equipment off and on, the user is encouraged to try to correct the interference by one or more of the following measures:

- Reorient or relocate the receiving antenna.
- Increase the separation between the equipment and receiver.
- Connect the equipment into an outlet on a circuit different from that to which the receiver is connected.
- Consult the dealer or an experienced radio/ TV technician for help.

Warning: Changes or modifications to this unit not expressly approved by the part responsible for compliance could void the user's authority to operate the equipment.

FCC Radiation Exposure Statement

The device has been evaluated to meet general RF exposure requirement. The device can be used in portable exposure condition without restriction.

FCC ID: 2APVH-CAPTURE2

Warranty Card

Product Name User Name
Product Serial Number Contact Phone Number
Dealer Date of purchase
Contact number CMIT ID

Maintenance Records

| Repair Date | Fault and Repair Conditions |
|-------------|-----------------------------|
| | |
| | |
| | |
| | |

The following conditions are not covered by the

Warranty:

1. Any alterations, disassembly, repairs, or repairs not authorized by the manufacturer.
2. Failure or damage to the product caused by a failure to install, use, maintain or store the product in accordance with the instructions.
3. Failure to provide valid proof of purchase or documents that have been forged or altered.
4. Due to irresistible factors (such as fire, earthquake, flood etc.) causing failure or damage.
5. Other failures caused by non-product quality related events.

For repairs, please contact your dealer or contact customer service:

Email: Support@fun-snap.com

Facebook ID: Funsnap TECH

Web: www.fun-snap.com

Funsnap Technology Co., Ltd., reserves the right to modify the contents of the above policies and articles without prior announcement. For the latest version please visit the official website.