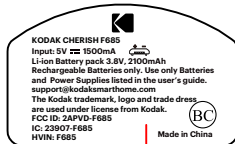
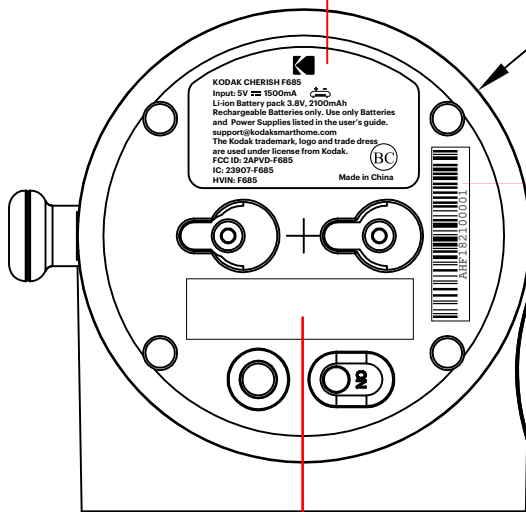


Rating Label
30X18mm



Ø60,00



SN Label
23X5mm



UDID Label
30X8mm

Serial Number label Format:

- 1st place A: Factory code, at present, use A for Alford
- 2nd place H: Model-Brand, use B for IP CAM Kodak,
- 3rd place F: Series-pack , use F for F685,
- 4th & 5th place YY: year,
- 6th & 7th place WW: based on calendar week set is final assembled,
- 8th – 12th place: sequential ascending numbering, starting with 00001

- 1) Colour: White background black letters
- 2) Material: adhesive label with plastic lamination on top
- 3) Size : 45 x 6mm(On Unit)