

The background of the page is a teal color with a subtle, wavy texture that resembles water or a liquid surface. The texture is more pronounced in the upper left and bottom sections, while the middle section is a solid, lighter teal.

DATA SHEET

P/N: DP2420ACJW-130G3PUPS



Contents

1. Product Description	1
2. Features.....	1
3. Overall Performance.....	2
4. Product Characteristics	3
4.1 VSWR.....	3
4.2 Radiation Pattern.....	4
5. Product Drawing.....	5
6. ROHS.....	5
7. Cable Data Sheet.....	6

Version Information

Version	Date	Author	Note
1.0	Apr 14, 2020	Ryan	Initial Draft
1.1	Apr 17, 2020	Ryan	Correct the antenna dimensions
1.2	May 25, 2020	Ryan	Update Drawing
1.3	May 26, 2020	Ryan	Update Drawing
1.4	June 24, 2020	Liuyangyao	Update Drawing

1. Product Description

Model DP2420ACJW-130G3PUPS product is designed with patented technology. DP2420ACJW-130G3PUPS is a single band antenna which has features of easy integration, can be directly connected to the product. The connector can be customized according to customer's request. This antenna was designed to accommodate most WLAN applications, such as access points, routers, and gateways.

2. Features

The Model DP2420ACJW-130G3PUPS Antenna is defined by following features:

- IEEE 802.11 b/g/n/ax standards
- 3.0dBi peak gain@2.44GHz
- High Efficiency
- Quick Integration



Figure 1: Model DP2420ACJW-130G3PUPS Antenna



3. Overall Performance

CHARACTERISTICS	SPEC
Frequency Range	2.4-2.49GHz
Peak Gain	3.0dBi@2.44GHz
VSWR	<2
Power Handling	30 dBm
Feed Impedance	50 ohms
Antenna Dimensions	17.16 × 92.9mm
Operating Temperature	-30 ° C to +75 ° C
Humidity Range	5% to 95% non-condensing
RF Cable	RF1.3
Antenna Type	Dipole Antenna

4. Product Characteristics

Measuring the VSWR & radiation pattern of DP2420ACJW-130G3PUPS in a non-interference environment.

4.1 VSWR



Figure 2: Model DP2420ACJW-130G3PUPS VSWR



4.2 Radiation Pattern

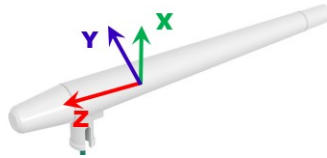


Figure 3: Model DP2420ACJW-130G3PUPS Measurement Axes

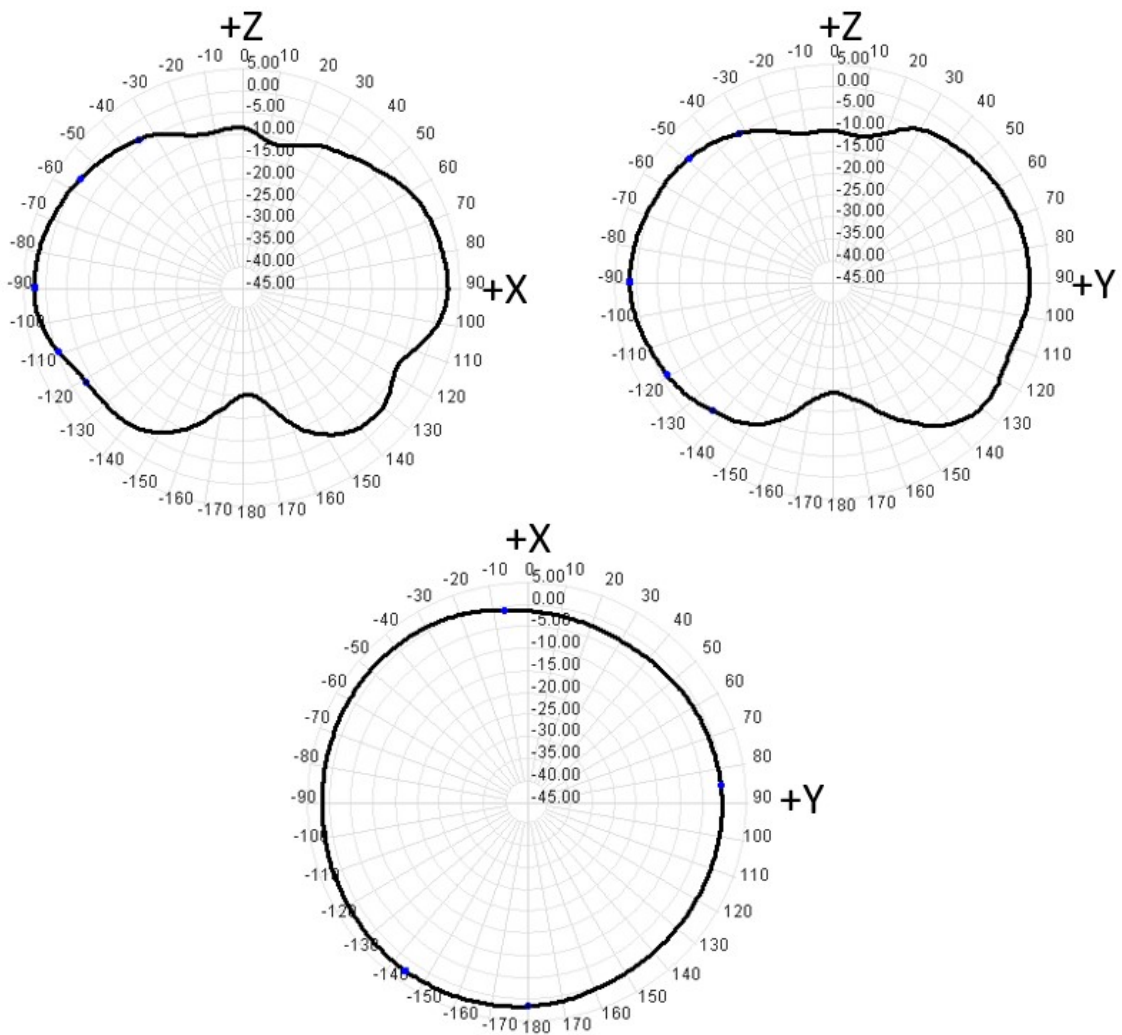


Figure 4: Model DP2420ACJW-130G3PUPS Radiation Patterns at 2.44 GHz

5. Product Drawing

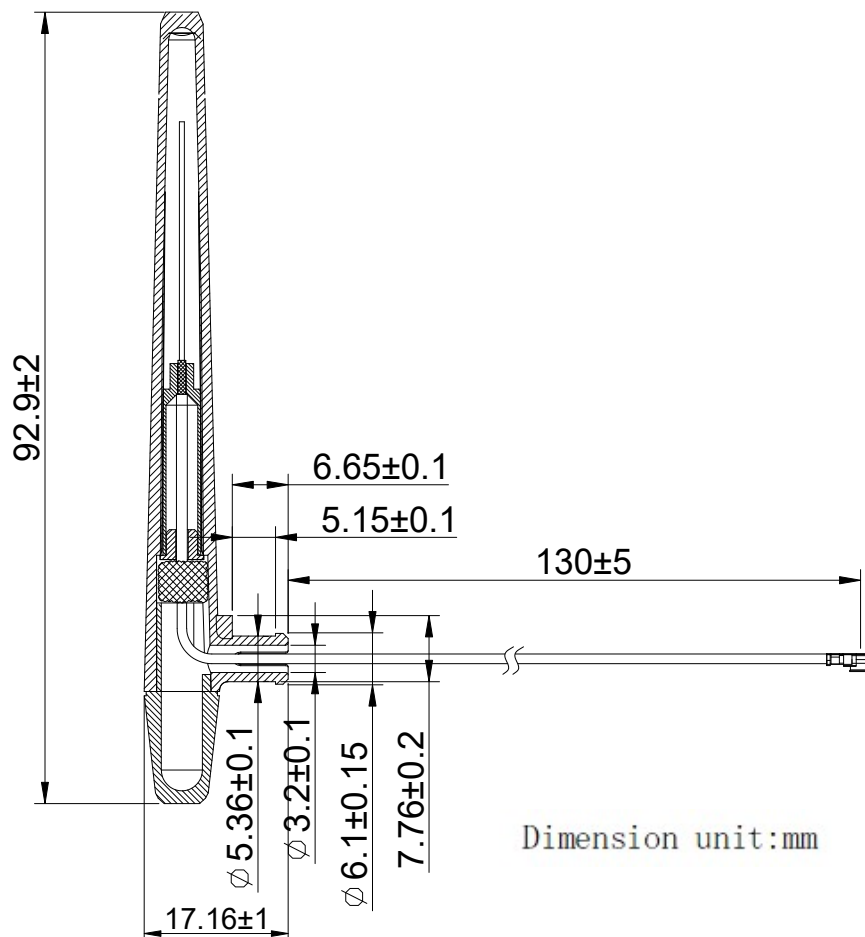


Figure 5: Model DP2420ACJW-130G3PUPS Dimensions

6. ROHS

Model DP2420ACJW-130G3PUPS antenna is RoHS compliant.

7. Cable Data Sheet

Item	Specification	
Cable type	OD1.3	
Impedance	50 ± 3 ohms	
Inner conductor	Material	Tin-coated copper
	Conductor numbers	7
	Conductor size	0.08 ± 0.005mm
	Outer diameter	0.24 ± 0.01 mm
Dielectric layer	Material	PE
	Color	Clear
	Diameter	0.7 ± 0.03 mm
Braid (shielding)	Material	Tin-coated copper
	Conductor size: total / O.D. Of every wire(mm)	16/4/0.05± 0.005 mm
	Coverage	≥90%
	Diameter	0.92 ± 0.03 mm
Outer cover	Material	PE
	Color	Gray
	Diameter	1.3 ± 0.05 mm
VSWR testing	< 1.4@0~6GHz	
Cable loss (dB/meter)	1GHz	≤2.2
	2GHz	≤3.1
	3GHz	≤4.0
	4GHz	≤4.7
	5GHz	≤5.2
	6GHz	≤6.0
Operating temperature	-40°C~+80°C	