

SCANSTRUT

Input Voltage: 10-30V DC (12/24V System)

Input current max: 2A

Output power max: 10W(9V,1.1A)

Standby power draw: <0.2W

Part number: SC-MAG-01

FCC ID: 2APUP-SC-MAG-01

IC:28360-SCMAG01

RoHS

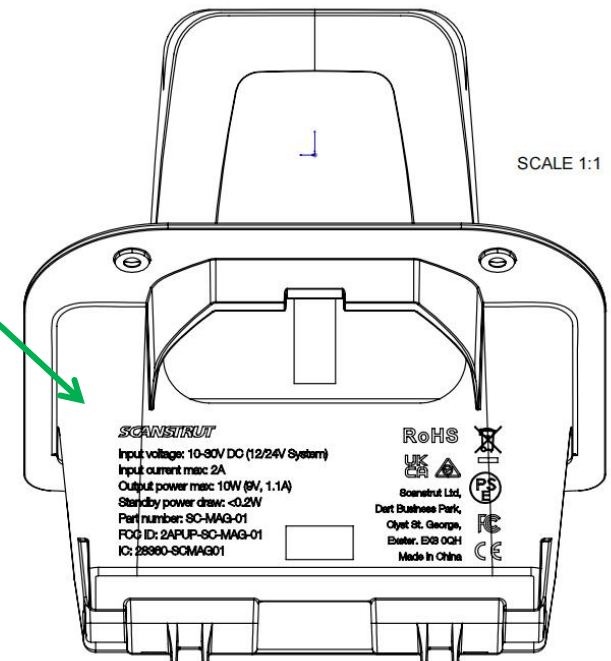
**UK
CA**



Scanstrut Ltd,
Dart Business Park,
Clyst St. George,
Exeter. EX3 0QH
Made in China



SCALE 1:1



FCC标签信息在产品背面

SCANSTRUT

Input Voltage: 10-30V DC (12/24V System)

Input current max: 2A

Output power max: 10W(9V,1.1A)

Standby power draw: <0.2W

Part number: SC-MAG-01

FCC ID: 2APUP-SC-MAG-01

IC:28360-SCMAG01

RoHS

**UK
CA**



Scanstrut Ltd,
Dart Business Park,
Clyst St. George,
Exeter. EX3 0QH
Made in China



SCANSTRUT

Input Voltage: 10-30V DC (12/24V System)

Input current max: 2A

Output power max: 10W(9V,1.1A)

Standby power draw: <0.2W

Part number: SC-MAG-12F

FCC ID: 2APUP-SC-MAG-01

IC:28360-SCMAG01

RoHS

**UK
CA**



Scanstrut Ltd,
Dart Business Park,
Clyst St. George,
Exeter. EX3 0QH
Made in China

