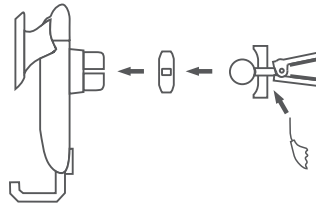


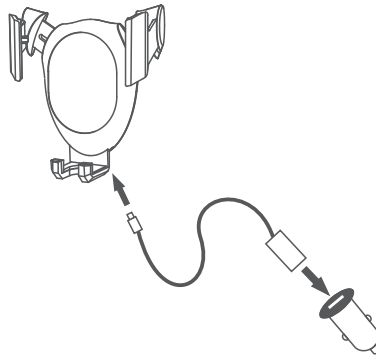


1



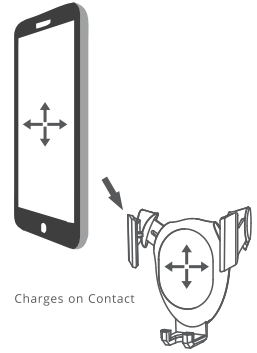
Enter your car mount in the Air Vent

2

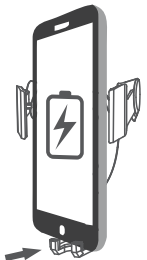


Plug in the power supply

3



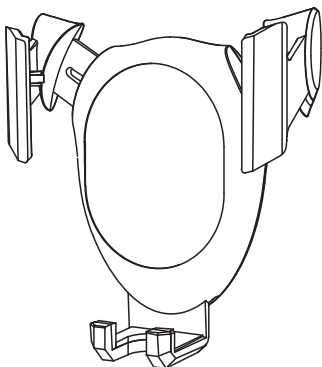
Charges on Contact



Charge Indicator

**Enjoy convenient wireless charging,
just put your phone and go.**

Wireless Space Car Charger



Model Name: ANU-C1801-2,
ANU-C1801-1, ANU-C1801-3

QUICK START GUIDE

Product and Safety notice Information
Manufacture: Shenzhen AiNaU Technology Co., Ltd.

INTRODUCTION

Wireless Space Car Charger - Combine innovative design and advanced technology, get rid of the danger of wired plugging when you are driving and allow you to place your device at a perfect angle while driving for GPS navigation, speakerphone, music control and

PACKING CONTENTS

Wireless Car Charger x1

Cable x1



SPECIFICATION



5W Wireless Charger:

Model: ANU-C1801-1
Input: 5V-2A
Power: 5W
FREQUENCY: 122KHz-174KHz
Distance: 3-8mm
Efficiency \geq 75%



10W Wireless Charger:

Model: ANU-C1801-2
Input: 5V-2A / 9V-2A
Power: 10W
FREQUENCY: 122KHz-174KHz
Distance: 3-8mm
Efficiency \geq 75%



7.5W Wireless Charger:

Model: ANU-C1801-3
Input: 5V-2A / 9V-2A
Power: 7.5W
FREQUENCY: 122KHz-174KHz
Distance: 3-8mm
Efficiency \geq 75%

SAFETY INSTRUCTIONS

1. Please read these instructions before using the device to ensure safe and proper use.
2. Use indoors and in a dry location only; keep away from wet or damp locations.
3. Do not store your device in very hot or very cold areas. It is recommended to use your device at room temperatures.
4. If this device is intended by Purchaser to be used by a minor, purchasing adult agrees to provide detailed instructions and warnings to any minor prior to use. Failure to do so is sole responsibility of purchaser, who agrees to indemnify Manufacturer for any unintended use/misuse by a minor.
5. Caution: If you experience problems with the wireless charging base, please discontinue use, unplug the car charger of the wireless charging base, and connect the manufacturer for assistance.
6. Do not use if visible defects are observed on the wireless charging pad or car charger. Do not attempt to service or disassemble.

Made in China

FCC Caution.

This device complies with part 15 of the FCC Rules. Operation is subject to the following two conditions:

- (1) This device may not cause harmful interference, and
- (2) this device must accept any interference received, including interference that may cause undesired operation.

Any Changes or modifications not expressly approved by the party responsible for compliance could void the user's authority to operate the equipment.

Note: This equipment has been tested and found to comply with the limits for a Class B digital device, pursuant to part 15 of the FCC Rules. These limits are designed to provide reasonable protection against harmful interference in a residential installation. This equipment generates uses and can radiate radio frequency energy and, if not installed and used in accordance with the instructions, may cause harmful interference to radio communications. However, there is no guarantee that interference will not occur in a particular installation. If this equipment does cause harmful interference to radio or television reception, which can be determined by turning the equipment off and on, the user is encouraged to try to correct the interference by one or more of the following measures:

- Reorient or relocate the receiving antenna.
- Increase the separation between the equipment and receiver.
- Connect the equipment into an outlet on a circuit different from that to which the receiver is connected.
- Consult the dealer or an experienced radio/TV technician for help.