

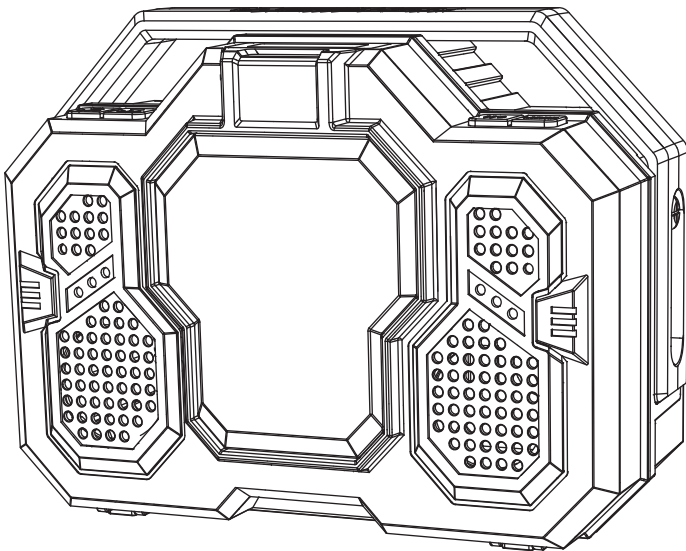
HYCHIKA®

BETTER TOOLS FOR BETTER LIFE

Instruction Manual

Portable Radio/LED Light

AST315



the fact that the *de novo* synthesis of cholesterol is inhibited by the presence of cholesterol in the diet.

There are several reasons why the *de novo* synthesis of cholesterol is inhibited by the presence of cholesterol in the diet.

First, the presence of cholesterol in the diet increases the levels of cholesterol in the blood.

Second, the presence of cholesterol in the diet increases the levels of cholesterol in the liver.

Third, the presence of cholesterol in the diet increases the levels of cholesterol in the intestines.

Fourth, the presence of cholesterol in the diet increases the levels of cholesterol in the skin.

Fifth, the presence of cholesterol in the diet increases the levels of cholesterol in the brain.

Sixth, the presence of cholesterol in the diet increases the levels of cholesterol in the muscles.

Seventh, the presence of cholesterol in the diet increases the levels of cholesterol in the bones.

Eighth, the presence of cholesterol in the diet increases the levels of cholesterol in the hair.

Ninth, the presence of cholesterol in the diet increases the levels of cholesterol in the nails.

Tenth, the presence of cholesterol in the diet increases the levels of cholesterol in the teeth.

Eleventh, the presence of cholesterol in the diet increases the levels of cholesterol in the eyes.

Twelfth, the presence of cholesterol in the diet increases the levels of cholesterol in the ears.

Thirteenth, the presence of cholesterol in the diet increases the levels of cholesterol in the nose.

Fourteenth, the presence of cholesterol in the diet increases the levels of cholesterol in the mouth.

Fifteenth, the presence of cholesterol in the diet increases the levels of cholesterol in the throat.

Sixteenth, the presence of cholesterol in the diet increases the levels of cholesterol in the lungs.

Seventeenth, the presence of cholesterol in the diet increases the levels of cholesterol in the stomach.

Eighteenth, the presence of cholesterol in the diet increases the levels of cholesterol in the small intestine.

Nineteenth, the presence of cholesterol in the diet increases the levels of cholesterol in the large intestine.

Twentieth, the presence of cholesterol in the diet increases the levels of cholesterol in the rectum.

Twenty-first, the presence of cholesterol in the diet increases the levels of cholesterol in the anus.

Twenty-second, the presence of cholesterol in the diet increases the levels of cholesterol in the vagina.

Twenty-third, the presence of cholesterol in the diet increases the levels of cholesterol in the penis.

Safety warning for work light

1. This is not a toy, children should not permit to use it.
2. This is a DIY product, all electronic parts fixed already, any intention of opening work-light or changing work-light design is prohibitive unless a professional electrician.
3. The light source of this luminaire is not replaceable, when the light source reaches its end of life the whole luminaire shall be replaced.
4. Do not attempt to replace or change or the diode lights! If the protective glass is cracked or broken, it must be replaced before the work light can be used again.

Additional safety instructions for batteries and chargers

Batteries

1. Never attempt to open for any reason.
2. Do not store in locations where the temperature may exceed 40 °C.
3. Charge only at ambient temperatures between 4 °C and 40 °C.
4. Charge only using the charger provided with the tool.
5. Do not cause short circuits. If connection is made between the positive (+) and negative (-) terminal directly or via accidental contact with metallic objects, the battery is short circuited and an intense current will flow causing heat generation which may lead to casing rupture or fire.
6. Do not heat. If batteries are heated to above 100 °C, sealing and insulating separators and other polymer components may be damaged resulting in electrolyte leakage and/or internal short circuiting leading to heat generation causing rupture or fire. Moreover do not dispose of the batteries in fire, explosion and/or intense burning may result.
7. Under extreme conditions, battery leakage may occur. When you notice liquid on the battery, proceed as follows:
 - Carefully wipe the liquid off using a cloth. Avoid skin contact.
 - In case of skin or eye contact, follow the instructions below:
 - Immediately rinse with water. Neutralize with a mild acid such as lemon juice or vinegar.
 - In case of eye contact, rinse abundantly with clean water for at least 10 minutes. Consult a physician.A Fire hazard! Avoid short-circuiting the contacts of a detached battery. Do not incinerate the battery.

Chargers(not included)

1. Micro USB cable was included. Recommend to use a charger with USB output 5V DC 2A.
2. Never attempt to charge non-rechargeable batteries.
3. Have defective cords replaced immediately.
4. Do not expose to water.
5. Do not open the charger.
6. Do not probe the charger.
7. The charger is intended for indoor use only.

Technical specifications

Charging Input	Max DC 5V, 2A
Charging Output	Max DC 5V, 2A
Lithium battery	3.7Vd.c.,8000mAh
Power	21W (LED:15W, Bluetooth Speaker:2x3W)
Brightness	300LM/750LM/1500LM
Color Temperature	5000K
FM bands	87.5-108MHz
RF Transmit Power	Max 4dBm

1.MAJOR COMPONENTS

The LED work light comes with two speakers and built in Bluetooth/FM capabilities. This is not a toy.

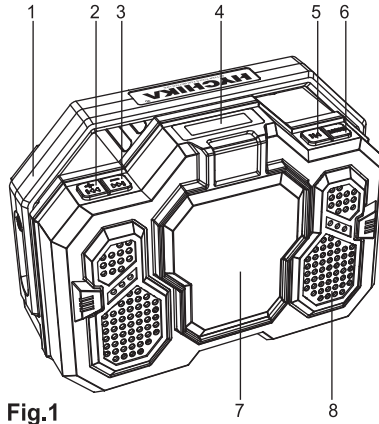


Fig.1

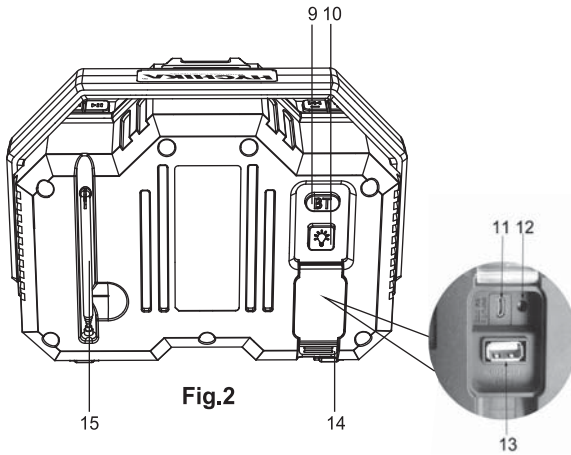








Fig.2

1. Carrying handle
2. Volume button U+H / Previous
3. Volume button / Next
4. LCD display
5. Pause/play button
6. Mode button
7. LED lamp assembly
8. Speaker
9. Bluetooth button
10. LED on/off button
11. Charging input socket
12. Power light
13. Charging output socket
14. Protection cover
15. Radio antenna

OPERATION

DESCRIPTION OF FUNCTION

	Short press: Move Previous; Touch and hold: Volume Up.
	Short press: Move Next; Touch and hold: Volume Down.
	Short press: Pause or Play FM Mode: Touch and hold: Automatically searches and stores channels, the sequence of stored radio channels is represented by P1,P2,P3,P4,...
<p>MODE</p>	Bluetooth/FM switch function
	ON/OFF button of Bluetooth
	LED ON/OFF button
	LCD display

CHARGING THE WORK LIGHT (Fig. 2)

1. Open the protection cover (14).
2. Plug the USB cable with adapter (not supplied) into the charging input socket (11). The charging indicator beside the charging input socket will be lit and turn red to show the battery is charging.
3. When the battery is loaded, the charging indicator keeps red light until the charger disconnect from the mains.

NOTE: Put the protective cap into charging socket before unplug which is avoiding dust enter.

LED ON/OFF BUTTON

The work light is equipped with an LED on/off button (10) located on the back side of the work light which can adjust the LED work light's brightness.

With ON/OFF switch: 25% brightness; 2nd press: 50% brightness; 3rd press: 100% brightness; 4th press: OFF.

NOTE: Keep this unit away from water when charging. Unplug from the mains when using outdoors.

WARNING: Do not stare directly at the light beam. Never aim the beam at any person or an object other than the work piece. Do not deliberately aim the beam at personnel and ensure that it is not directed towards the eye of a person for longer than 0.25s.

BLUETOOTH/FM MODE

The work light is equipped with a Bluetooth button (9) which located on the back side of the work light. The function of Bluetooth button:

With button: Bluetooth ON.

To select Bluetooth or FM function by depress the mode button (6). It also shows BT or FM on the LCD display (4).

2nd press: Bluetooth OFF;

1. BLUETOOTH MODE

Bluetooth connection allows easy connection to smartphones and tablets.

Open the Bluetooth function of smartphones or tablets, its screen will shows "AST315" on the equipment bar. Choose equipment "AST315" to connect the Bluetooth of LED work light.

NOTE: There is a different prompt tone while the switch (2) is ON or the smartphones/tablets connect to the Bluetooth.
Prompt tone: Bluetooth mode, the Bluetooth device is ready to pair and the Bluetooth device is connected successfully.

2. FM MODE

To pull the radio antenna (15) out and select FM function by depress the mode butt on (6).

NOTE: Prompt tone: "FM tuner".

USB OUTPUT



Fig.3

The USB DC 5V 2A charging output socket (13) can be used for all kinds of device which can be charged by USB, such as mobile phone, MP3/MP4, Bluetooth headset and etc.

NOTE: To begin outbound charging, first plug the USB end of the cable into the port, and then plug the other end into your device.

●cable not in eluded

MAINTENANCE

Your work light requires very little care and maintenance. Simply clean the lens regularly with a non-abrasive cleaner, we recommend the work light to be completely discharged every one month and fully recharged again .Only store with a fully charged battery and top-up the charge from time to time if stored for a long time (we recommend the work light to be completely discharged every three month and fully recharged again). Store in a dry and frost-free place, the ambient temperature should not exceed 40°C.



WARNING: Always make sure the work light is off and complete cool before attempting to clean it.

FCC Warning

This device complies with Part 15 of the FCC Rules. Operation is subject to the following two conditions:

(1) This device may not cause harmful interference, and (2) this device must accept any interference received, including interference that may cause undesired operation.

NOTE 1: This equipment has been tested and found to comply with the limits for a Class B digital device, pursuant to part 15 of the FCC Rules. These limits are designed to provide reasonable protection against harmful interference in a residential installation. This equipment generates uses and can radiate radio frequency energy and, if not installed and used in accordance with the instructions, may cause harmful interference to radio communications. However, there is no guarantee that interference will not occur in a particular installation. If this equipment does cause harmful interference to radio or television reception, which can be determined by turning the equipment off and on, the user is encouraged to try to correct the interference by one or more of the following measures:

- Reorient or relocate the receiving antenna.
- Increase the separation between the equipment and receiver.
- Connect the equipment into an outlet on a circuit different from that to which the receiver is connected.
- Consult the dealer or an experienced radio/TV technician for help.

NOTE 2: Any changes or modifications to this unit not expressly approved by the party responsible for compliance could void the user's authority to operate the equipment.

Manufacturer: TSP Tool Group LIMITED

Web: www.HYCHIKA.com

E-mail: support@HYCHIKA.com

ADD: RM 1405A CHUANG KLU COMM BLDG 47-51

SHAN TUNG ST MONGKOK, HK, China

Made in China

