

150mm


100mm

Bamboo Wireless Charging Station Instruction Manual

Please read the following carefully before using the device to ensure safe and proper use.

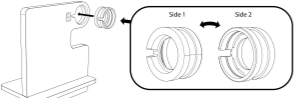
Package Content
 Wireless charger unit
 User Manual
 USB-A to USB-C charging cable
 Silicone sleeve for mounting your watch charger

Specifications
 Input: DC 5V/2A; DC 9V/4A
 Output 1: 15W Max. for charging Qi-enabled phones or devices
 Output 2: 5W Max. for charging AirPods 2/ AirPods Pro (Requires the wireless charging case)



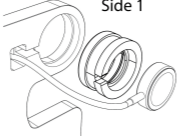
Instructions

1. Connect the unit with a wall charger using the included cable or another quality Type-C charging cable and plug the wall charger into an electronic socket.
2. When placing the phone on output 1 (15W) or AirPods 2/AirPods Pro (Requires the wireless charging case) on output 2 (5W) locations, wireless charging start.
3. This wireless charging station comes with a dual sided 2-in-1 rubber gasket that is compatible with both Apple Gen 1 and Gen2 watch chargers as well as Samsung watch chargers.



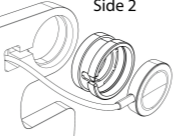
4. Place your Apple or Samsung Watch wireless charger into the rubber gasket and route the wire behind this wireless charging station.

Side 1



For Apple Watch Charger Gen 2

Side 2



For Apple Watch Charger Gen 1 and Samsung Watch Charger

General usage tips

- When using charging adapters with only 5V/2A, the wireless output only supports 5W.
- While using QC or PD adapters with 9V/4A, the wireless output can support 15W, simultaneously charging multiple devices is supported.
- For a better wireless charging experience, remove phone cases.
- Charging times vary based on phone model, battery capacity, input specifications, current energy consumption, phone placement, distance, and other technical restrictions.
- Do not use a computer or laptop USB port as a power supply. Computer or laptop USB ports do not provide sufficient power for the product to function.

Safety information

- Do not use damaged power cords, wall plugs, or loose electrical sockets with the product.
- Do not use if the product is damaged.
- Do not drop or cause an impact on the product.
- Do not disassemble, modify, or repair the product.
- Do not place metal objects between the phone and the wireless charger or on top of the wireless charger.
- Keep product away from water or humid environments.

FCC STATEMENT :

This device complies with Part 15 of the FCC Rules.

Operation is subject to the following two conditions:

- (1) This device may not cause harmful interference, and
- (2) This device must accept any interference received, including interference that may cause undesired operation.

Warning: Changes or modifications not expressly approved by the party responsible for compliance could void the user's authority to operate the equipment.

NOTE: This equipment has been tested and found to comply with the limits for a Class B digital device, pursuant to Part 15 of the FCC Rules. These limits are designed to provide reasonable protection against harmful interference in a residential installation. This equipment generates uses and can radiate radio frequency energy and, if not installed and used in accordance with the instructions, may cause harmful interference to radio communications. However, there is no guarantee that interference will not occur in a particular installation. If this equipment does cause harmful interference to radio or television reception, which can be determined by turning the equipment off and on, the user is encouraged to try to correct the interference by one or more of the following measures:

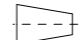

- Reorient or relocate the receiving antenna.
- Increase the separation between the equipment and receiver.
- Connect the equipment into an outlet on a circuit different from that to which the receiver is connected.
- Consult the dealer or an experienced radio/TV technician for help.

FCC Radiation Exposure Statement:

This equipment complies with FCC radiation exposure limits set forth for an uncontrolled environment. This equipment should be installed and operated with minimum distance 20cm between the radiator & your body.

FC

150*100mm 70g书纸 双面印刷 对折一次

标准说明书	JMTek	图号	WPC880-SMS-JMT001	版次	第1版	材料		颜色		单位	mm
		型号	WPC880	日期	220705	设计	Steven	批准		客户回签	
		料号	70431-0250-01	第三角度投影		 	第 1 张 共 1 张				