



FCC TEST REPORT

Test report
On Behalf of
JMTek Industries(Shenzhen) Co., Ltd
For
Wireless Power Charger
Model No.: WPC22 Qi, WPC22W Qi, WPC22B Qi
FCC ID: 2APU5-WPC22QI

Prepared for : JMTek Industries(Shenzhen) Co., Ltd
14G, Innovation Tech Building, Quanzhi Science and Technology innovation
Park, ShaJing Street, Bao'an District, ShenZhen 518104, China

Prepared By : Shenzhen HUAK Testing Technology Co., Ltd.
1F, B2 Building, Junfeng Zhongcheng Zhizao Innovation Park, Fuhai Street,
Bao'an District, Shenzhen City, China

Date of Test: Apr. 16, 2019 ~ Apr. 23, 2019

Date of Report: Apr. 23, 2019

Report Number: HK1904150745-1E



TEST RESULT CERTIFICATION

Applicant's name : JMTek Industries(Shenzhen) Co., Ltd
 14G, Innovation Tech Building, Quanzhi Science and Technology
Address : innovation Park, ShaJing Street, Bao'an District, ShenZhen
 518104, China

Manufacture's Name..... : JMTek Industries(Shenzhen) Co., Ltd
 14G, Innovation Tech Building, Quanzhi Science and Technology
Address : innovation Park, ShaJing Street, Bao'an District, ShenZhen
 518104, China

Product description

Trade Mark: N/A
 Product name : Wireless Power Charger
 Model and/or type reference : WPC22 Qi, WPC22W Qi, WPC22B Qi

Standards : FCC Rules and Regulations Part 15 Subpart C (Section 15.209),
 ANSI C63.10: 2013

This publication may be reproduced in whole or in part for non-commercial purposes as long as the Shenzhen HUAKE Testing Technology Co., Ltd. is acknowledged as copyright owner and source of the material. Shenzhen HUAKE Testing Technology Co., Ltd. takes no responsibility for and will not assume liability for damages resulting from the reader's interpretation of the reproduced material due to its placement and context.

Date of Test :
 Date (s) of performance of tests : Apr. 16, 2019 ~ Apr. 23, 2019
 Date of Issue..... : Apr. 23, 2019
 Test Result..... : **Pass**

Testing Engineer : Gary Qian
 (Gary Qian)

Technical Manager : Eden Hu
 (Eden Hu)

Authorized Signatory : Jason Zhou
 (Jason Zhou)



Table of Contents		Page
1 . TEST SUMMARY		4
1.1 TEST PROCEDURES AND RESULTS		4
1.2 TEST FACILITY		4
1.3 MEASUREMENT UNCERTAINTY		4
2. GENERAL INFORMATION		5
2.1 General Description of EUT		5
2.2. Carrier Frequency of Channels		6
2.3 Operation of EUT during testing		6
2.4 Description of Test Setup		6
2.5 Measurement Instruments List		7
3. CONDUCTED EMISSION TEST		8
3.1 Block Diagram of Test Setup		8
3.2 Conducted Power Line Emission Limit		8
3.3 Test Procedure		8
3.4 Test Result		8
4. Occupied Bandwidth		11
4.1 Block Diagram of Test Setup		11
4.2 Rules and specifications		11
4.3 Test Procedure		11
4.4 Test Result		11
5. RADIA TED EMISSIONS		13
5.1 Block Diagram of Test Setup		13
5.2 Rules and specifications		14
5.3 Test Procedure		15
5.4 Test Result		15
6 ANTENNA REQUIREMENT		18
7. PHOTOGRAPH OF TEST		19
7.1 Radiated Emission		19
7.2 Conducted Emission		20
8. PHOTOGRAPH OF TEST		20



1. TEST SUMMARY

1.1 TEST PROCEDURES AND RESULTS

DESCRIPTION OF TEST	RESULT
CONDUCTED EMISSIONS TEST	COMPLIANT
RADIATED EMISSION TEST	COMPLIANT
OCCUPIED BANDWIDTH MEASUREMENT	COMPLIANT
ANTENNA REQUIREMENT	COMPLIANT

1.2 TEST FACILITY

Test Firm : Shenzhen HUAKE Testing Technology Co., Ltd.

Address : 1F, B2 Building, Junfeng Zhongcheng Zhizao Innovation Park, Fuhai Street, Bao'an District, Shenzhen City, China

1.3 MEASUREMENT UNCERTAINTY

Measurement Uncertainty	
Conducted Emission Expanded Uncertainty	= 2.23dB, k=2
Radiated emission expanded uncertainty(9kHz-30MHz)	= 3.08dB, k=2
Radiated emission expanded uncertainty(30MHz-1000MHz)	= 4.42dB, k=2
Radiated emission expanded uncertainty(Above 1GHz)	= 4.06dB, k=2



2. GENERAL INFORMATION

2.1 General Description of EUT

Equipment	Wireless Power Charger
Model Name	WPC22 Qi
Serial No.	WPC22W Qi, WPC22B Qi
Model Difference	All model's the function, software and electric circuit are the same, only with a product color and model named different. Test sample model: WPC22 Qi.
Trade Mark	N/A
FCC ID	2APU5-WPC22QI
Antenna Type	Coil Antenna
Antenna Gain	1dBi
BT Operation frequency	125KHz
Number of Channels	1
Modulation Type	ASK
Power Source	DC voltage
Power Rating	Input voltage: DC5V 2A From adapter Output voltage: DC5V, 1A



2.2. Carrier Frequency of Channels

Operation Frequency each of channel	
Channel	Frequency
1	125KHz

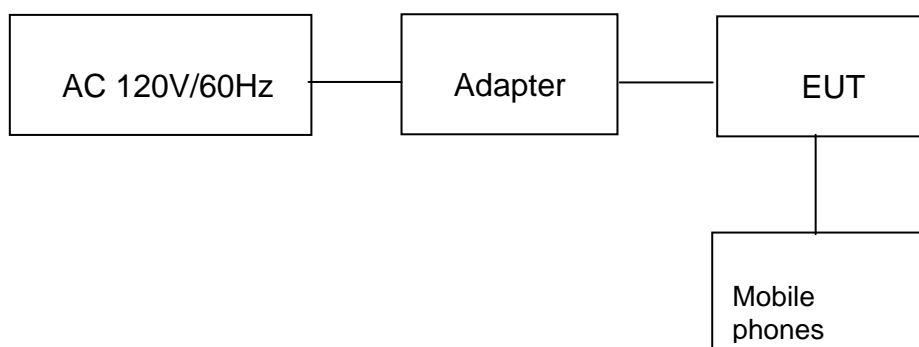
2.3 Operation of EUT during testing

Operating Mode

The mode is used: Transmitting mode

2.4 Description of Test Setup

Operation of EUT during testing



Setup: Transmission mode

- Adapter information
Model: HW-059200CHQ
Input: 100-240V~, 50/60Hz, 0.5A
Output: 5VDC, 2A
- Mobile phones information
Model: S6
Input: 5VDC



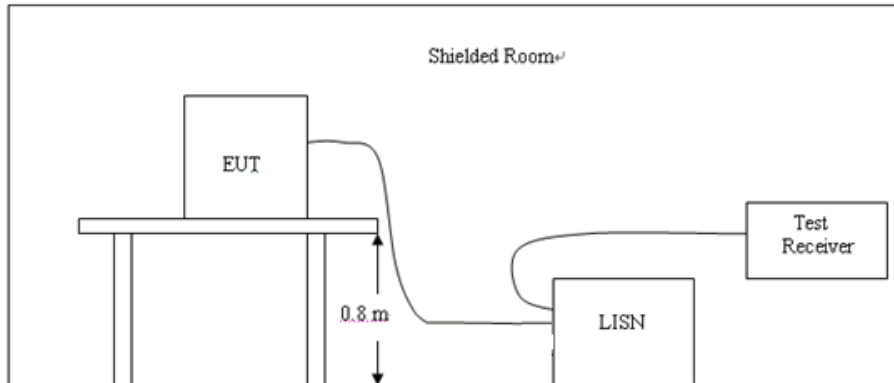
2.5 Measurement Instruments List

Item	Equipment	Manufacturer	Model No.	Serial No.	Last Cal.	Cal. Interval
1.	L.I.S.N. Artificial Mains Network	R&S	ENV216	HKE-002	Dec. 27, 2018	1 Year
2.	Receiver	R&S	ESCI 7	HKE-010	Dec. 27, 2018	1 Year
3.	RF automatic control unit	Tonscend	JS0806-2	HKE-060	Dec. 27, 2018	1 Year
4.	Spectrum analyzer	R&S	FSP40	HKE-025	Dec. 27, 2018	1 Year
5.	Spectrum analyzer	Agilent	N9020A	HKE-048	Dec. 27, 2018	1 Year
6.	Preamplifier	Schwarzbeck	BBV 9743	HKE-006	Dec. 27, 2018	1 Year
7.	EMI Test Receiver	Rohde & Schwarz	ESCI 7	HKE-010	Dec. 27, 2018	1 Year
8.	Bilog Broadband Antenna	Schwarzbeck	VULB9163	HKE-012	Dec. 27, 2018	1 Year
9.	Loop Antenna	Schwarzbeck	FMZB 1519 B	HKE-014	Dec. 27, 2018	1 Year
10.	Horn Antenna	Schwarzbeck	9120D	HKE-013	Dec. 27, 2018	1 Year
11.	Pre-amplifier	EMCI	EMC051845 SE	HKE-015	Dec. 27, 2018	1 Year
12.	Pre-amplifier	Agilent	83051A	HKE-016	Dec. 27, 2018	1 Year
13.	EMI Test Software EZ-EMC	Tonscend	JS1120-B Version	HKE-083	Dec. 27, 2018	N/A
14.	Power Sensor	Agilent	E9300A	HKE-086	Dec. 27, 2018	1 Year
15.	Spectrum analyzer	Agilent	N9020A	HKE-048	Dec. 27, 2018	1 Year
16.	Signal generator	Agilent	N5182A	HKE-029	Dec. 27, 2018	1 Year
17.	Signal Generator	Agilent	83630A	HKE-028	Dec. 27, 2018	1 Year
18.	Shielded room	Shiel Hong	4*3*3	HKE-039	Dec. 27, 2017	3 Year



3. CONDUCTED EMISSION TEST

3.1 Block Diagram of Test Setup



3.2 Conducted Power Line Emission Limit

According to FCC Part 15.207(a)

Frequency (MHz)	Maximum RF Line Voltage (dBμV)			
	CLASS A		CLASS B	
	Q.P.	Ave.	Q.P.	Ave.
0.15 - 0.50	79	66	66-56*	56-46*
0.50 - 5.00	73	60	56	46
5.00 - 30.0	73	60	60	50

* Decreasing linearly with the logarithm of the frequency

For intentional device, according to §15.207 Line Conducted Emission Limit is same as above table.

3.3 Test Procedure

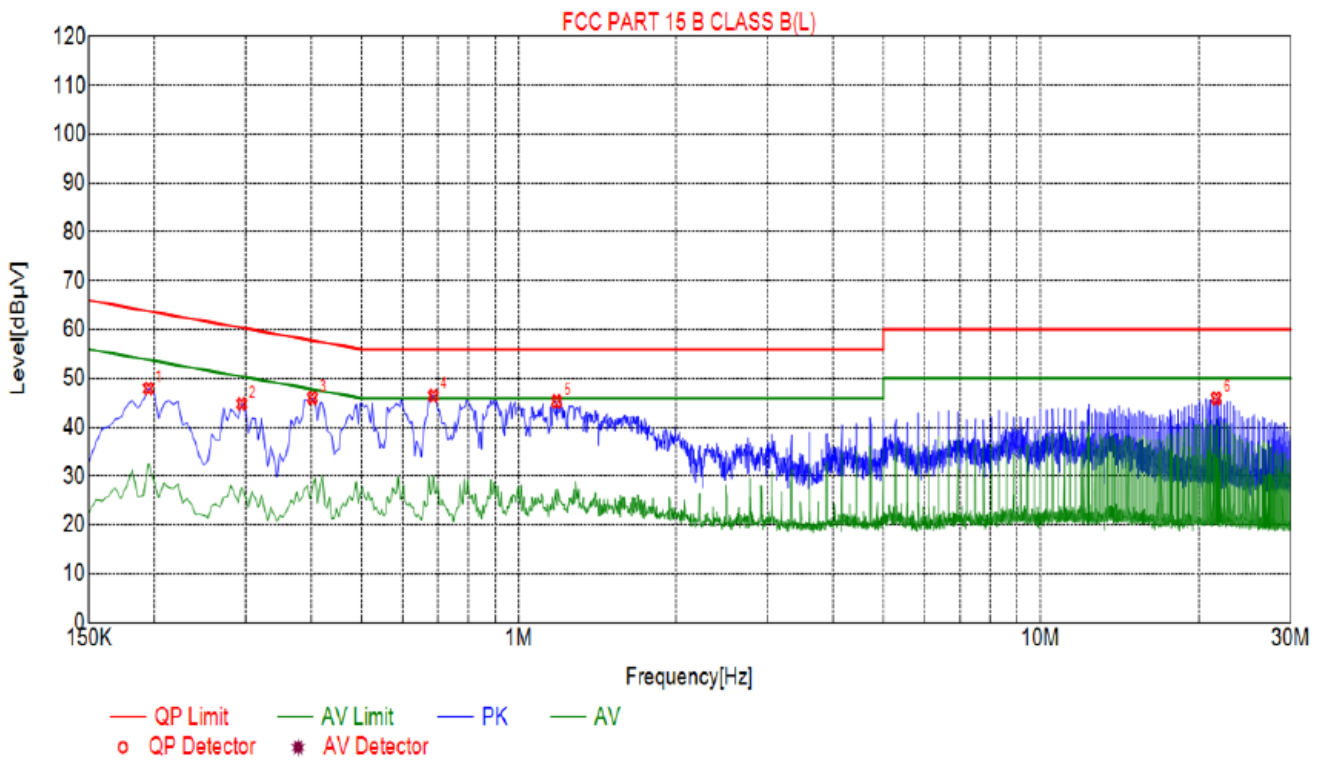
- 1, The equipment was set up as per the test configuration to simulate typical actual usage per the user's manual. The EUT is a tabletop system, a wooden table with a height of 0.8 meters is used and is placed on the ground plane as per ANSI C63.10.
- 2, Support equipment, if needed, was placed as per ANSI C63.10.
- 3, All I/O cables were positioned to simulate typical actual usage as per ANSI C63.10.
- 4, If a EUT received DC power from the USB Port of Notebook PC, the PC's adapter received AC120V/60Hz power through a Line Impedance Stabilization Network (LISN) which supplied power source and was grounded to the ground plane.
- 5, All support equipments received AC power from a second LISN, if any.
- 6, The EUT test program was started. Emissions were measured on each current carrying line of the EUT using a spectrum Analyzer / Receiver connected to the LISN powering the EUT. The LISN has two monitoring points: Line 1 (Hot Side) and Line 2 (Neutral Side). Two scans were taken: one with Line 1 connected to Analyzer / Receiver and Line 2 connected to a 50 ohm load; the second scan had Line 1 connected to a 50 ohm load and Line 2 connected to the Analyzer / Receiver.
- 7, Analyzer / Receiver scanned from 150 KHz to 30MHz for emissions in each of the test modes

3.4 Test Result

PASS



Test Specification: Line

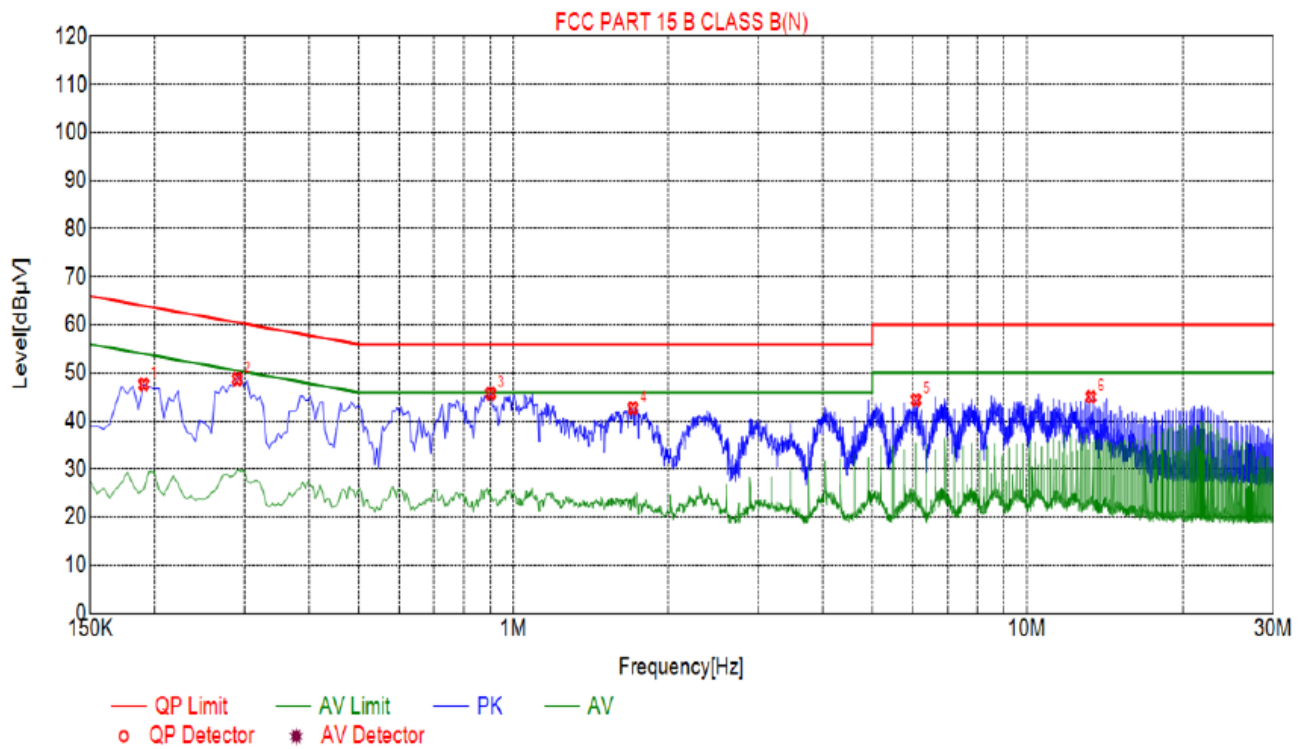


Suspected List						
NO.	Freq. [MHz]	Level [dBµV]	Factor [dB]	Limit [dBµV]	Margin [dB]	Detector
1	0.1950	47.97	10.03	63.82	15.85	PK
2	0.2940	44.81	10.03	60.41	15.60	PK
3	0.4020	46.07	10.04	57.81	11.74	PK
4	0.6855	46.51	10.05	56.00	9.49	PK
5	1.1805	45.30	10.09	56.00	10.70	PK
6	21.5700	45.99	10.14	60.00	14.01	PK

Remark: Margin = Limit – Level
 Correction factor = Cable lose + LISN insertion loss
 Level=Test receiver reading + correction factor



Test Specification: Neutral



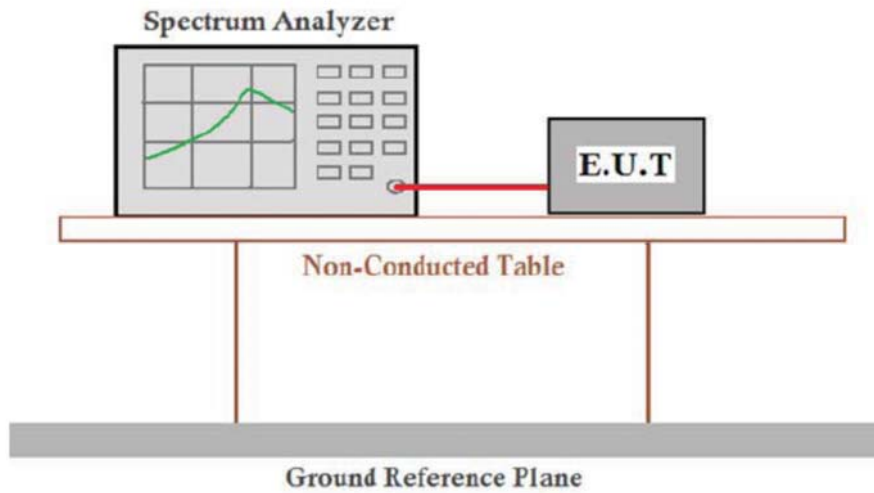
Suspected List						
NO.	Freq. [MHz]	Level [dBµV]	Factor [dB]	Limit [dBµV]	Margin [dB]	Detector
1	0.1905	47.66	10.04	64.02	16.36	PK
2	0.2895	48.76	10.03	60.54	11.78	PK
3	0.9015	45.77	10.06	56.00	10.23	PK
4	1.7070	42.71	10.13	56.00	13.29	PK
5	6.0810	44.43	10.23	60.00	15.57	PK
6	13.3215	45.07	9.96	60.00	14.93	PK

Remark: Margin = Limit – Level
 Correction factor = Cable lose + LISN insertion loss
 Level=Test receiver reading + correction factor



4. Occupied Bandwidth

4.1 Block Diagram of Test Setup



4.2 Rules and specifications

CFR 47 Part 15.215(c)

ANSI C63.10-2013

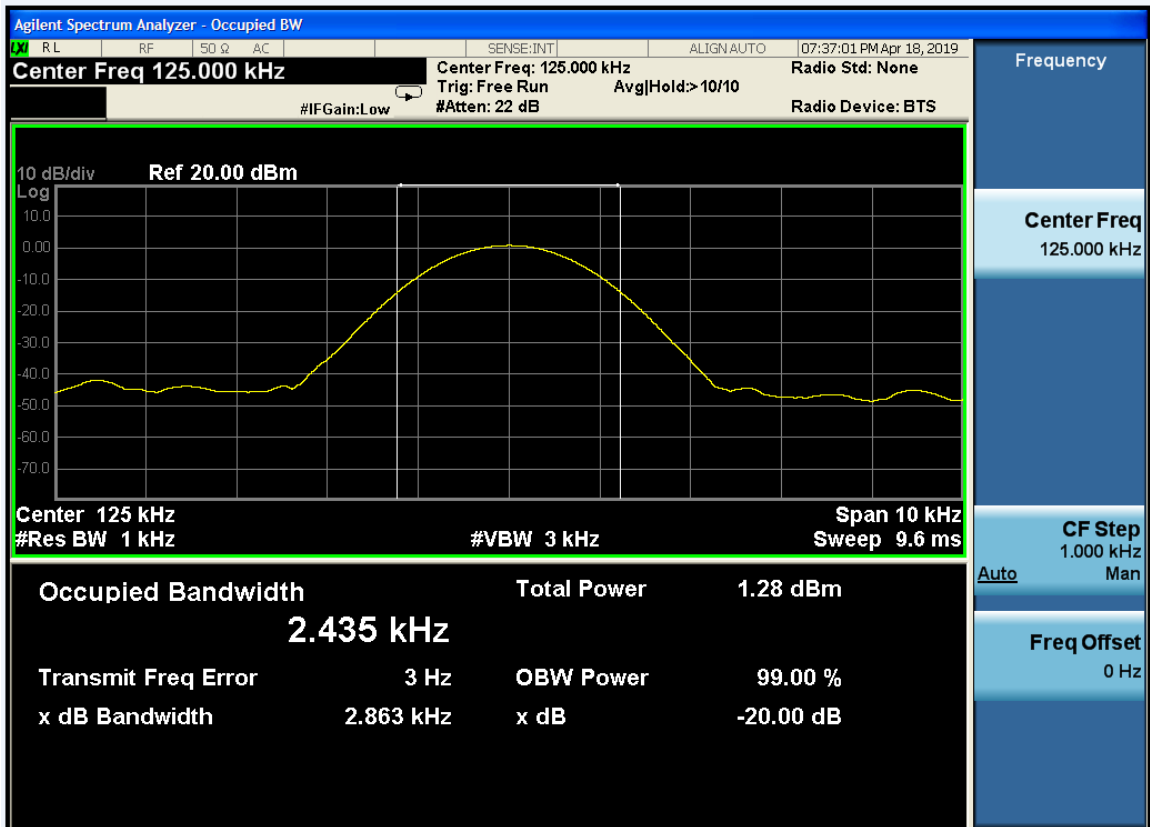
4.3 Test Procedure

Intentional radiators operating under the alternative provisions to the general emission limits, as contained in §§15.217 through 15.257 and in subpart E of this part, must be designed to ensure that 20dB bandwidth of the emission, or whatever bandwidth may otherwise be specified in the specific rule section under which the equip compliance with the 20dB attenuation specification may base on measurement at the intentional radiator's antenna output terminal unless the intentional radiator uses a permanently attached antenna, in which case compliance shall be demonstrated by measuring the radiated emissions.

4.4 Test Result

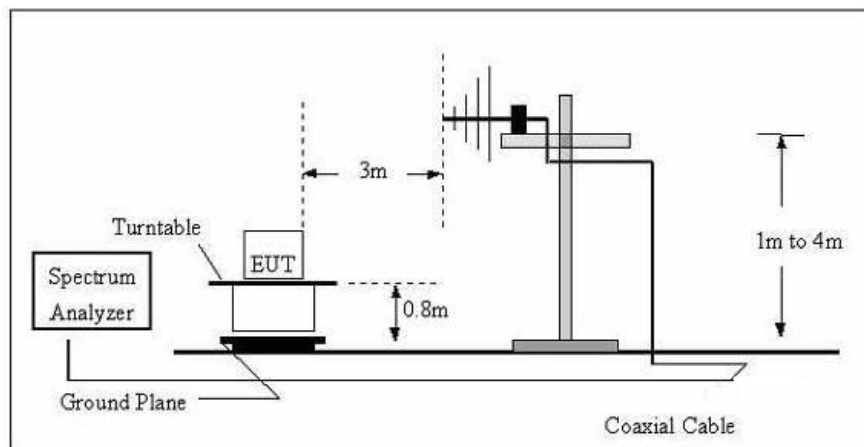
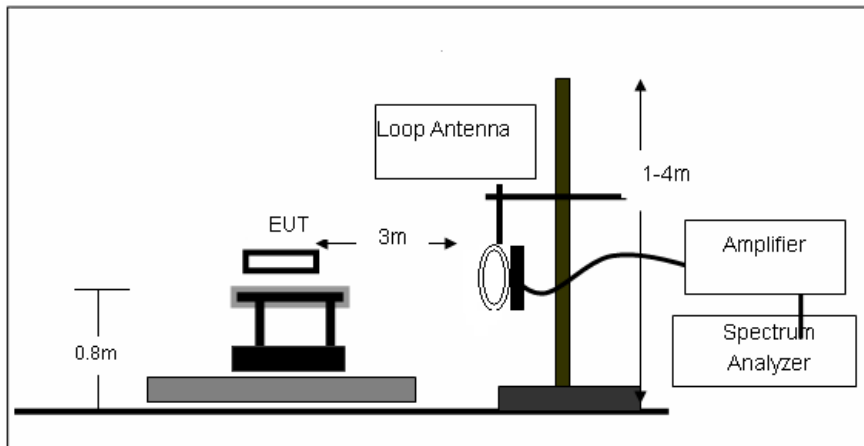
PASS

Mode	Freq (KHz)	20dB Bandwidth (KHz)	Limit (kHz)	Conclusion
Tx Mode	125	2.863	/	PASS



5. RADIA TED EMISSIONS

5.1 Block Diagram of Test Setup





5.2 Rules and specifications

CFR 47 Part 15, section 15.205

Only spurious emissions are permitted in any of the frequency bands listed the tables in these sections.

MHz	MHz	MHz	GHz
0.090-0.110	16.42-16.423	399.9-410	4.5-5.15
1\ 0.495-0.505	16.69475-16.69525	608-614	5.35-5.46
2.1735-2.1905	16.80425-16.80475	960-1240	7.25-7.75
4.125-4.128	25.5-25.67	1300-1427	8.025-8.5
4.17725-4.17775	37.5-38.25	1435-1626.5	9.0-9.2
4.20725-4.20775	73-74.6	1645.5-1646.5	9.3-9.5
6.215-6.218	74.8-75.2	1660-1710	10.6-12.7
6.26775-6.26825	108-121.94	1718.8-1722.2	13.25-13.4
6.31175-6.31225	123-138	2200-2300	14.47-14.5
8.291-8.294	149.9-150.05	2310-2390	15.35-16.2
8.362-8.366	156.52475-156.52525	2483.5-2500	17.7-21.4
8.37625-8.38675	156.7-156.9	2690-2900	22.01-23.12
8.41425-8.41475	162.0125-167.17	3260-3267	23.6-24.0
12.29-12.293	167.72-173.2	3332-3339	31.2-31.8
12.51975-12.52025	240-285	3345.8-3358	36.43-36.5
12.57675-12.57725	322-335.4	3600-4400	(2)
13.36-13.41			

CFR 47 Part 15, section 15.209

The emissions from an intentional radiator shall not exceed the limits in the tables in these sections using an average detector

Frequency (MHz)	Field strength (microvolts/meter)	Measurement distance (meters)
0.009–0.490	2400/F (kHz)	300
0.490–1.705	24000/F (kHz)	30
1.705–30.0	30	30
30–88	100**	3
88–216	150**	3
216–960	200**	3
Above 960	500	3

Limit calculation and transfer to 3m distance as showed in the following table:

Frequency (MHz)	Limit (dBuV/m)	Distance (m)
0.009-0.490	$20\log(2400/F(KHz))+40\log(300/3)$	3
0.490-1.705	$20\log(24000/F(KHz))+40\log(300/3)$	3
1.705-30.0	69.5	3
30-88	40.0	3
88-216	43.5	3
216-960	46.0	3
Above 960	54.0	3

CFR 47 Part 15, section 15.35

When average radiated emission measurements are specified, the limit on the peak level of the radio Frequency emission is 20dB above the maximum permitted average emission limit.

Transmitter Spurious Emissions 9KHz-30MHz			
	9-150KHz	150-490KHz	490KHz-30MHz
Resolution Bandwidth	200Hz	9KHz	9KHz
Video Bandwidth	2KHz	100KHz	100KHz
Detector	Peak	Peak	Peak
Trace Mode	Max Hold	Max Hold	Max Hold
Sweep Time	Auto	Auto	Auto



5.3 Test Procedure

Measurement distance 3m

For the measurement range up to 30MHz in the following plots the field strength result from 3m Distance measurement are extrapolated to 300m and 30m distance respectively, by 40dB/decade, According to part 15.31(f)(2), per antenna factor scaling.

Measurements below 1000MHz are performed with a peak detector and compared to average limits, Measurements with an average detector are not required.

Note:

For battery operated equipment, the equipment tests shall be performed using a new battery.

5.4 Test Result

PASS

For 9KHz-30MHz

Freq. (MHz)	Detector Mode (PK/QP)	Reading (dBuV)	Factor (dB)	Actual FS (dBuV/m)	Limits 3m (dBuV/m)	Margin (dBuV/m)
0.110	Peak	26.17	24.80	50.97	126.77	75.8
0.125	Peak	46.81	24.80	71.61	125.67	54.06
0.486	Peak	25.73	25.03	50.76	113.71	62.95
0.500	Peak	28.42	25.03	53.45	113.62	60.17



For 30MHz-1GHz

Antenna polarity: H

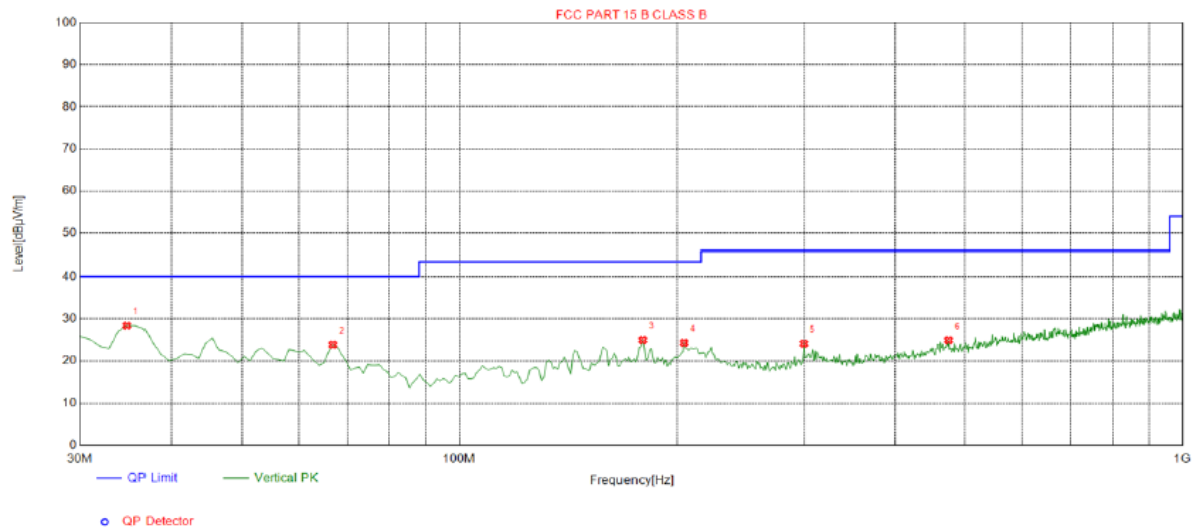


Suspected List								
NO.	Freq. [MHz]	Level [dBµV/m]	Factor [dB]	Limit [dBµV/m]	Margin [dB]	Height [cm]	Angle [°]	Polarity
1	47.4600	20.32	-13.65	40.00	19.68	100	314	Horizontal
2	106.630	17.24	-15.42	43.50	26.26	100	237	Horizontal
3	139.610	19.77	-19.16	43.50	23.73	100	12	Horizontal
4	221.090	30.18	-14.53	46.00	15.82	100	156	Horizontal
5	324.880	24.90	-11.85	46.00	21.10	100	307	Horizontal
6	551.860	26.17	-6.91	46.00	19.83	100	12	Horizontal

Remark: Margin = Limit – Level
 Correction factor = Cable lose + LISN insertion loss
 Level=Test receiver reading + correction factor



Antenna polarity: V



Suspected List								
NO.	Freq. [MHz]	Level [dBµV/m]	Factor [dB]	Limit [dBµV/m]	Margin [dB]	Height [cm]	Angle [°]	Polarity
1	34.8500	28.39	-16.15	40.00	11.61	100	123	Vertical
2	66.8600	23.86	-16.88	40.00	16.14	100	120	Vertical
3	179.380	24.98	-16.88	43.50	18.52	100	236	Vertical
4	204.600	24.32	-14.94	43.50	19.18	100	187	Vertical
5	299.660	24.13	-12.74	46.00	21.87	100	319	Vertical
6	475.230	24.94	-8.39	46.00	21.06	100	3	Vertical

Remark: Margin = Limit – Level
 Correction factor = Cable lose + LISN insertion loss
 Level=Test receiver reading + correction factor

6 ANTENNA REQUIREMENT

Standard Applicable

For intentional device, according to FCC 47 CFR Section 15.203, an intentional radiator shall be designed to ensure that no antenna other than that furnished by the responsible party shall be used with the device.

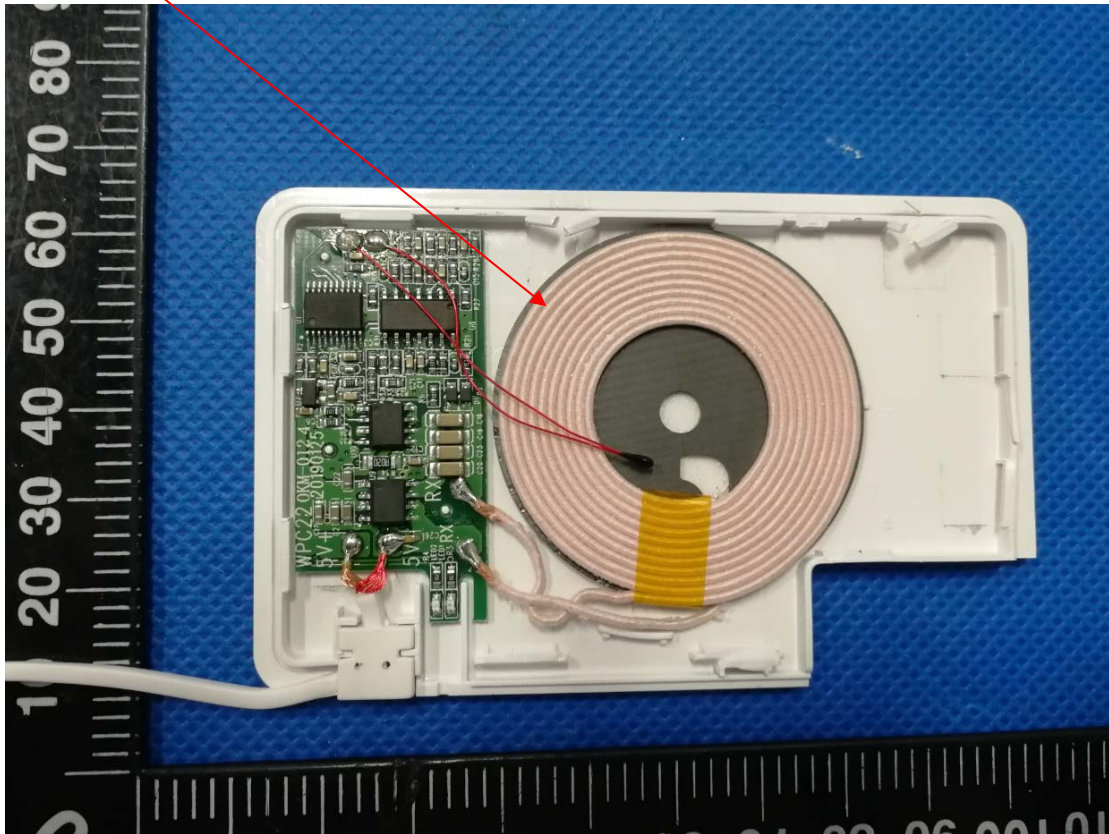
Refer to statement below for compliance.

The manufacturer may design the unit so that the user can replace a broken antenna, but the use of a standard antenna jack or electrical connector is prohibited. Further, this requirement does not apply to intentional radiators that must be professionally installed.

Antenna Connected Construction

The antenna used in this product is a Coil Antenna, The directional gains of antenna used for transmitting is 1dBi.

ANTENNA



7. PHOTOGRAPH OF TEST

7.1 Radiated Emission





7.2 Conducted Emission



8. PHOTOGRAPH OF TEST

Reference to the reporter : ANNEX A of external photos and ANNEX B of internal photos

-----End of test report-----