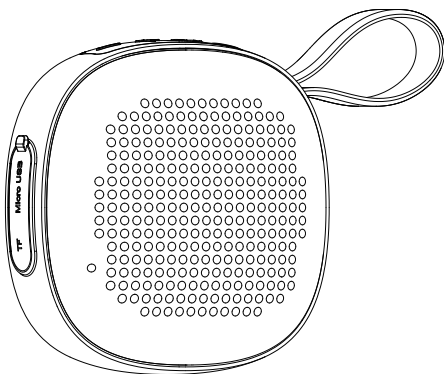


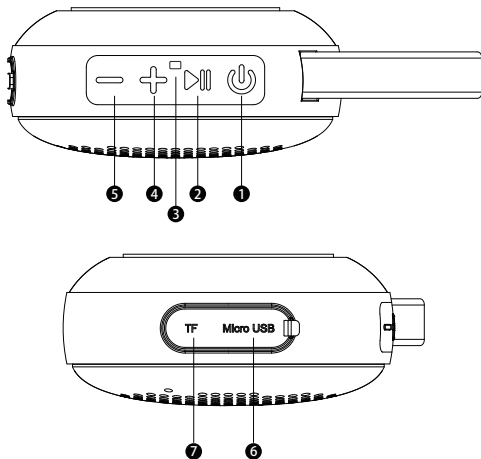
# Portable Magnetic Wireless Speaker



EN User's Manual

This manual will give you directions of how to use of this Bluetooth speaker. Make sure you understand the functions before using.

**Product Overview:**



### **Buttons introduction:**

- ❶ Power button: ON/OFF
- ❷ Play/Pause/ Bluetooth/Hand-free
- ❸ Indicator light
- ❹ Vol+/ Next track
- ❺ Vol-/ Previous track
- ❻ Micro USB charging port
- ❼ TF card slot

### **How to use this speaker:**

#### **Connecting the Bluetooth device:**

1. Enter Bluetooth status automatically after a long press of the “Power” button, the blue indicator light will blink quickly.
2. Turn on the Bluetooth function of your mobile phone or other Bluetooth devices, search for “**ADIDAS CODECHAOS**” on your device’s Bluetooth list and then pair it. The indicator light blinks slowly after pairing successfully.
3. You can short press the Play/Pause button to play or pause the music. Long press “+” for next track or “-” for previous track. Short press “+” or “-” for volume up or volume down.

4. Long press the “Play/Pause” button to disconnect the speaker from the current device and reset it into pairing mode.

#### Hands free function:

This speaker has a built-in microphone. Therefore, you may use it to answer telephone call as a hands-free device.

1. When the speaker is playing music via Bluetooth, the music will pause and you will hear the ringtone in case of any incoming call, you can short press the “Play/Pause” button to answer the call via built-in MIC.  
Short press the “Play/Pause” button again if you want to hang up the call after conversation.
2. You may long press the “Play/Pause” button to decline an incoming call if you don’t want to answer the call.

#### **MP3/ TF card mode**

1. Turn on the speaker, insert a TF card with music files (MP3) into the TF card slot of the speaker.
2. The speaker will change to “MP3” mode automatically and the blue indicator light turns on.
3. You may control it by using Play/Pause, Volume +/- buttons.
4. You may short press “Power” button to back to Bluetooth mode at any time.

### **True Wireless Stereo (TWS) Technology:**

If you have two of these Bluetooth Speakers, you can use them together as stereo speakers. Be sure neither speaker is paired to a device before you connect them together. Press and hold the "Play/Pause" button to disconnect the speaker from the current device and reset it into pairing mode. Please make sure the 2 speakers are not placed more than 5 meters / 16 feet from each other when pairing.

1. Press the "Power" button to turn on speaker number 1.
2. Press and hold the "Play/Pause" button to enter the Stereo Pairing mode.
3. The blue indicator light will blink quickly.
4. To pair the speakers together you will need to press the "Power" button to turn on speaker number 2.
5. Speaker 2 will automatically search for the other speaker and connect with it.
6. When the speakers are connected the blue indicator light on the speaker number 1 will blink quickly and the 2nd speaker will blink steadily.
7. To connect your device to these two speakers, you will need to turn on the Bluetooth function of your device.
8. Search for "ADIDAS CODECHAOS" on the device list and then pair with it.
9. If you need to input a pairing code, use 1234 or 0000. The indicator light of the number 1 speaker will blink slowly after the pairing is successful.

10. To turn off the True Wireless Stereo mode, press and hold the “Play/Pause” button of any of the speaker.

### **Charging:**

Connect the USB cable to an USB power adapter, then plug the micro USB into the micro USB port of the speaker. While charging, the indicator light illuminates red. When it is full charged, the indicator light turns off.

### **Magnetic Back:**

This speaker features a built-in magnet on the back. It will attach to metal surfaces.  
DO NOT put this speaker near electronic products like hard disks or credit cards. It may damage these kinds of products.

### **ECO Feature:**

If there is no connection within 10 minutes after power on, the speaker will automatically power off.

### **Troubleshooting:**

Q: The speaker is in the Bluetooth list of your playback device, but it could not be connected successfully.

A: Please long press "Play/Pause" button to reset the Bluetooth connection and try to connect it again.

Q: The wireless connection is not stable. Music interrupts from time to time.

A: Sometimes other wireless signals may disturb the connection stability.

1. Please make sure the connection distance is not more than 20 meters and there is no solid walls between the speaker and the device.
2. Make sure there is no other wireless devices such as a Wireless Router near the speaker.
3. Make sure the speaker has enough power.

## **FCC STATEMENT :**

This device complies with Part 15 of the FCC Rules. Operation is subject to the following two conditions:

- (1) This device may not cause harmful interference, and
- (2) This device must accept any interference received, including interference that may cause undesired operation.

**Warning:** Changes or modifications not expressly approved by the party responsible for compliance could void the user's authority to operate the equipment.

NOTE: This equipment has been tested and found to comply with the limits for a Class B digital device, pursuant to Part 15 of the FCC Rules. These limits are designed to provide reasonable protection against harmful interference in a residential installation. This equipment generates uses and can radiate radio frequency energy and, if not installed and used in accordance with the instructions, may cause harmful interference to radio communications. However, there is no guarantee that interference will not occur in a particular installation. If this equipment does cause harmful interference to radio or television reception, which can be determined by turning the equipment off and on, the user is encouraged to try to correct the interference by one or more of the following measures:

- Reorient or relocate the receiving antenna.

- Increase the separation between the equipment and receiver.

- Connect the equipment into an outlet on a circuit different from that to which the receiver is connected.

- Consult the dealer or an experienced radio/TV technician for help.

## **FCC Radiation Exposure Statement:**

This equipment complies with FCC radiation exposure limits set forth for an uncontrolled environment. This equipment should be installed and operated with minimum distance 20cm between the radiator & your body.