

Letter of acceptance

Customer name: _____

Customer Material Number: _____

Our model: _____ YZ-G25-6.4UH-2750GS-7MM _____

Working frequency: _____ 300kHz-350kHz _____

Datelanded: _____ 2023/7/18 _____

Supplier: _____

Draw	Audit	approval

CUSTOMER APPROVAL:

PASS	FALL	acknowledge
Notes		

Dongguan Jierith Technology Co., LTD

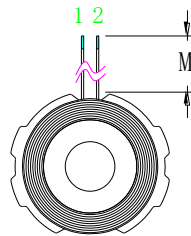
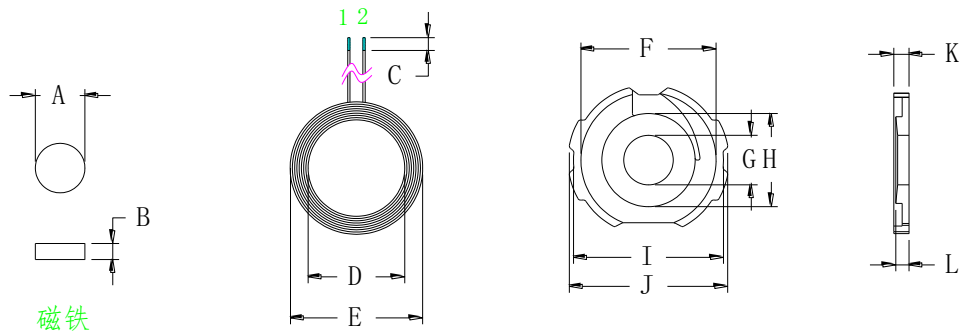
Tel: _____

Fax: _____

Add: _____

customer name	Customer Material Number	model number	edition	Birthdate
		YZ-G25-6.4UH-2750GS-7MM	A0	2023.7.18

一、Plane structure: Unit :MM



A	7.6 ± 0.05
B	1.8 ± 0.05
C	2 ± 1
D	15 ± 0.2
E	20.7 ± 0.3
F	21 ± 0.2
G	7.7 ± 0.05
H	13.5 ± 0.2
I	23.5 ± 0.3
J	25 ± 0.2
K	2.5 ± 0.1
L	2.4 ± 0.1 中柱高度
M	7 ± 1

二、Product Parameter:

Foot position	Radial sawing	Cycles	Reserve note
1 - 2	0.08*24P	12	Hot air stranding wire

三、Technical requirements:

1. Fix the end of the wire to prevent loose and broken wires
2. According to customer requirements, the long thread is cut and tinned, and the tinning is 2 ± 1 MM
3. Point the appropriate white glue on the soft magnetic sheet, paste the coil, and ensure the product surface is clean and tidy in the process
4. The soft magnetic sheet used is with round holes, without damage

5. Additional process (according to customer requirements) : Install 7.6x1.8mm magnet in middle round hole of the finished product and attach 16mm round double-sided tape on back of the finished product, after packaging

四、Electrical parameter:

1. Inductance value, Q value:

$$\text{PIN 1 — 2} = 6.4\mu\text{H} \pm 0.2\mu\text{H}$$

$$\text{Q value (before magnet installation)} \geq 35 \text{ (after magnet installation)} \geq 25$$

The above inductance values are based on Quanhua 1062A instrument, 10KHZ/0.3Vrms as the standard or equivalent instrument.

Q value is based on Quanhua 1062A instrument, 100KHZ/0.3Vrms as standard or equivalent instrument

五、BOM:

Serial number	Name	Material	Supplier	Notes
1	Hot air stranding wire	0.08X24P	Weihan or equivalent	
2	Magnetic plate	G25 pressure casting	Tiantong or equivalent	
3	Tin	High temperature environmental protection	Thousand Islands or equivalent	
4	White glue	BY882	Moon or equivalent	
5	Strong magnetic	7.6*2*2750±50GS	United win or equivalent	Additional processes, according to customer requirements
6	Double-sided adhesive	Diameter ø16mm	Honghui or d	white