

Project Name : <u>Maxwell PS, Maxwell Xbox</u>	Part Name : <u>Stator Housing L</u>	Purpose : <u>PVT</u>	Checked : <u>Alice Li</u>
Version : <u>2</u>	Date : <u>2022.11.24</u>	ID Designer : <u>Travis Huang</u>	Approved : <u>Alice Li</u>
Drawing Number : <u>ID-AR-20221111-11-V02</u>			

Revision History

Revision	Date	Description	Amended by
1	2022.11.11	Release	Travis Huang
2	2022.11.24	Change "MAXWELL" to "Maxwell"	Travis Huang

Project Name : Maxwell PS, Maxwell Xbox

Part Name : Stator Housing L

Purpose : PVT

Checked : Alice Li

Version : 2

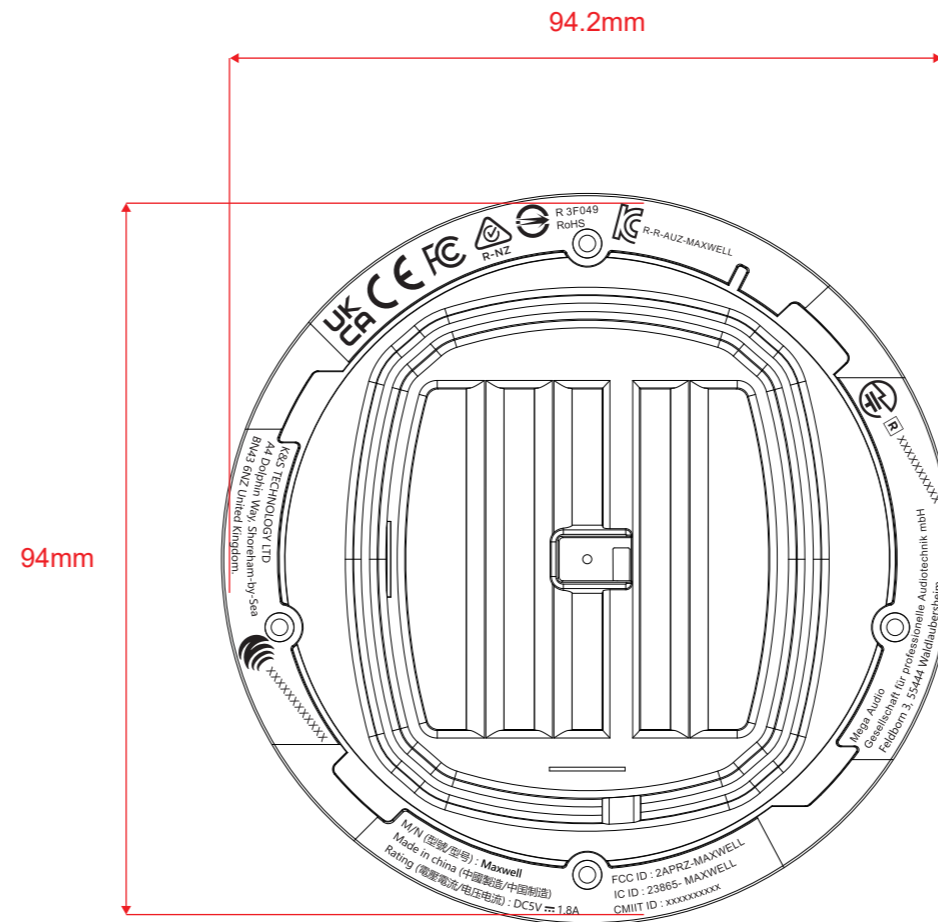
Date : 2022.11.24

ID Designer : Travis Huang

Approved : Alice Li

Drawing Number : ID-AR-20221111-11-V02

Laser Marking
Scale: 1:1



- UK CA 5mm
- CE 5mm
- FC 4.2mm
- 4.5mm
- 5mm
- 4mm
- 5mm
- 4.4mm

*Maxwell PS, Maxwell Xbox共用

※此為左喇叭盤