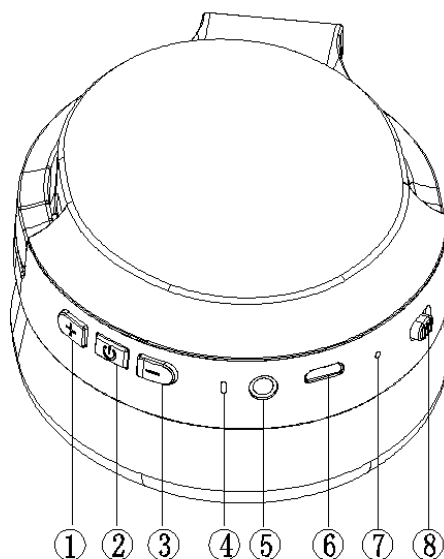


JH-ANC918 User Manual



A. Product Labeling

1. "+" key: volume up, next song
2. "⏻" Power on/off
3. "-" key: Volume down, the previous song
4. Bluetooth connection status indicator, charging status indicator, ANC status indicator
5. 3.5mm AUX audio jack
6. Charging port
7. Microphone
8. ANC switch

B. Function introduction

1. ANC on/off

- ANC on: In ANC off-status, turn the ANC switch on then the ANC indicator will be on.
- ANC off: In ANC on-status, turn the ANC switch off then the ANC indicator will be off.

2. Power on/off

- Turn on: In power-off status, long press the power on button, the blue and red light will flash alternately;
- Turn off: In power-on status, long press the power off button, the indicator light will be off

3. Match cell phones or other bluetooth device

- In power-off mode, press and hold the power on button for 3 seconds until the red and blue light flash alternately. The headphone will enter pairing mode.
- Turn on the bluetooth switch of your phone or other bluetooth device.
- Search bluetooth pairing name "JH-ANC918" and click "connect".
- The bluetooth connection status indicator is flashing blue slowly with a success pairing tone.
- The headphone memorizes the current device and it will pair automatically for the second time.

4. Music player

- Press the power on/off button to play/pause music.
- Press the "+" key to increase the volume.
- Press and hold the "+" key to switch to the next song.

- Press the "-" key to decrease the volume.
- Press and hold "-" button to switch to the previous song.

5.Call

- Answer call: short press the power on button to answer the call by headphone when call is coming
- End call:short press the power on button to end the current call.
- Reject call:long press the power on button to reject when call is coming
- Redial last number: double tap the power on button to call back the last call number on the phone.

6. Charge

- When the headphone indicates a low battery, turn off the headphone and charge it.
- Connect the USB charging port, adapter 5V power supply.
- Connect the headphone charging jack.
- When charging: Charging indicator is red.
- Charging completed: Charging light is off

7.Wired function

- No ANC

In power-off mode, put AUX cable into the headphone audio jack at one end, and put the other end into the phone or other product's audio output port.

- ANC

Turn on the ANC switch, put AUX cable into the headphone audio jack at one end, and put the other end into the phone or other product's audio output port.

* In the wired state, the music playing is controlled by the data output part.

C.Headphone parameters

Bluetooth chipset: ATS3015

Bluetooth Version: V5.0

Battery capacity:600mAh

Charging time:2H

Working time:20H(ANC+Bluetooth)

60H(ANC only)

28H(Bluetooth only)

Working distance:10m

Frequency response: 20Hz~20KHz

Charging Interface: Micro USB

Charging voltage: 5V DC

DC 3.7 V rechargeable lithium battery

Weight of battery: ≤6.8g

Storage temperature: 0°C~45°C

D.ANC function description

The ANC circuit actually senses external noise through the built-in microphone and sends unit itself equal and opposite cancellation signals.

- The ANC effect may not be noticeable in a very quiet environment, or you may hear little noise.
- The ANC effect may vary depending on how you put the unit, or buzzing (squeaking) may occur. In this case, remove the unit and then wear it again.
- The ANC function is mainly effective for the low-frequency noise. The noise can be reduced, but it can not be

completely eliminated.

- The mobile phone may cause interference and noise to the unit. If this happens, place the unit away from the mobile phone.
- Do not cover the microphone of this unit with your hand, the ANC function may not function properly, or buzzing may occur (squeak).

E.About bluetooth communication

- Bluetooth wireless technology works within a range of approximately 10m and may vary depending on the obstacles (body, metal, wall, etc.) or the electromagnetic environment.
- Bluetooth communication may be interrupted, noise or audio loss may occur under the following conditions:
 - There is someone between the unit and the bluetooth device.
 - There are obstacles such as metal or wall between the unit and the bluetooth device.
 - Devices using a 2.4GHz frequency, such as WI-FI devices, cordless phones, or microwaves, which are in use near this unit.
- Because bluetooth devices and WI-FI use the same frequency (2.4GHz), microwave interference may occur if this unit is used near a WI-FI device, causing noise or audio loss or communication interruption. In this case, do as followings:
 - Use the unit at least 10m away from the WI-FI device.
 - If you use this unit within 10m from the WI-FI device, turn off the WI-FI device.
 - Place the unit and bluetooth device as close as possible to each other.
- The microwave emitted from the bluetooth device may affect the operation of the electronic medical device. In the following places, please turn off this unit and other bluetooth devices, or it may cause an accident.
 - Store flammable gases in a hospital or gas station.
 - Near automatic doors or fire alarm bell
 - Always use the supplied earphone cable when using this unit on an airplane.
- Due to the nature of wireless technology, the sound played on this unit delays after sounds and music played on the sending device. As a result, images and sounds may not be synchronized when watching movies or playing games.
- We assume no responsibility for any disclosure of information that may occur during the bluetooth communication.
- The connection to all bluetooth devices can not be guaranteed.

F.About charging

- Do not turn on the headphone and don't use bluetooth while charging.
- If the headphone is not used for a long time, the rechargeable battery may not be able to retain enough power. After repeated charge and discharge several times, the battery will be able to maintain the appropriate power
- If you store the unit for an extended period of time, charge the battery every six months to prevent over-discharge.

FCC Statement:

This device complies with Part 15 of the FCC rules. Operation is subject to the following two conditions: 1) this device may not cause harmful interference, and 2) this device must accept any interference received, including interference that may cause undesired operation.

This equipment has been tested and found to comply with the limits for a Class B digital device, pursuant to Part 15 of the FCC rules. These limits are designed to provide reasonable protection against harmful interference in a residential installation. This equipment generates, uses and can radiate radio frequency energy and if not installed and used in accordance with the instructions, may cause harmful interference to radio communications. However, there is no guarantee that interference will not occur in a particular installation. If this equipment does cause harmful interference to radio or television reception, which can be determined by turning the equipment off and on, the user is encouraged to try correct the interference by one or more of the following measures:

- Reorient the receiving antenna.
- Increase the separation between the equipment and receiver.
- Connect the equipment into and outlet on a circuit different from that to which the receiver is connected.
- Consult the dealer or an experienced radio/TV technician for help.

Changes or modifications not expressly approved by the party responsible for compliance could void your authority to operate the equipment.