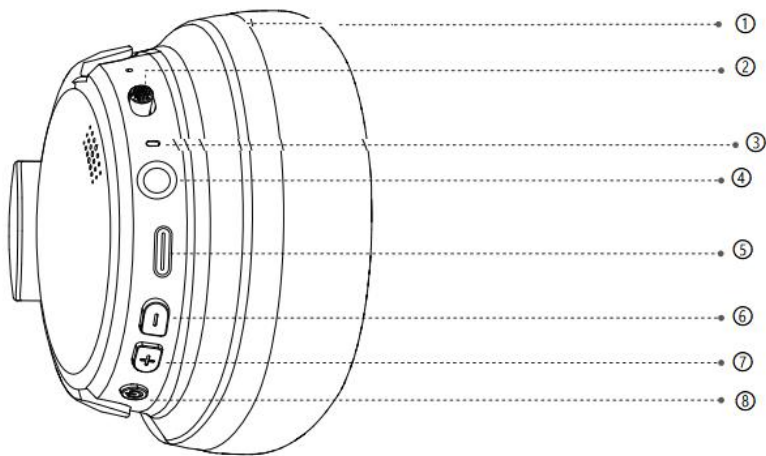


Headphone User Manual



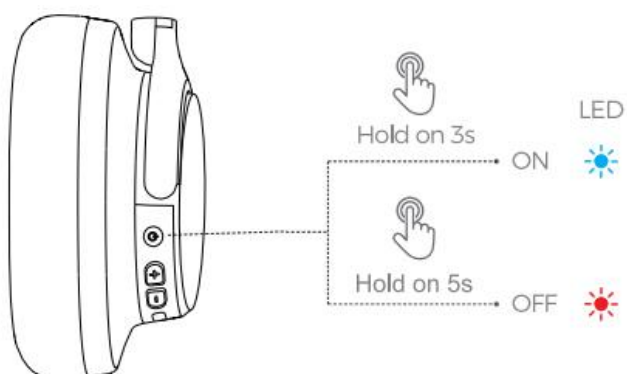
EN ES RU PT FR DE JP IT

1. Diagram



- ① Microphone
- ② ANC button
- ③ Bluetooth indicator
- ④ 3.5mm AUX jack
- ⑤ Type-C charging port
- ⑥ Volume down/ previous song
- ⑦ Volume up/ next song
- ⑧ Multifunction Button

2. Power on/off



Power on:

Press and hold the MFB around 2 seconds with blue light flashing 1 second until you hear voice "Power on"

Power off:

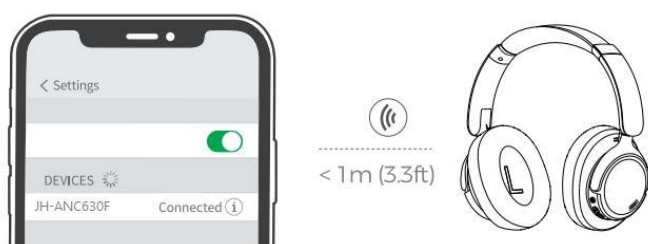
Press and hold the MFB around 5 seconds with red light flashing until you hear voice "Power off"

3. How to pair

Step 1:



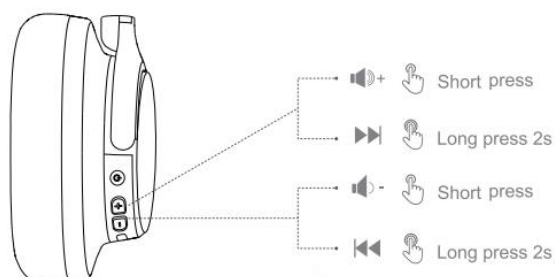
Step 2:



2.1 After power on, the blue and red light will flash alternately, then it enters pairing mode;

2.2 Turn on the Bluetooth function of mobile or other device, search "JH-ANC630F" and connect, the voice "connected" will be heard after the successful connection.

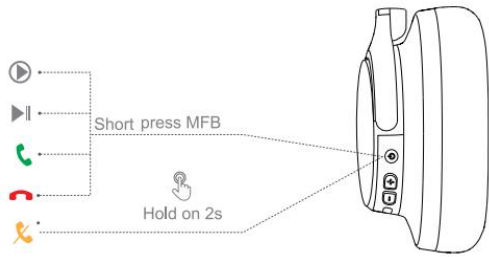
4. Volume control/music control



Short press the +/- button: Volume adjustment

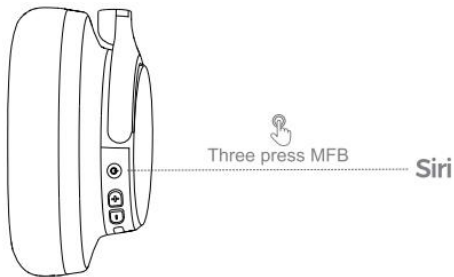
Long press the +/- button: Next/previous song switch

5. Music play/pause, Answer/End/Reject call



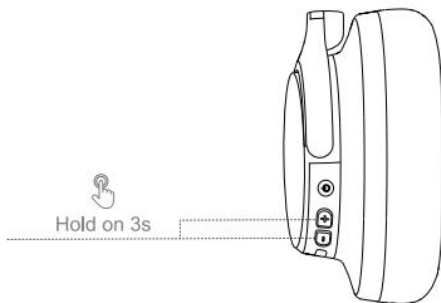
6. Siri function

Triple-click the MFB to activate Siri



7. Clear pairing

In power-on mode, press and hold the “+” and “-” button same time around 3 seconds



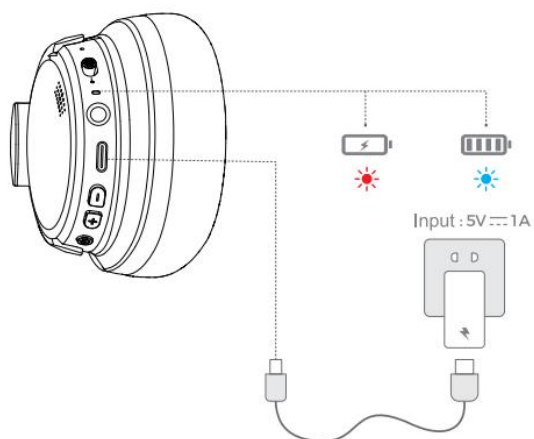
8. Bluetooth indicator instruction

| | |
|----------------------|--|
| Connect successfully | The blue indicator blinks every 6 seconds |
| Pairing status | The red and blue indicator blink alternately |
| Reset | The red and blue indicator blink alternately |
| Listen to music | The blue indicator blinks every 6 seconds |
| Charge fully | The indicator will be solid blue |
| Power off | The red indicator will goes off |
| Charging | The indicator will be solid red |

9. Charging

In Charging, the red light will be solid on;

Once charging finished, the blue light will be solid on.



10. Technical parameters

| | |
|---------------------|--------------|
| Model name | JH-ANC630F |
| Bluetooth version | V5.3 |
| Working distance | ≥10m |
| Frequency response | 2402-2480MHz |
| Input Voltage | DC 5V,0.5A |
| Charging time | Around 2H |
| Charging port | Type-C |
| Speaker driver unit | Φ 40mm,32Ω |

FCC Statement

This device complies with Part 15 of the FCC Rules. Operation is subject to the following two conditions:

(1) This device may not cause harmful interference.

(2) This device must accept any interference received, including interference that may cause undesired operation.

2. Changes or modifications not expressly approved by the party responsible for compliance could void the user's authority to operate the equipment.

Note: This equipment has been tested and found to comply with the limits for a class B digital device, pursuant to Part 15 of the FCC Rules. These limits are designed to provide reasonable protection against harmful interference in a residential installation.

This equipment generates uses and can radiate radio frequency energy and, if not installed and used in accordance with the instructions, may cause harmful interference to radio communications. However, there is no guarantee that interference will not occur in a particular installation. If this equipment does cause harmful interference to radio or television reception, which can be determined by turning the equipment off and on, the user is encouraged to try to correct the interference by one or more of the following measures:

- Reorient or relocate the receiving antenna.
- Increase the separation between the equipment and receiver.
- Connect the equipment into an outlet on a circuit different from that to which the receiver is connected.
- Consult the dealer or an experienced radio/TV technician for help.

The device has been evaluated to meet general RF exposure requirement.

The device can be used in portable exposure condition without restriction.