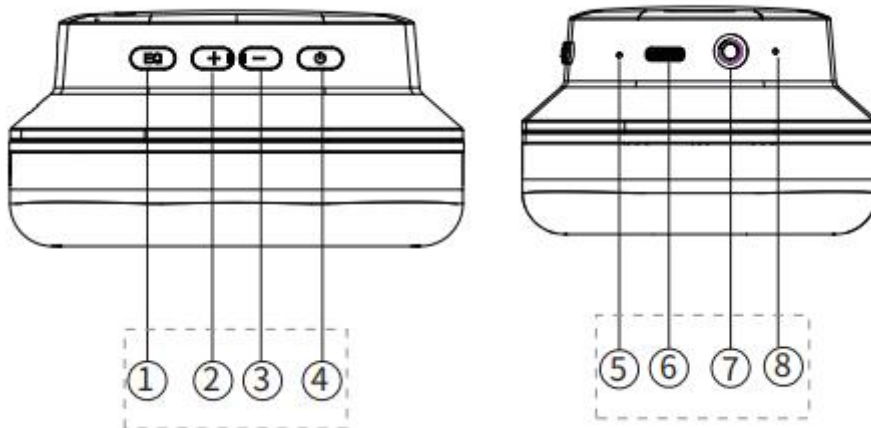


Headphone
User Manual



1.Product function instructions

- ① "EQ": voice assistant
- ② "+": Volume up/next song
- ③ "-": Volume down/Previous song
- ④ Power on/off
- ⑤ Bluetooth instruction
- ⑥ Type C charging port
- ⑦ 3.5mm jack cable
- ⑧ Microphone

2.Product operation instructions

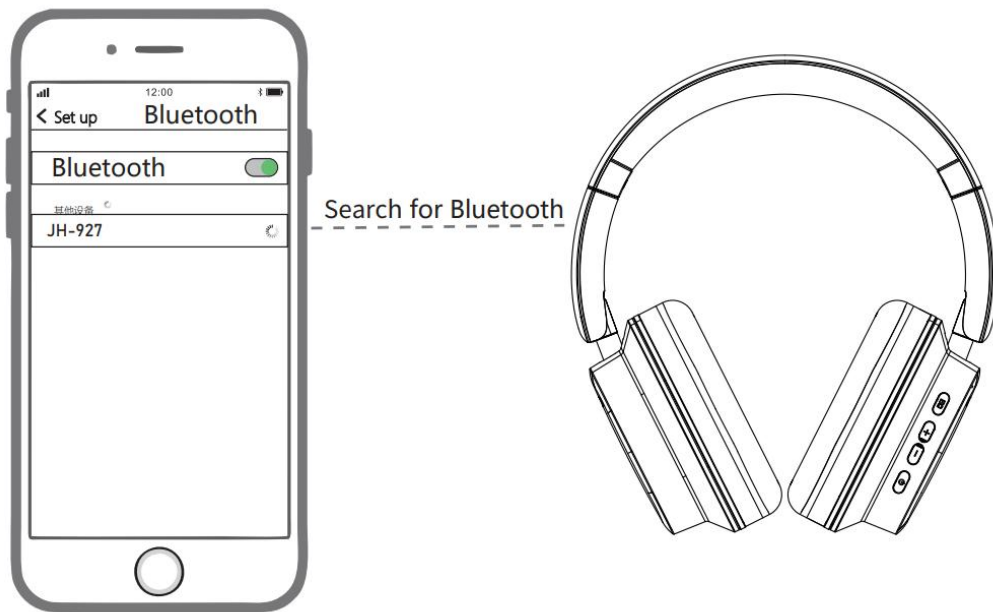
2.1 Power on/off

- Turn on: In power-off status, press and hold the power on button 2s, the blue light will be on around 2 seconds, then blue and red light will blink alternately, the headphone enter into pairing mode.
- Turn off: In power-on status, press and hold the power off button 3s, the indicator light will go off then.

2.2 Pairing

Turn on the Bluetooth switch of the mobile phone or other devices (such as PC, Tablet etc), and enter into the Bluetooth list, search for the pairing name "JH-927";

When seeing the pairing name "JH-927" on the list, click it to connect the headset with your device; Once paired successfully, the blue indicator blinks every 6 seconds.



2.3 Music playing

Volume up: Click the “+” button to increase volume

Volume down: Click the “-” button to decrease volume

Next song: Press and hold the “+” button around 2 seconds

Previous song: Press and hold the “-” button around 2 seconds

Music play/pause: Click the MFB button

2.4 Calling (Mobile)

Answer call: Click the MFB button when call is coming

End call: Click the MFB button when call is over

Cancel call: Click the MFB button when calling

Reject call: Press and hold the MFB button around 2 seconds when call is coming

Redial: Double click the MFB button to redial last call number

2.5 Reset:

Press and hold the “+” and “-” button at the same time around 3 seconds until the red and blue indicator blink alternately.

2.6 Siri or google assistant:

In standby mode or music mode, long press EQ button 2 seconds to activate Siri or Google assistant.

3. Bluetooth indicator instruction

Connect successfully	The blue indicator blinks every 6 seconds
Pairing status	The red and blue indicator blink alternately

Reset	The red and blue indicator blink alternately
Listen to music	The blue indicator blinks every 6 seconds
Charge fully	The indicator will be solid blue
Power off	The red indicator will goes off
Charging	The indicator will be solid red

4.AUX mode

Connect one end of the 3.5mm audio cable into the audio jack of the headset;

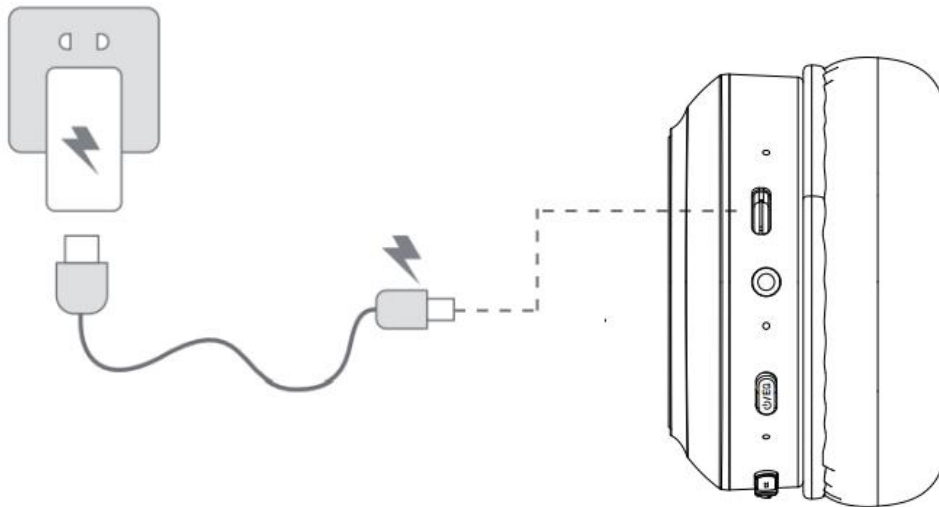
Connect the other end into your mobile or other devices,then can play music directly.

Note: The headphone will be power off once plug the 3.5mm audio cable into audio jack(When headphone is power on). if you need to turn on the headphone, the 3.5mm audio cable must be taken out from the headphone.

5.Charging instruction

Before using, please check and assure the battery is enough.

While the headphone is in low battery, please use Type-C charging cable to charge and the charging indicator will be red when charging. Once it's fully charged,the indicator will be solid blue.



6.Technical parameters

Model name	JH-927
Bluetooth version	V5.3
Working distance	≥10m
Frequency response	2402-2480MHz
Input Voltage	5V,1A
Charging time	Around 2H

Charging port	Type-C
Speaker driver unit	Φ 40mm,32Ω

7.FAQ

7.1 Headphone can't be turned on

Please ensure the battery is enough.

7.2 Pairing failure

Please ensure the headphone is in power on and pairing status, and the mobile or other device locates within 1 m range;

And then redo again.

7.3 Connect automatically

The headphone will automatically connect the mobile or other devices which used last time

7.4 Sound cut off/stuck

Check whether the mobile or other devices locates valid range (10m) and whether there are obstacles between the headphone and mobile .

7.5 Charging way

Please ensure the charging adaptor is DC 5V/1A,or Car charger or power bank to charge the headphone.

FCC Statement

1. This device complies with Part 15 of the FCC Rules. Operation is subject to the following two conditions:

(1) This device may not cause harmful interference.

(2) This device must accept any interference received, including interference that may cause undesired operation.

2. Changes or modifications not expressly approved by the party responsible for compliance could void the user's authority to operate the equipment.

Note: This equipment has been tested and found to comply with the limits for a class B digital device, pursuant to Part 15 of the FCC Rules. These limits are designed to provide reasonable protection against harmful interference in a residential installation.

This equipment generates uses and can radiate radio frequency energy and, if not installed and used in accordance with the instructions, may cause harmful interference to radio communications. However, there is no guarantee that interference will not occur in a particular installation. If this equipment does cause harmful interference to radio or television reception, which can be determined by turning the equipment off and on, the user is encouraged to try to correct the interference by one or more of the following measures:

- Reorient or relocate the receiving antenna.
- Increase the separation between the equipment and receiver.
- Connect the equipment into an outlet on a circuit different from that to which the receiver is connected.
- Consult the dealer or an experienced radio/TV technician for help.

The device has been evaluated to meet general RF exposure requirement.
The device can be used in portable exposure condition without restriction.