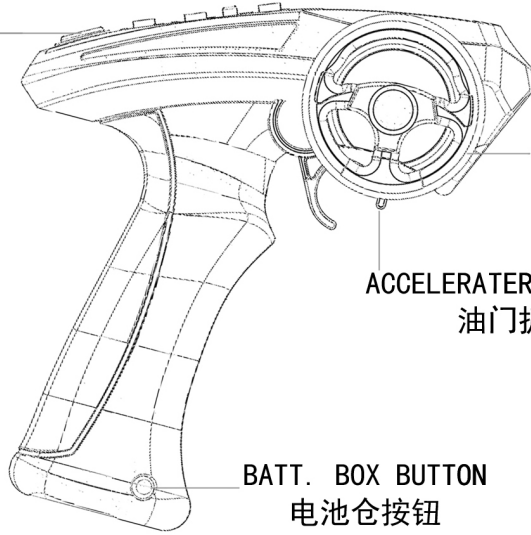


Tx & Rx

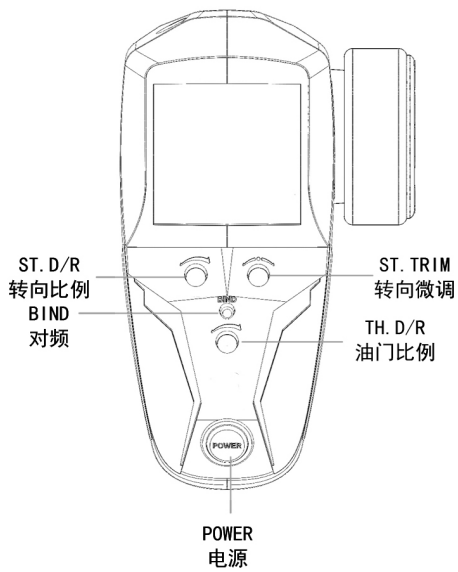
TRIM PLATFORM
微调界面



STEERING WHEEL
转向手轮

ACCELERATOR THROTTLE
油门扳机

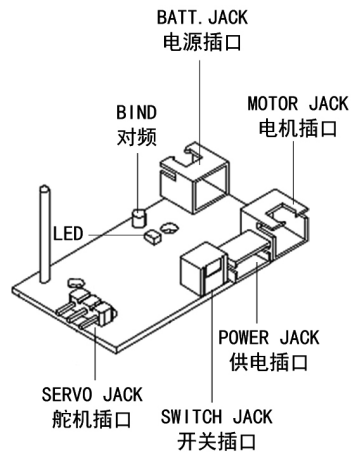
BATT. BOX BUTTON
电池仓按钮



ST. D/R
转向比例
BIND
对频

ST. TRIM
转向微调
TH. D/R
油门比例

POWER
电源



BATT. JACK
电源插口

BIND
对频

MOTOR JACK
电机插口

LED

POWER JACK
供电插口

SERVO JACK
舵机插口

SWITCH JACK
开关插口

Install the Battery

- 1.Remove the battery compartment by pressing the batt.box button.*
- 2.Insert 4 fully-charged AAA batteries and make sure all the batteries contact well,with the correct polarity.*
- 3.Put on the battery compartment.*

Power on

- 1.Connect everything.*
 - Make sure the batteries are fully charged.*
 - Make sure the receiver is off.*
- 2.Move the power switch on its position.*
- 3.Connect the power supply to receiver.LED on receiver should be soild to indicate that it is connected.*

Bindding

- 1.Ensure all the instrument are connected with power.*
- 2.Turn on both transmitter and receiver.Press the Bind button on each instrument to inovate the Bind mode.LED should flash quickly when binding and stop when done.*

Power off

- 1.Turn the switch off on each instrument.*
- 2.Disconnect the power resource off from each instrument.*
 - Ensure the power disconnected when usage unavailable.*

Specification

RF Range	2.4055-2.475GHz
Bandwidth	500 KHz
RF Channel	140
2.4GHz System	AFHDS 2A
Modulation Type	GFSK
Stick Resolution	1024
Low Voltage Alarm	3.6V
Antenna Length	20mm
Size	230mm*160mm*85mm
Weight	155g

FCC Statement

This equipment has been tested and found to comply with the limits for a Class B digital device, pursuant to part 15 of the FCC rules. These limits are designed to provide reasonable protection against harmful interference in a residential installation. This equipment generates, uses and can radiate radio frequency energy and, if not installed and used in accordance with the instructions, may cause harmful interference to radio communications. However, there is no guarantee that interference will not occur in a particular installation. If this equipment does cause harmful interference to radio or television reception, which can be determined by turning the equipment off and on, the user is encouraged to try to correct the interference by one or more of the following measures:

- Reorient or relocate the receiving antenna.
- Increase the separation between the equipment and receiver.
- Connect the equipment into an outlet on a circuit different from that to which the receiver is connected.
- Consult the dealer or an experienced radio/TV technician for help.

To assure continued compliance, any changes or modifications not expressly approved by the party.

Responsible for compliance could void the user's authority to operate this equipment. (Example- use only shielded interface cables when connecting to computer or peripheral devices).

This equipment complies with Part 15 of the FCC Rules. Operation is subject to the following two conditions:

- (1) This device may not cause harmful interference, and
- (2) This device must accept any interference received, including interference that may cause undesired operation.