

规格承认书

SPECIFICATION FOR APPROVAL

客户型号 (MODEL NO)	615A142000
客户料号 (PART NO)	
供方型号 (MODEL NO)	2. 4GHz&5. 8GHz 2DBI 109MM ROHS
供方料号 (PART NO)	G120-03-G-A1
最小包装量 (MPQ)	
品牌 (BRAND)	
送样日期 (DATE)	2023-02-0
样品数量 (QUANTITY)	10

供方确认			客户确认		
APPROVED SIGNATURES			APPROVED SIGNATURES		
承办 PREPARED BY	审核 CHECKED BY	核准 APPROVED BY	检测 TESTED BY	审核 CHECKED BY	核准 APPROVED BY
					

Add: 9TH District,Zhongkai National Hi-Tech DevelopmentZone,
 HuiZhou Guangdong China
 Tel: 0752-2619185 Fax:0752-2619186
 QQ:3178504092
 E-mail:jinqiang@desanwire.com
<http://www.desanwire.com>

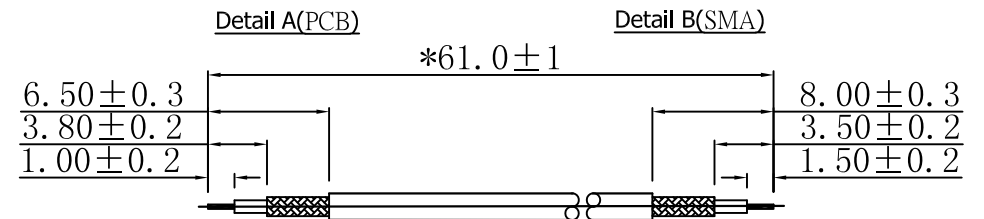
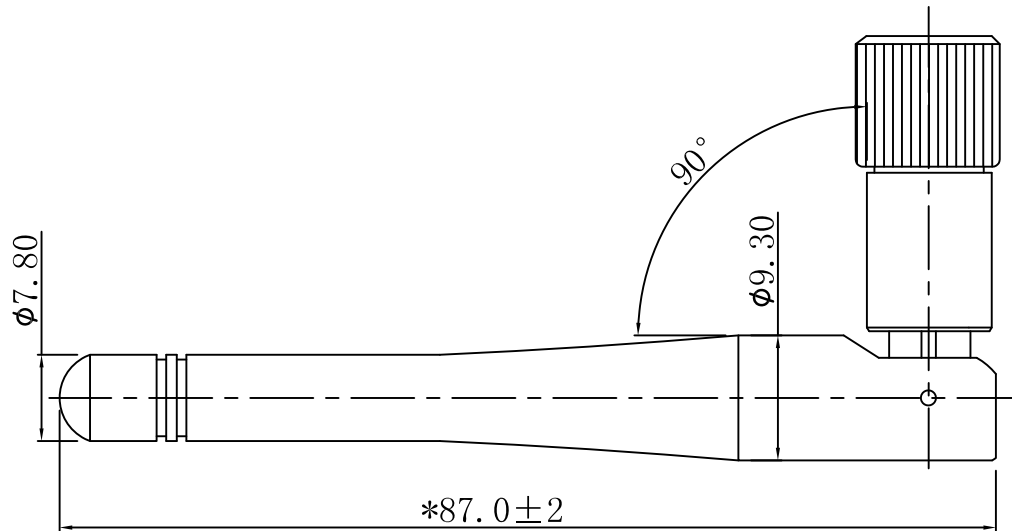
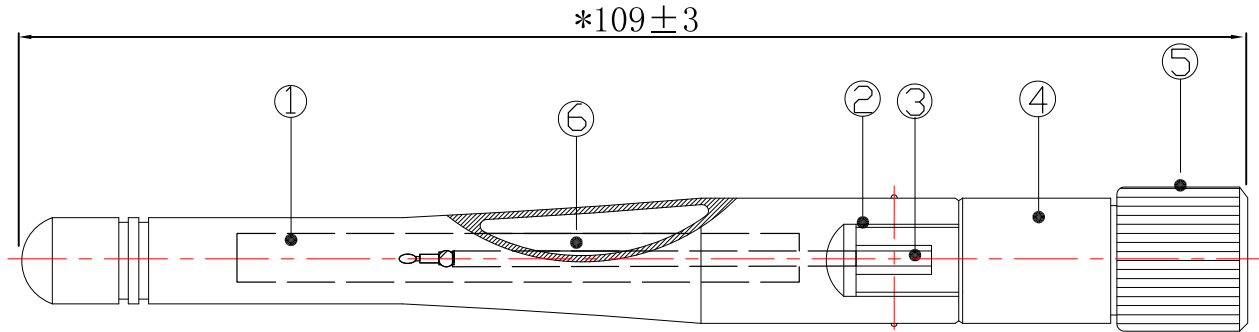
3. 规格表 Specification


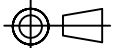
A. Electrical Properties	
Frequency Rang 频段范围	2.40-2.50GHz 5.15-5.85GHz
Impedance 特性阻抗	50 Ω Nominal
VSWR 电压驻波比 平行180度	1.92 Max.
VSWR 电压驻波比 弯折90度	1.92 Max
Out of roundness 不圆度	3.0dB (Max.)
Radiation 辐射方式	Omni-Directional/全向
Polarization 极化方式	Linear Vertical/垂直
B. Physical Properties	
Connector Type 连接方式	SMA
Cable 线材	RG-178
Antenna Radiator 天线振子体	PCB 板表面金属线
Antenna Plastic 天线塑胶	Body:TPE Hinge:PC+PBT Holder:PC+PBT
C. Environmental	
Storage Temp 存储环境范围	-40℃~+85℃
Operating Temp 工作环境	-10℃~+65℃
Storage humidity 存储湿度	95%
Working humidity 工作湿度	5%~95%

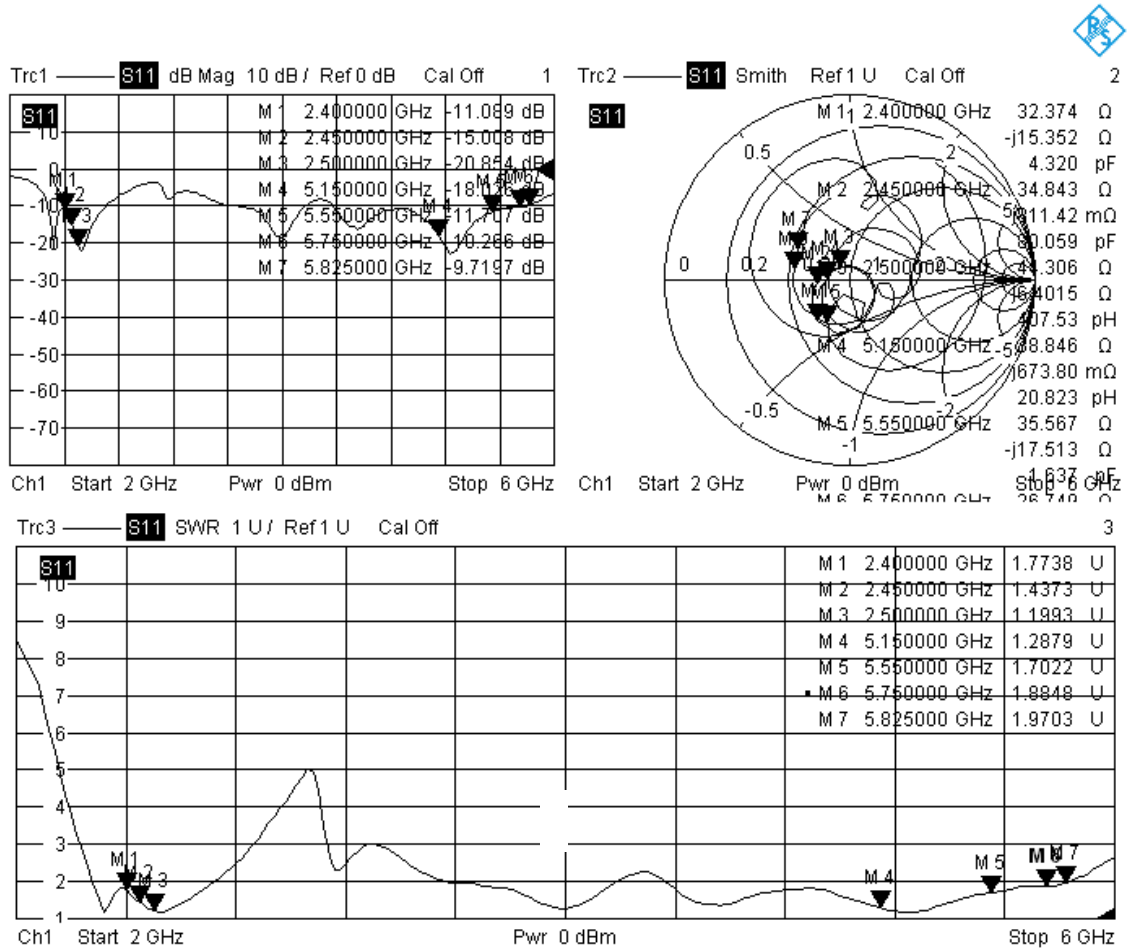
4. 产品实物图片 Product picture



SIGN	DATE	DESCRIPTION	APPROVER
X0	20.09.07	New drawing	JOHN.LIU



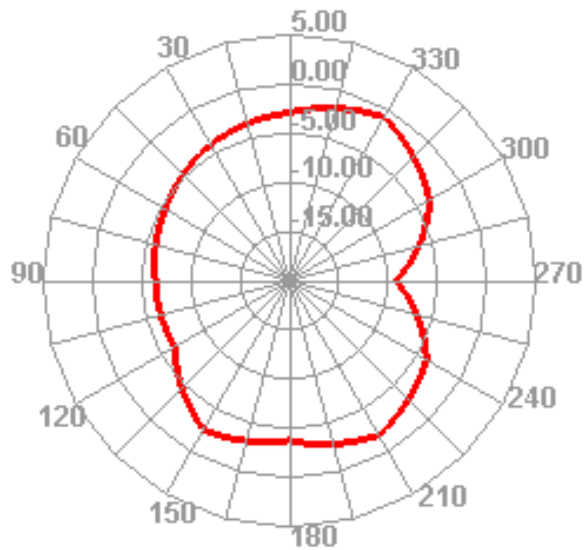
TITLE:				 惠州市德亿科技有限公司 无线高频方案提供	
P/N:		615A142000			
CUSTOMER:		---			
DRAW NO.:		G120-03-G-A1			
DIMENSIONS TOLERANCES UNLESS OTHERWISE NOTED					
一般公差 TOLERANCE					
				APPROVED	
				CHECKED	
				DRAWN	JOHN.LIU



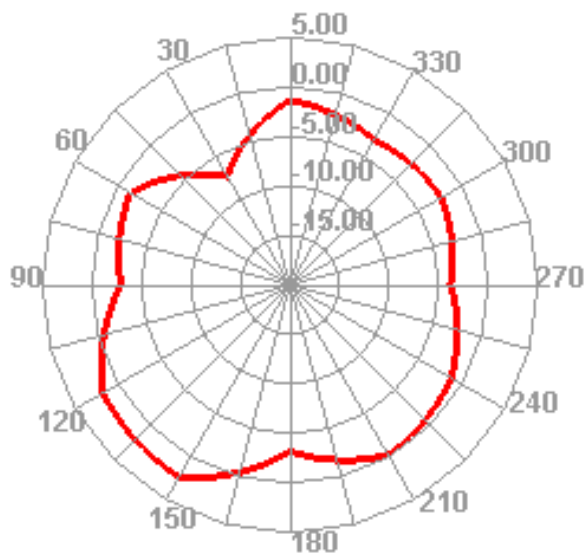
Frequency(MHz)	Peak Gain (dBi)	Low Gain (dBi)	Average Gain (dBi)	Efficiency Total (%)
2400	1.42	1.16	1.23	83.75
2450	1.67	1.54	1.36	86.10
2500	1.86	1.62	1.74	86.70
5150	1.67	0.86	1.37	70.96
5350	1.73	0.88	1.40	73.62
5825	2.55	1.37	2.26	76.74

5.5 暗室2D、3DRaditation Pattern

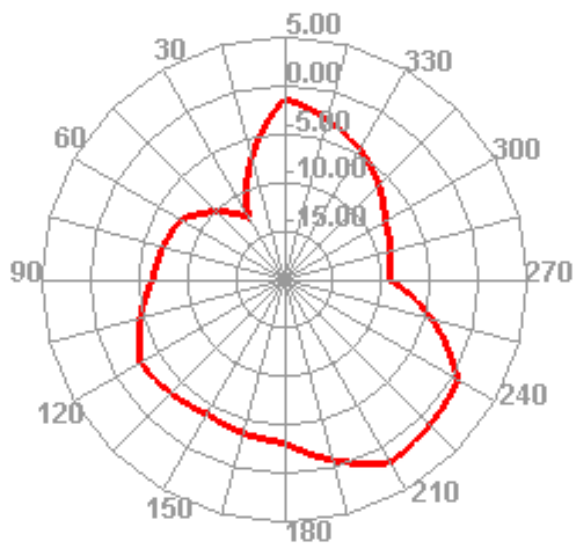
2500MHz H



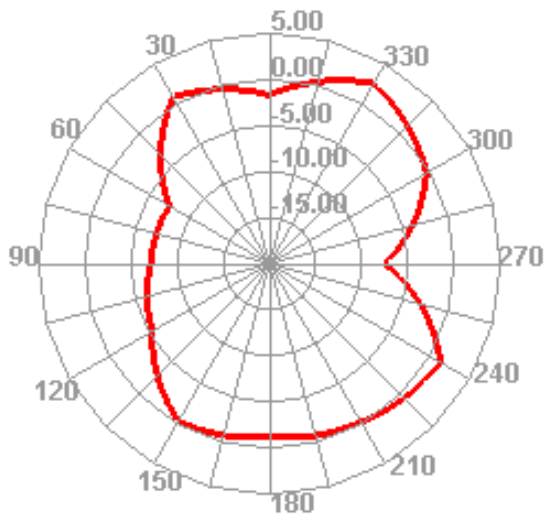
2500MHz E1



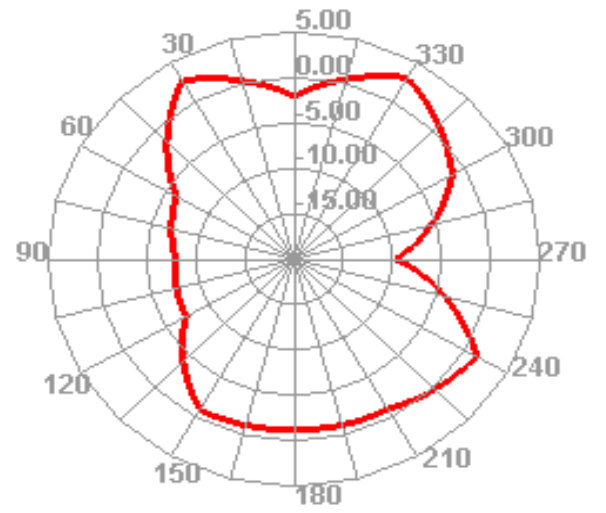
2500MHz E1



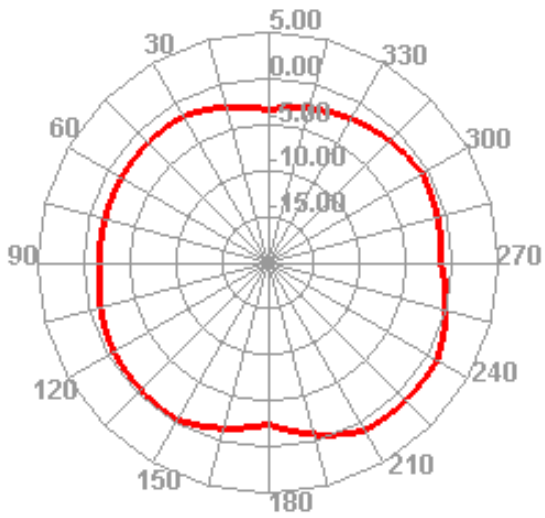
5150MHz H



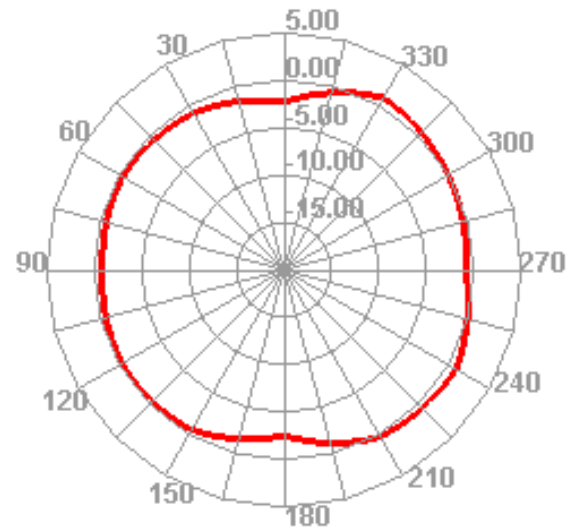
5825MHz H



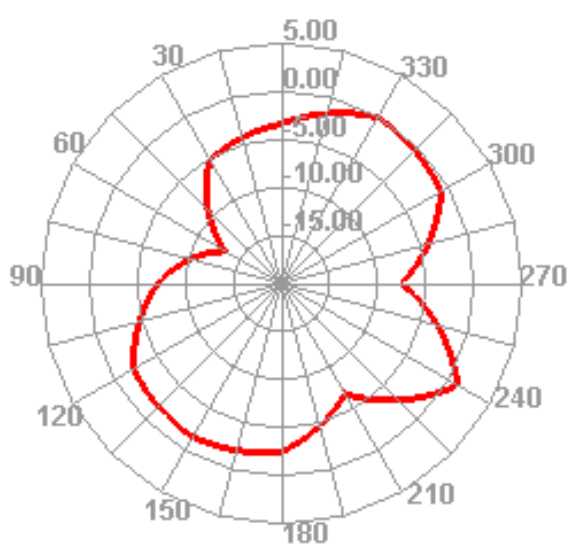
5150MHz E1



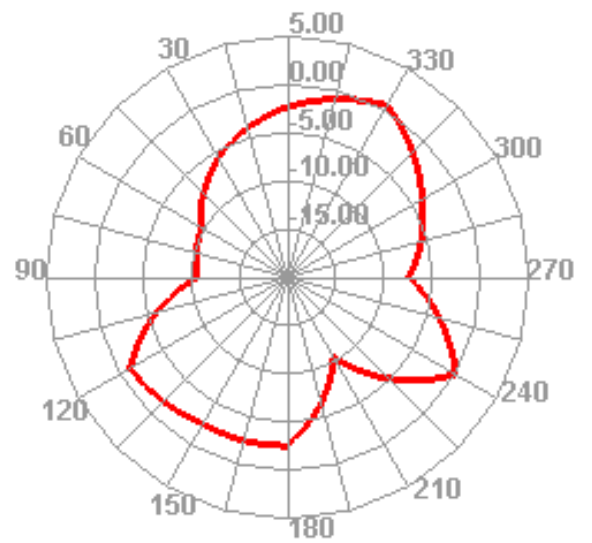
5825MHz E1



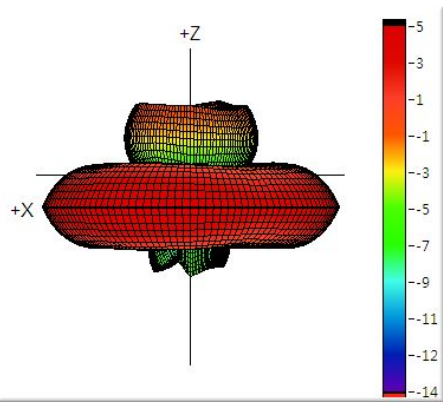
5150MHz E2



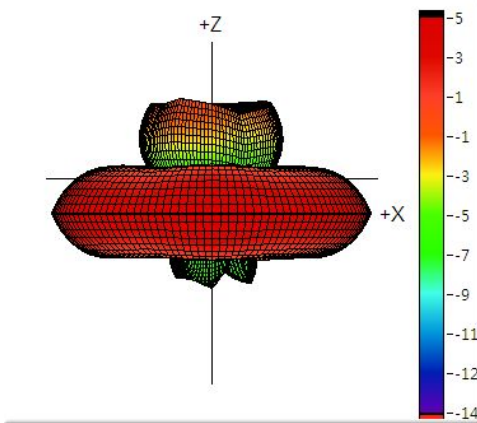
5825MHz E2



2500MHz 3D



5150MHz 3D



5825MHz 3D

