



The Photos of SAR test

No. I18Z60700-SEM02

For

WORKERBASE GmbH

WIFI/BT Watch

Model Name: WB-3301

With

Hardware Version: PIO01

Software Version: W0P



Note:

The test results in this test report relate only to the devices specified in this report. This report shall not be reproduced except in full without the written approval of CTTL.

The report must not be used by the client to claim product certification, approval, or endorsement by NVLAP, NIST, or any agency of the U.S. Government.

Test Laboratory:

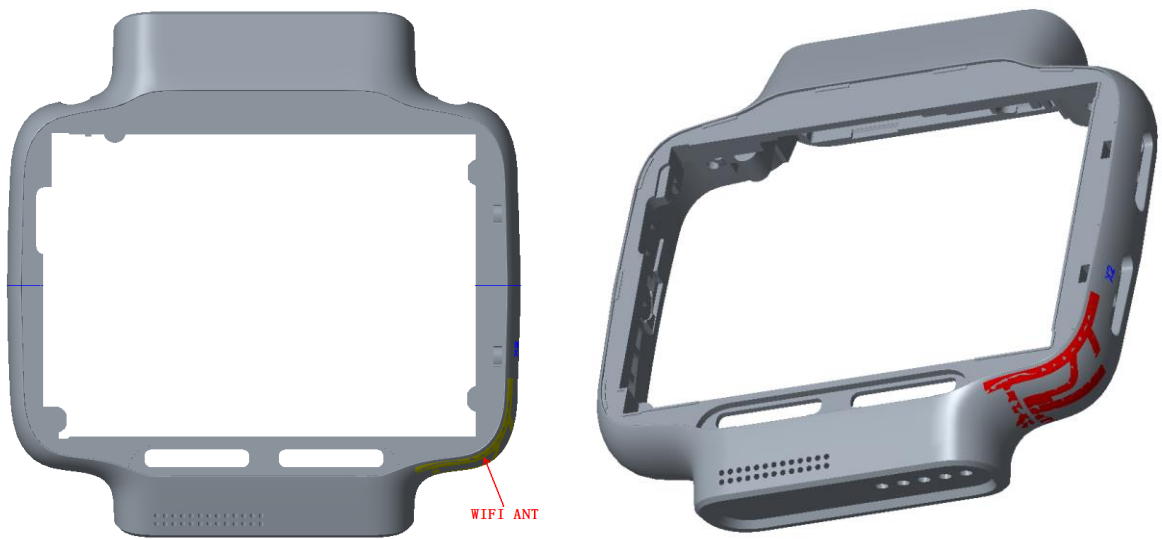
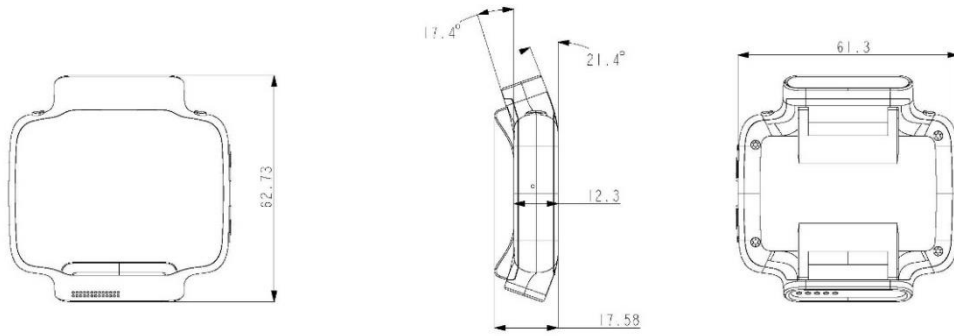
CTTL, Telecommunication Technology Labs, CAICT

No. 51, Xueyuan Road, Haidian District, Beijing, P. R. China 100191.

Tel:+86(0)10-62304633-2512, Fax:+86(0)10-62304633-2504

Email: ctl_terminals@caict.ac.cn, website: www.caict.ac.cn

Antenna Locations:





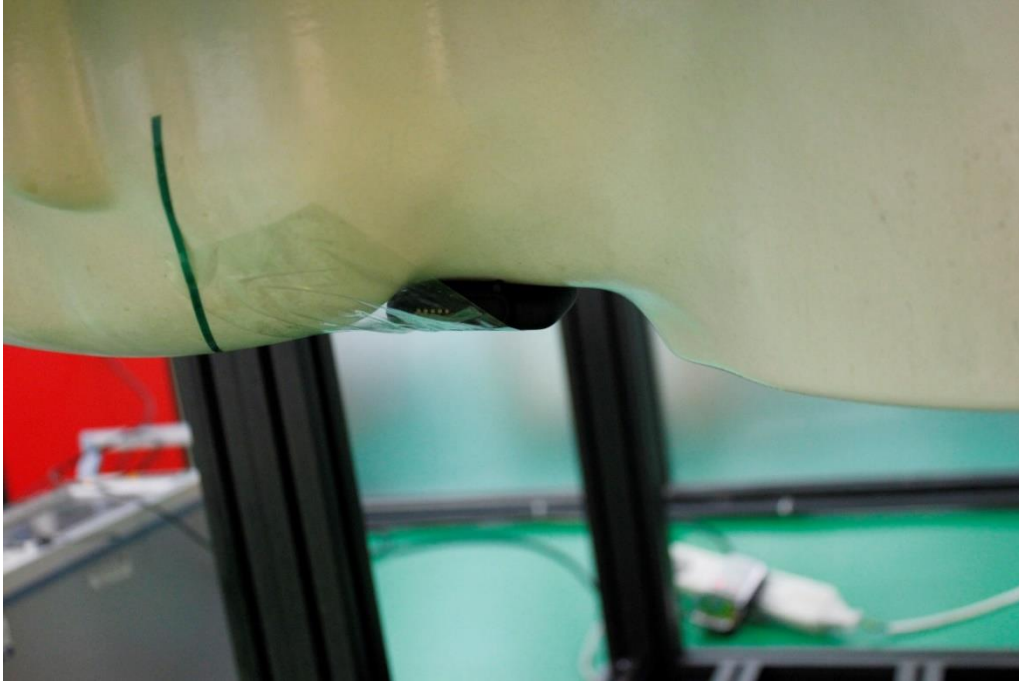
Picture 1: Constituents of the sample

Test positions for Limb:

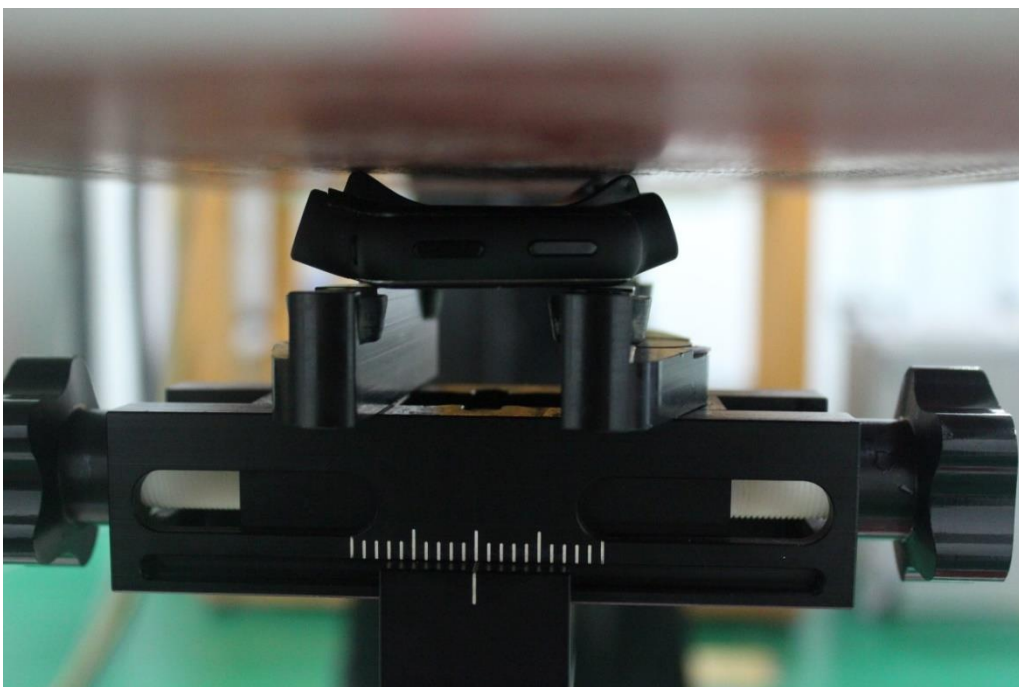
Since the back of the watch is too curved to positioned in direct contact against a flat phantom, the Limb SAR is tested at the following 2 test positions.

Position1: Place the watch under the neck of SAM phantom so that the WiFi antenna part in direct contact with the phantom.

Position2: the back of watch in contact with the flat phantom.



Picture 1: Position1



Picture 2: Position2

Test positions for next to the mouth:

Position3: Next to the mouth use is evaluated with the front of the device positioned at 10 mm from a flat phantom.



Picture 3: Position3