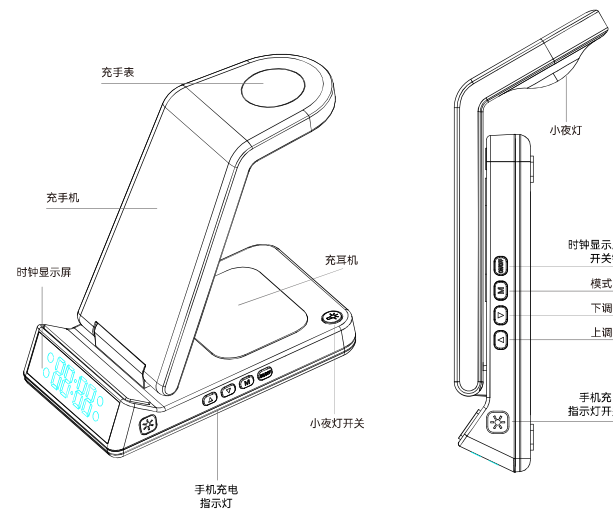


# 五合一无线充电器 User Manual



## 产品介绍



## 充电方式

1. 接通电源后，指示灯闪烁，随后熄灭，表示产品进入待机状态；
2. 对准产品感应区域，放上充电产品，指示灯常亮，进入充电状态；
3. 移走充电产品，指示灯熄灭，产品恢复待机状态。

## 时钟介绍

1. 除了显示时间，还有相应的小图标
2. 状态显示：时间/闹钟/AM/PM；
3. 关闭闹钟功能，闹钟图标亮，关闭功能时灭；
3. 开机默认为闹钟模式，时间图标亮，进入设定模式时，时间图标灭。

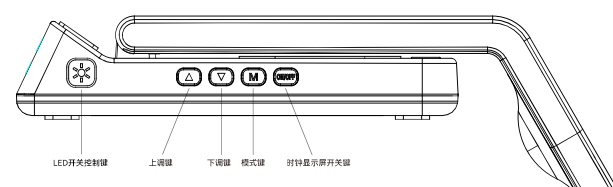


### ● 闹钟功能说明

1. 长按上键 3 秒 开启闹钟，长按下键 3 秒 关闭闹钟，开启闹钟功能后，会连续使用上一次设置的闹钟时间。
2. 短按模式键 1 秒，闹钟图标闪烁，按上下键设置闹钟时间，设置好闹钟后，默认为每天启动闹钟功能。

### ● 时钟功能说明

1. 长按模式键 3 秒后，时间图标闪烁，按上下键设置时间，调整好时间后，按模式键确认。



1. LED 开关控制键：LED 灯默认亮，短按一下此键 LED 灯灭。
2. 模式键：短按一下进入闹钟设定模式，默认先设定小时的两位数字，通过上键和下键调整，再短按一下模式键切换至分钟的两位数字，再短按模式键退出，长按 2 秒进入时间设定模式，调整操作与闹钟模式一致。
3. 上键：在进入设定模式时，短按增加，长按快速递增，闹钟模式时，长按此键 2 秒开启闹钟或关闭，短按无功能。
4. 下键：在进入设定模式时，短按减少，长按快速递减，闹钟模式时，长按此键 2 秒开启闹钟或关闭，短按无功能。

配备一颗 CR2032 纽扣电池，当外部电源断开时，LED 灯全灭，此时纽扣电池仅作为时间记忆功能使用。

配备一个蜂鸣器，闹钟功能触发时响铃，响铃 5 分钟后自动关闭，也可放在按键关闭闹钟铃声。

## 产品参数

输入: QC/PD 18W Type-C	尺寸: 169*75*57mm
输出: 5W/7.5W/10W/15W (智能手机)	充电距离: 3-8mm
输出: 5W (耳机)	重量: 192g
输出: 2.5W (手表)	转换效率: 80%-85%
USB 输出: 5V-1.5A	
颜色: 黑色/白色 (支持定制)	

## 常见问题解答

1. 手机放不上不充电？  
手机未对准充电感应区域或接收线圈未正确安装。
2. 充电发热？  
无线充电过程接收线圈或发射板出现发热为正常现象。
3. 手机充电断续？  
A. 适配器充电电流不够或电压不稳定，请使用 QC3.0 快速充电头充电。  
B. 充电位置太偏，电磁感应不好，可调整充电位置。
4. 手机指示灯正常，手机却不工作？  
手机接收线圈故障，建议更新接收线圈或者修理手机（内置接收线圈）。
5. 充电比预期慢？  
手机本身或者外置接收线圈允许无线充电电流的大小不一样，或者手机充电时待机耗电大，建议减少手机待机程序。
6. 此产品支持哪些机型？  
本产品支持所有 Qi 标准手机，如 iPhone8 及以上型号，华为 P30 Pro，Mate 20pro 及以上版本，三星 S6，Note 5 及以上版本，LG G2 及以上版本等具有无线充电功能的所有手机及耳机。
7. 此产品支持有线充电吗？  
可以，同时支持有线充，连接好无线充后，将数据线直接插入 USB-A 接口即可。
8. 苹果手机手表放哪里？  
可放苹果手机手表无线充，产品背部和底部有设计专门磁卡槽。

## 注意事项

1. 请勿强碰拉扯电源线，避免电源线断裂或脱落。
2. 请勿将自行拆卸或投入火中、水中，避免造成短路漏电。
3. 请勿将产品在严重高温、潮湿或腐蚀性环境下使用，避免损坏电路出现漏电现象。
4. 请勿给儿童玩耍，以避免不必要的意外。

## 安全须知

1. 使用快充时，请使用合格 QC3.0 充电器适配器和快充线，否则可能引起充电不稳定。
2. 请勿在充电板上放置金属物或磁卡，可能会引起充电器损坏或异常。
3. 使用过程中如果感到接收线圈或发射板过热导致停止充电，请取下充电产品，待冷却后，重新尝试充电。

## 保修范围

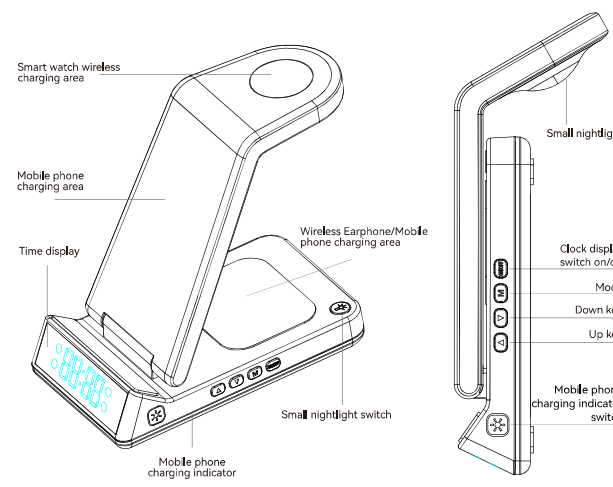
产品在正常使用过程中出现不能正常工作或正常使用时出现故障，并经过我公司认定后可享受公司的售后服务承诺。  
以下情况不在保修范围之内：  
1. 配件不保修；  
2. 因用户操作不当导致故障的；  
3. 因意外灾害、人为损坏、自行拆卸、随意拆卸等引起故障的；  
注：因用户操作不当所导致的损坏移动设备，甚至带来危险，我公司不承担任何责任。  
4. 超期维修  
产品超过半年保修期，客户仍享受维修服务，但需缴纳维修人工费、材料费等。



# 5-in-1 Wireless Charger User Manual



## Schematic diagram



## Installation steps

1. When the power is connected, the indicator light flashes and then goes out, indicating that product is in standby state.
2. When the charging device is placed on the induction area, the indicator light keeps on, indicating that product is in charging state.
3. When the charging device is removed, the indicator light is turned off, indicating that product resumes to standby state.

## Introduction to Clock

1. In addition to showing the time on the screen, there are corresponding icons for alarm and clock function.
2. Turn on the alarm clock function, the alarm clock icon is on, turn off the function, the indicator is off.
3. The startup mode is lock by default, and the time icon is on. When entering the setting mode, the time icon is off.

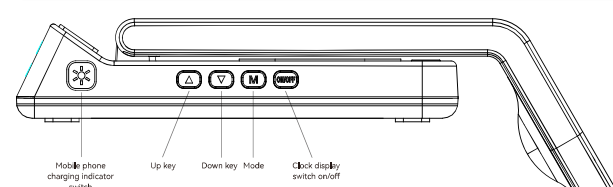


### ● Alarm Clock Instruction:

1. Press and hold the "up" key for 3 seconds to turn on the alarm, and press and hold the "down" button for 3 seconds to turn off the alarm. When the alarm function is turned on, it will continue to use the alarm time set last time.
2. Short press the "mode" key for 1 second, the alarm icon will flash, press the "up" and "down" keys to set the alarm time, after setting the alarm, the default is to start the alarm function every day.

### ● Time Setting:

1. Press and hold the "mode" key for 3 seconds, when the time icon flashes, press the "up" and "down" keys to set the time, after setting the time, press the "mode" key to confirm.



1. LED switch control key: the LED light is on by default, and the LED is off after a short press. Tap the light again and repeat.
2. Mode button: press the button to enter the alarm setting mode. By default, the two-digit hour is set first. Press the mode key again to switch to the two-digit number of minutes, press the mode key again to exit, and press for 2 seconds to enter the time setting mode, adjust the operation and the alarm modes are consistent.
3. Up button: when entering the setting mode, press the button to increase by 1, press the button to increase rapidly, and press the button to increase by 1. Long press this button for 2 seconds to turn on or off the alarm.
4. Down button: When entering the setting mode, short press to decrease 1, long press to decrease rapidly, and in the clock mode long press this button for 2 seconds to turn on or off the alarm.

Equipped with a CR2032 button battery. When the external power supply is disconnected, the LED lights are off, then the button battery can be used as time memory function.

Equipped with a buzzer. When the alarm clock function is triggered, it will ring and automatically turn off after ringing for 5 minutes. You can also press the key to turn off the alarm.

## Specication

Input: QC/PD 18W Type-C	USB output: 5V-1.5A
Output: 5W/7.5W/10W/15W (Max) for smart phone	Output: 2.5W (Smart Watch)
Output: 5W (TWS)	Weight: 192G
Size : 169*75*57mm	Conversion Efficiency: 80%-85%
Transmission Distance: 3-8mm	
Color: Black / White(Support customized)	

## Precautions

1. If used for fast charging, please use qualified 9V-1.67A (fast charging) power adapter and fast charging (4 pin) cable, if used for the standard charging, please use qualified 5V/2A power adapter, as this may cause instability in charge.
2. Do not place metal debris or magnetic stripe card to the charging panel, the charger may be damaged.
3. If the overheating after stop charging, remove the charging device to be cooled, and then try to re-charge.

## Safety Tips

1. Do not disassemble the product or in fire, water, and avoid causing short circuit.
2. Do not place the product in extremely hot, humid or corrosive environments, to avoid damage to the product.
3. Do not give children to play, in order to avoid unnecessary accidents.

## FAQ and Solution

1. My device is hot while charging, is it normal?  
If you don't charge your device in a good charging area, the heat dissipation may not be good and it will cause your phone hot during charging, product has overheat protection function.
2. Why it charges slowly than my original adapter came with the mobile device?  
—The wireless charging current size allowed by the phone itself or external receiver coils different.
- When the phone is charging, the standby power consumption is large, so it is recommended to reduce the phone standby program.
3. Is radiation from wireless charging harmful to one's health?  
The product wireless charger emits non-ionizing radiation which is not harmful to humans.
4. Is watch not charged?  
The watch is probably not placed in the proper position. Please reposition the device.

## Warranty

We provide all our customers 12 months warranty from the date of purchase.



## **RF exposure statement**

This equipment complies with the FCC RF radiation exposure limits set forth for an uncontrolled environment. This equipment should be installed and operated with a minimum distance of 20cm between the radiator and any part of your body.

### **FCC Warning**

This device complies with Part 15 of the FCC Rules. Operation is subject to the following two conditions:

(1) This device may not cause harmful interference, and (2) this device must accept any interference received, including interference that may cause undesired operation.

NOTE: Any changes or modifications to this unit not expressly approved by the party responsible for compliance could void the user's authority to operate the equipment.