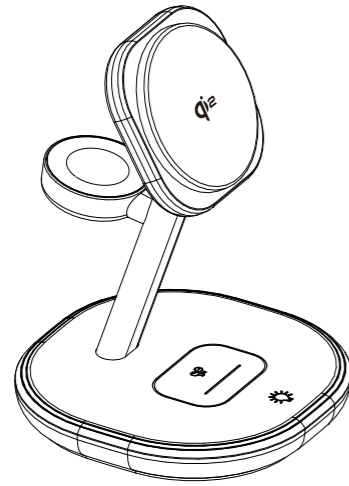
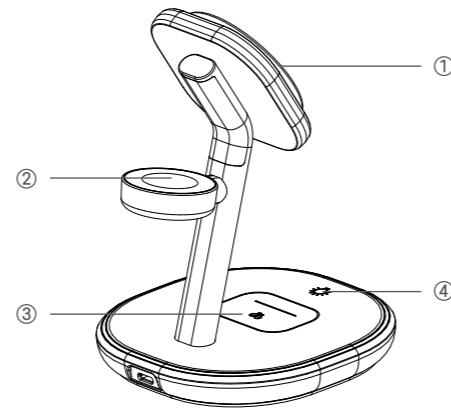


3-IN-1 Wireless Charger Product manuals



Products

This product is a three-in-one wireless charger, the preferred smart chip, while supporting cell phones, smart watches, headset bin three devices charging at the same time. Achieve high efficiency, stable performance, put on the instant charge, easy to enjoy wireless charging technology life. It can also wirelessly charge other electronic devices that support Qi standard.



- ① Cell phone wireless charger
- ② Watch wireless charging
- ③ TWS charging area
- ④ Lighted touch switch

Product parameters

Model: Z27	FCC ID: 2APQD-Z27
Input: QC/PD 9V=3A	Size: 105*105*140mm
Output: 5W/7.5W/10W/15W (Smart Phone)	Weight: 158g
Output: 5W (TWS)	Charging Distance: 3-8mm
Output: 2.5W (Smart Watch)	Conversion Efficiency: 80%-85% Max

Support Devices

1. Mobile phone wireless charging module is compatible with iPhone 8 to iPhone 15 series cell phones and other cell phones and devices that support Qi wireless charging protocol.

2. Watch wireless charging module is compatible with Apple 2 to 9 generation watches, SE watches and other series models wireless charging.

3. Wireless charging module for headphones is compatible with Qi standard headphone bin devices

(Note: The greater the distance from the center point, the worse the charging effect.)

FCC WARNING

This device complies with part 15 of the FCC Rules. Operation is subject to the following two conditions: (1) this device may not cause harmful interference, and (2) this device must accept any interference received, including interference that may cause undesired operation.

Any changes or modifications not expressly approved by the party responsible for compliance could void the user's authority to operate the equipment.

NOTE: This equipment has been tested and found to comply with the limits for a Class B digital device, pursuant to Part 15 of the FCC Rules. These limits are designed to provide reasonable protection against harmful interference in a residential installation. This equipment generates, uses and can radiate radio frequency energy and, if not installed and used in accordance with the instructions, may cause harmful interference to radio communications. However, there is no guarantee that interference will not occur in a particular installation.

If this equipment does cause harmful interference to radio or television reception, which can be determined by turning the equipment off and on, the user is encouraged to try to correct the interference by one or more of the following measures:

- Reorient or relocate the receiving antenna.
- Increase the separation between the equipment and receiver.
- Connect the equipment into an outlet on a circuit different from that to which the receiver is connected.
- Consult the dealer or an experienced radio/TV technician for help.

To maintain compliance with FCC's RF Exposure guidelines, This equipment should be installed and operated with minimum distance between 20cm the radiator your body. Use only the supplied antenna.

Operating Instructions

- Using the cable provided, connect the 3-in-1 Wireless Charger to a reliable wall adapter.
- Charging a Qi-Compatible Phone: Place your smart phone on top of the phone charging area to begin charging.
- Charging a Watch: Place your Apple watch atop of the watching charging area to begin charging. It's recommended that the watch charger either be flat angle for optimal charging.
- Charge the headset: place the headset over the TWS charging area to start charging.

Important Safety Instructions

When using this product, basic precautions should be followed, including but not limited to the following:

- Read and review the instructions manual before operating on the 3-in-1 wireless charger.
- Use only power adapters that are certified and tested to charge this item.
- We strongly recommend using a high quality, certified wall adapter to provide power to this device. Failure to do so may result in slow charging speeds or product failure.
- Avoid placing metal or magnetic items on the charging area which could result in overheating and product failure.
- To reduce the risk of injury, close supervision is necessary when the product is used by children.
- Do not expose the power bank to extreme weather (rain, snow, excessive heat).
- Do not disassemble the product or replace any parts. In case of the damage to this item, please stop using the product immediately.



Z27说明书 风琴页折页 一折两面 正反面128g哑粉纸 120*90mm 单色印刷