

# Sample acknowledgement

Customer name: Shenzhen Aodehong Electronics Co., LTD

Customer part number: EXQ-40MM00002

Material name: Wireless charging and transmitting coil

Brand name: Jelitong Technology

Specification and model: T40\*5.0\*0.5 6.5uH 10%

edition: 1

Production lot/material number:

Sample delivery date: 2022-01-22

Sample signing date:

Customer recognition:				Supplier recognition:		
purchase	ENGINEER	examine	Comment	Work out	examine	Give permission
	RING			Chen Cuizhu	Li Shupo	Zhang Jun

Shenzhen Jielitong (Tuosheng) Technology Co., LTD

Phone: 0755-3361 6363

Fax: 0755-3306 5865

Contact: Zhang Jun 18926001820

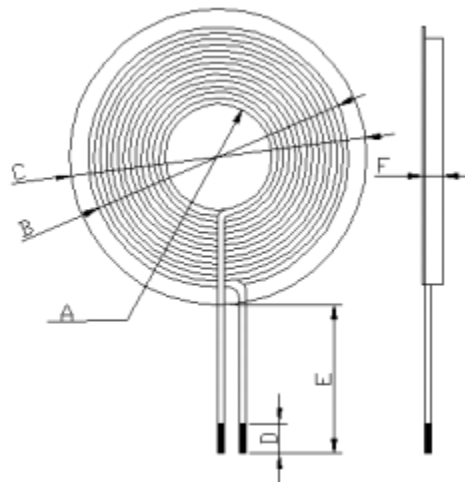
Address: 5, Building C, No. 2, Xuexue Science Park North, Bantian Street, Longgang District, Shenzhen



# 1. Basic specification

No.	Product	Model	apply	manufacturer	remark
1	Wireless charging transmitter coil	40*5.0 *0.5			

# 2. Dimensions (unit :mm)



Operating frequency: 113kHz-205kHz

ITEM	A	B	C	D	E	F
SPEC.	20 ±0.5	38 ±0.5	40±0.5	2±2	30±2	2.0max

### 3. Schematic diagram



### 4. Winding technology

N0	winding	Wire gauge	Start	Tail	turns	rubber rings	Winding
1	N1	0.08*24*2P	1	2	10Ts		
2							
3							
4							

### 5. Electrical property parameter

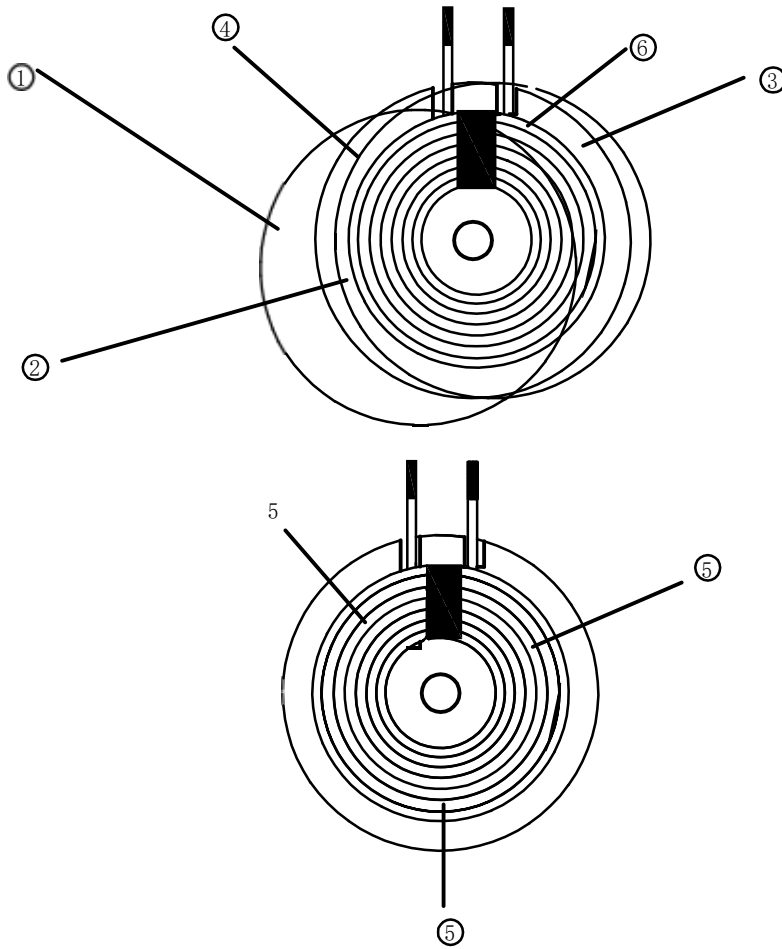
5.1 Test condition: Ambient humidity: 65±20%  
Ambient temperature: 25±5 °C

5.2 inductance:  $L=6.5\mu\text{H} \pm 10\%$  at 100kHz, 1V; (Based on the number of turns) . 5.3 DCR: 70mΩ max

5.4 Max Current: 2.0A

5.5 Q value: 70 (min)

## 6. Construction



NO	Material Name
1	Rubber backing
2	Ferrite sheet
3	coil
4	
5	glue
6	Fixed adhesive paper