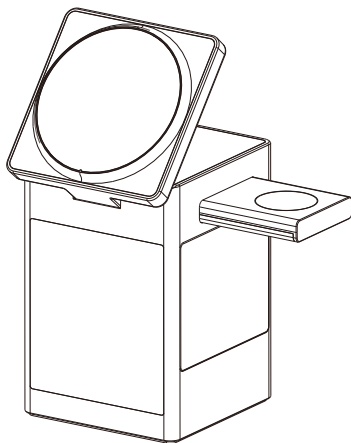


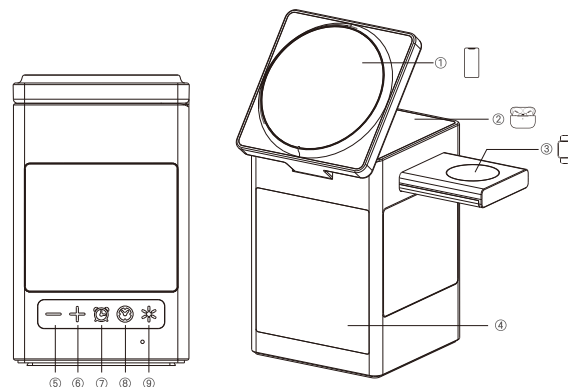
# Multi-Function Wireless Charger

## Product Instruction Manual



## Products

This product is a multi function wireless charger with a preferred smart chip that supports charging of three devices at the same time: cell phones, smart watches and TWS. Comes with clock, alarm, Pixel animation. Realize high efficiency, stable performance, put it on the charge, easy to enjoy wireless charging technology life. It can also wirelessly charge other electronic devices that support Qi standard.



- ① Mobile Phone Charging Area    ② Headset Charging Area    ③ Watch Charging Area  
④ Display Screen    ⑤ Minus Button/Pixel Screen Switch    ⑥ Plus Button  
⑦ Alarm Button/Alarm Setting    ⑧ Clock Button    ⑨ Display Brightness Button

## Product Features

### Button Function Introduction

- Five physical buttons: ⑤ Minus Button/Pixel Screen Switch ⑥ Plus Button  
⑦ Alarm Button/Alarm Setting ⑧ Clock Button ⑨ Display Brightness Button
- ⑤ Minus Button/Pixel Screen Switch: (1) when entering the time/alarm setting mode, short press to decrement by 1, long press for fast decrement.  
(2) Short press the display screen to change from clock display to pixel display, with pixel images played in sequence and repeatedly looped.
- ⑥ Plus Button: Up button: when entering the time/alarm setting mode, short press to increment 1, long press for fast increment.
- ⑦ Alarm Button/Alarm Setting: (1) Long press 1 second to enter the alarm setting mode, An alarm icon will appear, the default first set the hour of two digits, through the Minus button and Plus button to adjust, and then short press this button to switch to the minutes of the two digits, set the completion of this button and then short press this button to save and exit (enter the alarm setting mode within 10 seconds of no operation to automatically exit the setting mode)  
(2) Short press the Alarm switch/Alarm settings button, "ON" appears in the display to turn on the alarm; short press this button again and "OFF" appears to turn off the alarm.  
(3) Alarm clock setup is completed to turn on the alarm function, repeat ringing every day, ringing duration of 5 minutes, alarm clock ringing, press any button to stop the alarm.
- ⑧ Clock Button: (1) Long press 1 second to enter the alarm clock setting mode, An alarm clock icon will appear, the default first set the hour of two digits, through the Plus Button and Minus Button to adjust, and then short press this button to switch to the minutes of the two digits, set the completion of this button and then short press this button to save and exit (enter the alarm clock setting mode within 10 seconds of no operation to automatically exit the setting mode)  
(2) Press and hold for 1 second to enter the Adjust 12/24 Hour Mode, adjust with the Plus Button and Minus Button, then tap this button to exit.  
(Note: Initial power-up display clock interface, the clock has 12/24-hour system, the initial display of the 12-hour system; 12-hour system has AM/PM mark, AM mark and PM mark only in the 12-hour system light)
- ⑨ Display Brightness Button: Display defaults to bright, Short press this button to adjust the brightness of the display, the brightness is divided into four levels of high - medium - low - extinction (circulate)

## Product Parameters

Model: S5	Size: 67*67*109mm
Input: QC/PD 9V≡3A	Charging Distance: 3-6mm
Output: 5W/7.5W/10W/15W (Smart Phone)	Weights: 313g
Output: 5W (TWS)	Conversion Efficiency: 80%-85% Max
Output: 2.5W (Smart Watch)	FCC ID: 2APQD-S5

## Frequently Asked Questions

- The phone is not charging when you put it on?  
The phone is not aligned with the charging induction area or the receiving coil is not properly installed.
- Charging is hot?  
It is normal for the receiving coil or transmitting board to get hot during wireless charging.
- Is the phone charging intermittently?  
A. The adapter charging current is not enough or the voltage is unstable, please use QC3.0 fast charging head electricity.  
B. The charging position is too partial, the electromagnetic induction is not good, you can adjust the charging position.
- Charging is slower?  
The phone itself or external receiver coil allows wireless charging current size is different, or the phone charging standby power consumption is large, it is recommended to reduce the phone standby program.
- What models does this product support?  
This product supports all Qi standard cell phones, such as iPhone 8 and above models, Huawei P30 Pro, Mate 20pro and above versions, Samsung S6, Note 5 and above versions, LG G2 and above versions, and all cell phones with wireless charging function and headphone compartment.

## FCC WARNING

This device complies with part 15 of the FCC Rules. Operation is subject to the following two conditions: (1) this device may not cause harmful interference, and (2) this device must accept any interference received, including interference that may cause undesired operation. Any changes or modifications not expressly approved by the party responsible for compliance could void the user's authority to operate the equipment.

NOTE: This equipment has been tested and found to comply with the limits for a Class B digital device, pursuant to Part 15 of the FCC Rules. These limits are designed to provide reasonable protection against harmful interference in a residential installation. This equipment generates, uses and can radiate radio frequency energy and, if not installed and used in accordance with the instructions, may cause harmful interference to radio communications. However, there is no guarantee that interference will not occur in a particular installation. If this equipment does cause harmful interference to radio or television reception, which can be determined by turning the equipment off and on, the user is encouraged to try to correct the interference by one or more of the following measures:

- Reorient or relocate the receiving antenna.
- Increase the separation between the equipment and receiver.
- Connect the equipment into an outlet on a circuit different from that to which the receiver is connected.
- Consult the dealer or an experienced radio/TV technician for help.

To maintain compliance with FCC's RF Exposure guidelines, This equipment should be installed and operated with minimum distance between 20cm the radiator your body: Use only the supplied antenna.

## Cautions

- Please do not pull the power cord strongly to avoid the power cord breakage or fall off.
- Do not disassemble or put into fire or water to avoid short circuit and leakage.
- Do not use the product in severe heat, humidity or corrosive environment to avoid damage to the circuit leakage.
- Please do not give children to play to avoid unnecessary accidents
- When using fast charging, please use qualified QC3.0 charging power adapter and fast charging cable, otherwise it may cause charging instability.
- Please do not put metal debris or magnetic cards on the charging board, which may cause damage or abnormalities to the charger.
- If you encounter the receiving coil or transmitting board overheating during use, resulting in stopping charging, please remove the charging product, wait for it to cool down, and then try charging again.

## Warranty Coverage

If the product does not work properly during normal use or fails during normal use, and is determined by our company, you can enjoy Subject to our company's after-sales service commitment.

The following cases are not covered by the warranty:

- accessories are not warranted.
- failure caused by improper operation of the user.
- caused by accidental disasters, man-made damage, self-disassembly, random disassembly, etc. caused by failure.

Note: The damage caused by improper operation of the user mobile equipment, or even bring danger, our company does not assume any responsibility.

- Overdue maintenance (products more than six months warranty period, customers still enjoy maintenance services, but need to pay the maintenance labor, material costs, etc.)

