

## SPECIFICATION FOR APPROVAL

CUSTOMER: **Shenzhen Aodehong Electronic Technology Co., LTD**

---

CUST P/N:

---

FINE P/N: **G4511-6.5uH single coil 0.08\*105P\*12TS**

---

DESC: **Φ43.5MMX5.0MMX0.8MM double-groove**

---

DATE: **November, 1,2022**

---

Version: **A.0**

---

| PREPARED BY      | CHECKED BY  | APPROVED BY  | CUSTOMER APPROVE |
|------------------|-------------|--------------|------------------|
| Yanming<br>Huang | Yuanan Ning | Jinhua Huang |                  |

## Shenzhen Songdao Technology Co., LTD

Add: 8th Floor, Building 2, Sanjia High-tech Industrial Park, No.123 Junfa Third Road, Dongkeng Town, Dongguan City

TEL: 13728755750

FAX: 0755-84526500

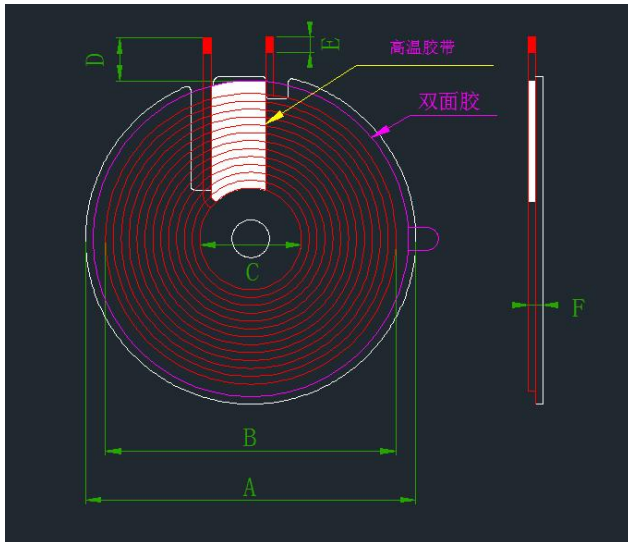
E-mail: [506388681@qq.com](mailto:506388681@qq.com)

| Rev. | Before Change | After Change | Change Date  | Approved By |
|------|---------------|--------------|--------------|-------------|
| A.0  | New issue     | ----         | July,24,2018 | Jinhua      |

## SPECIFICATION

|      |   |          |           |            |
|------|---|----------|-----------|------------|
| DESC | $\Phi$<br><b>13.5x39-6.5uH-0.08x105P-20mm-43.5C</b> | Rev: A.0 | CUST:     | <b>XXX</b> |
|      |   |          | CUST P/N: |            |

一、DIMENSION:(mm)



|   |            |
|---|------------|
| A | 43.5.0±0.5 |
| B | 39±1       |
| C | 13.5±0.5   |
| D | 20±2       |
| E | 3±2        |
| F | 2±0.2      |
|   |            |
|   |            |
|   |            |
|   |            |
|   |            |

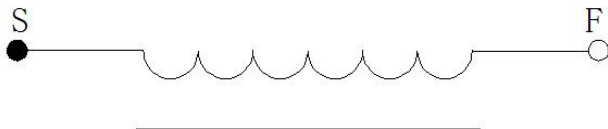
Notes:

1. Cross out the wire.
2. Wrap 8mm (ref) width high temperature adhesive paper 1-2Ts at the wire outlet position.
3. Coil paste round hard magnetic sheet with groove, magnetic sheet size 43.5±0.5mm, inner hole 5.3mm, thickness 0.8±0.2mm, adhesive backing.

For phone: 113kHz-205kHz

Antenna gain: 0dBi

二、SCHEMATIC DIAGRAM:



三、Winding Specification:

| NO. | TERMINAL | WIRE                        | Turns | Winding Direction |
|-----|----------|-----------------------------|-------|-------------------|
| 1   | S F      | silk-covered wire 0.08*105P | 12Ts  | CCW               |

四、ELECTRICAL CHARACTERISTICS:

TEMPERATURE:25±10°C, RELATIVE HUMIDITY:65±20%

| NO. | ITEM | TERMINAL | SPECIFICATION          | TEST FREQUENCY | TEST EQUIPMENTS |
|-----|------|----------|------------------------|----------------|-----------------|
| 1   | IND. | S-F      | 3.8uH ±20% single coil | 100KHz/1.0V    | LCZ METER 1062B |
| 2   | IND. | S-F      | 6.5uH ±10% +           | 100KHz/1.0V    | LCZ METER 1062B |
| 3   | Q    | S-F      | ≥55                    |                |                 |
| 4   | DCR  | S-F      | ≤48mΩ                  |                | LCZ METER 502B  |

|                  |                 |
|------------------|-----------------|
| PREPARED BY/DATE | CHECKED BY/DATE |
|------------------|-----------------|

|                                |                              |
|--------------------------------|------------------------------|
| Yanming Huang November 1, 2022 | Jinhua Huang November 1,2022 |
|--------------------------------|------------------------------|