

SPECIFICATION FOR APPROVALCUSTOMER: **Dongguan Kafulle Electronics Co., LTD**

CUST P/N:

FINE P/N: **iphone Watch transmitter coil8.1UH 0.08*24P*14Ts
soft magnetic**

DESC:

DATE: **November 8, 2022**Version: **A.0**

PREPARED BY	CHECKED BY	APPROVED BY	CUSTOMER APPROVE
Yanming Huang	Yuanan Ning	Jinhua Huang	

Shenzhen Songdao Technology Co., LTD

Add: 8th Floor, Building 2, Sanjia High-tech Industrial Park, No.123 Junfa
Third Road, Dongkeng Town, Dongguan City

TEL: 13728755750

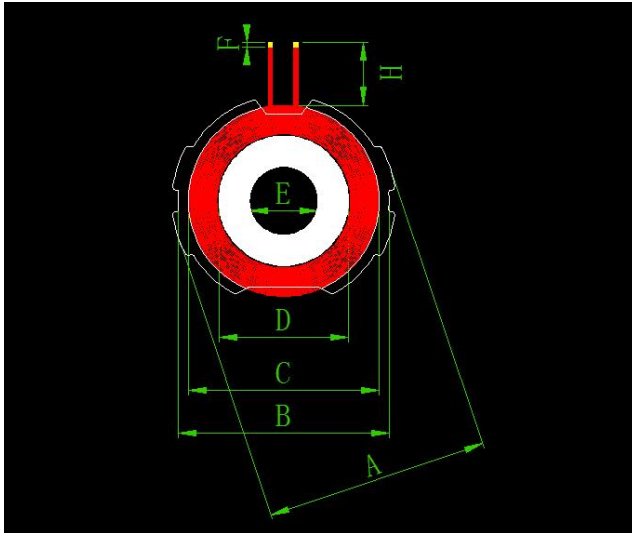
FAX: 0755-84526500

E-mail: 506388681@qq.com

SPECIFICATION

DESC	15*21.5-8.1UH-8MM-25C	Rev: A.0	CUST:	XXX
			CUST P/N:	

一、 DIMENSION:(mm)

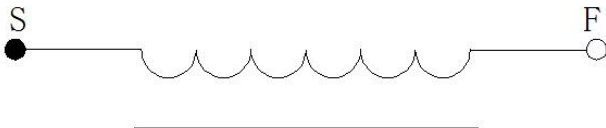


A	25±1
B	23.6±0.5
C	21.5±0.5
D	14.5±0.3
E	7.7±0.05
F	3±2
H	8±2

For watch: 300kHz-350kHz

Antenna gain: 0dBi

二、 SCHEMATIC DIAGRAM:



Notes:

1. Crossing out the line.
2. Out of the line position wrapped mm (ref) width of high-temperature adhesive paper Ts.
3. coil paste round soft magnetic sheet with notch at both ends, magnetic sheet size 25±1mm, inner hole 7.7mm, thickness 2.8±0.2mm.
4. Installation of 7.5 * 2.2mm, N52 magnet, paste the backing.

三、 Winding Specification:

NO.	TERMINAL	WIRE	Turns	Winding Direction
1	S F	enameled wire 0.08*24P	14Ts	CCW

四、 ELECTRICAL CHARACTERISTICS:

TEMPERATURE:25±10°C, RELATIVE HUMIDITY:65±20%

NO.	ITEM	TERMINAL	SPECIFICATION	TEST FREQUENCY	TEST EQUIPMENTS
1	IND.	S-F	4.0uH ±10% single coil	1KHz/0.3V	LCZ METER 1062B
2	IND.	S-F	8.1uH ±10% single coil	1KHz/0.3V	LCZ METER 1062B
3	DCR	S-F	≤137m Ω	1KHz/0.3V	LCZ METER 502B
4	Q	S-F	≥25	1KHz/0.3V	LCZ METER 502B

PREPARED BY/DATE	CHECKED BY/DATE
Yanming Huang November 8, 2022	Jinhua Huang November 8, 2022