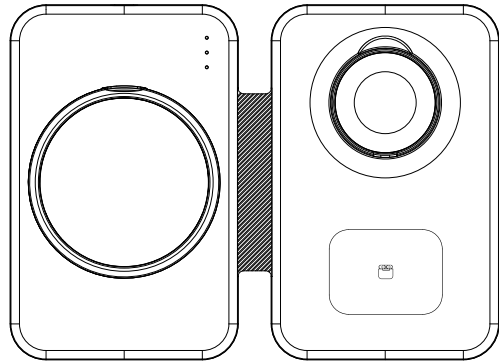
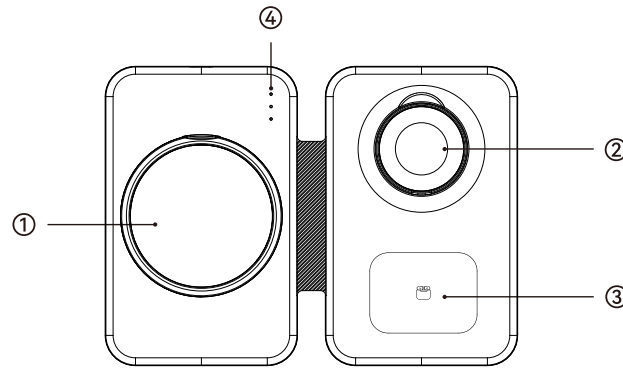


3-in-1 Foldable Wireless Charger User Manual



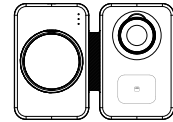
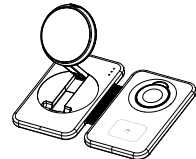
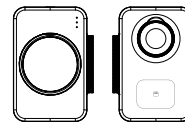
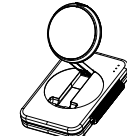
Product Introduction

The product is a 3-in-1 wireless charging pad, preferred smart chip, and supports mobile phones smart watches, earphones. Achieve high efficiency, stable performance, put it on and charge, easily enjoy wireless charging technology life. It can also wirelessly charge mobile phones or other electronic devices that support Qi standard. Suitable for office, home travel charging.



- ① Mobile phone charging area
- ② Watch charging area
- ③ Earbuds charging area
- ④ Charging Indicator

Charging Position

- ①  Horizontal Charging: Charging up to three devices simultaneously.
- ②  Vertical Charging: While charging three devices at the same time, it can also be used as a cell phone stand that can rotate the phone 360°.
- ③  Folding Charging: Can only charge one or two devices and is small enough to save space.
- ④  Folding Vertical Charging: Saves space when charging your phone and can also be used as a phone stand to rotate your phone 360°.

Specification

Input: QC/PD 18W Type-C	Materials: ABS+PC+Metal
Output: 5W/7.5W/10W/15W(Smart Phone)	Size: 120*84*23mm
Output: 5W (Earbuds)	Weight: 144g
Output: 2.5W (Smart Watch)	Working frequency: 110~205kHz
Conversion Efficiency: 80%~85% Max	Transmission Distance: 3~8mm

Precautions

1. Do not pull the power cord forcibly to prevent the power cord from breaking or falling off.
2. Do not disassemble the product or in fire, water, and avoid causing a short circuit.
3. Do not place the product in extremely hot, humid or corrosive environments, to avoid damage to the product.
4. Do not give children to play, in order to avoid unnecessary accidents.

Safety Notice

1. When using fast charging, please use a qualified QC3.0 charging source adapter and fast charging cable, otherwise it may cause unstable charging.
2. Do not put metal objects or magnetic cards on the charging board, which may cause damage or abnormality of the charger.
3. If the receiving coil or the transmitting board is overheated during use and stops charging, please remove the charging product and try charging again after cooling down.

FAQ and Solution

1. Is the phone not charging?
The phone is not aligned with the sensing area or the receiving coil is not installed correctly.
2. Heats up while charging?
It is normal for the receiving coil or the transmitting board to heat up during the wireless charging process.
3. Phone charging intermittently?
A. If the charging current of the adapter is not enough or the voltage is unstable, please use the QC3.0 fast charging adapter to charge.
B. The charging position is too biased, and the electromagnetic induction is not good. The charging position can be adjusted.
4. The main unit indicator light is normal, but the mobile phone does not work?
The receiving coil of the mobile phone is faulty, it is recommended to update the receiving coil or repair the mobile phone (built-in receiving coil).



FCC Warning

This device complies with part 15 of the FCC Rules. Operation is subject to the following two conditions: (1) This device may not cause harmful interference, and (2) this device must accept any interference received, including interference that may cause undesired operation.

Any Changes or modifications not expressly approved by the party responsible for compliance could void the user's authority to operate the equipment.

Note: This equipment has been tested and found to comply with the limits for a Class B digital device, pursuant to part 15 of the FCC Rules. These limits are designed to provide reasonable protection against harmful interference in a residential installation. This equipment generates uses and can radiate radio frequency energy and, if not installed and used in accordance with the instructions, may cause harmful interference to radio communications. However, there is no guarantee that interference will not occur in a particular installation. If this equipment does cause harmful interference to radio or television reception, which can be determined by turning the equipment off and on, the user is encouraged to try to correct the interference by one or more of the following measures:

- Reorient or relocate the receiving antenna.
- Increase the separation between the equipment and receiver.
- Connect the equipment into an outlet on a circuit different from that to which the receiver is connected.
- Consult the dealer or an experienced radio/TV technician for help.

The FCC certification of this device refers to RF exposure testing performed in typical operating conditions, where a person is no closer than 20 centimeters from the device surface at all times, except for non-repetitive patterns with transient time intervals in the order of a second. Only in the stated conditions, the device is shown to fully comply with the FCC RF Exposure requirements of KDB 447498.