



Before Installation

Dear Customer:

Thank you for selecting this product. In order to ensure your safety, read the following instructions carefully and familiarize yourself with the required operation and instructions. Save this guide properly for future use.

All the content in this user guide is prepared according to the latest product information. Kohler reserves all rights to this manual.

I. Product Spec

Name: Kohler Intelligent Gateway

Product Dimensions: 113 x 113 x 25mm

Network standard: Support 802.11b/g/n, WEB, WPA/WPA2, PSK/ EnterPrise

Bluetooth standard: Bluetooth 4.1 (BLE protocol)

Supply voltage/frequency: AC 100~240V, 50/60Hz

Operating Voltage: 5V±0.5V DC

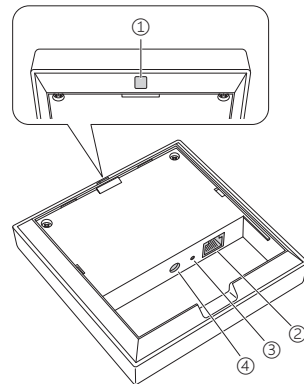
Operating Temp: 0°C~55°C

Storage Temp: -40°C~85°C

Protection Grade: IPx4

1346003-T01-A

II. Buttons and Interfaces



① Paring Button.

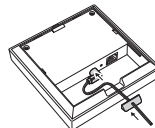
② LAN: Standard RJ45 interface for connecting to an Ethernet local area network.

③ RESET Button: Button to reset the Kohler Konnect Smart Gateway 2.0.

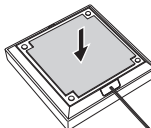
④ DC 5V: Power supply access, please use the original power adaptor.

III. Install Smart Gateway

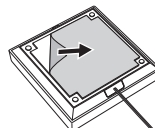
[1] Open the back cover and connect the power adaptor. Make sure the waterproof plug is placed in the slot.



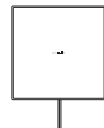
[2] Install the back cover. Paste the double-sided adhesive tape to the back cover.



[3] Remove the film from the double-sided adhesive tape.



[4] Place the gateway wherever appropriate.

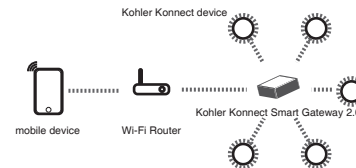


Note:

- Make sure the double-sided adhesive tape is stuck firmly to a flat and clean surface.

IV. Network Connection

Kohler Konnect Smart Gateway 2.0 is the bridge between Kohler Konnect device and Kohler cloud. Connect to a router with an Ethernet cable or wireless network, and interconnect to a Kohler Konnect device using Bluetooth.



V. Usage

1. Power cable connection: connect adaptor to DC interface.

2. Power ON, white LED power indicator lights up.

3. Connect to router:

- Activate Kohler cloud APP, setup Kohler account and then login.
- Select [Add device] on "device" page.
- Operate according to APP instruction, then complete connection and registration of Kohler Konnect Smart Gateway 2.0.

4. Register Kohler Konnect device.

VI. Packaging List

Code	Name	Quan.
1	Kohler Konnect Smart Gateway 2.0	1
2	Power Adaptor	1
3	Double-sided Adhesive Tape	1
4	RJ45 Cable	1
5	User Guide	1
6	Certificate/Repair Card	1

Note

- Do not place product in high temperature, damp or dusty places.
- Use special adaptor, do not share adaptor with other devices.
- Avoid dropping, or severe bumping against product.
- Do not place adaptor power cord or plug close to heat-source devices.
- Do not dismantle adaptor or power cord.
- For your safety, do not open the cover and expose the internal components of the device. Ask a professional to assist you if repair work is required.
- Pictures in this user guide are for reference only.

FCC Warning

This device complies with Part 15 of the FCC Rules. Operation is subject to the following two conditions: (1) this device may not cause harmful interference, and (2) this device must accept any interference received, including interference that may cause undesired operation.

NOTE: Any changes or modifications to this unit not expressly approved by the party responsible for compliance could void the user's authority to operate the equipment.

MPE

This equipment must be installed and operated in accordance with provided instructions and the antenna(s) used for this transmitter must be installed to provide a separation distance of at least 20 cm from all persons and must not be co-located or operating in conjunction with any other antenna or transmitter.