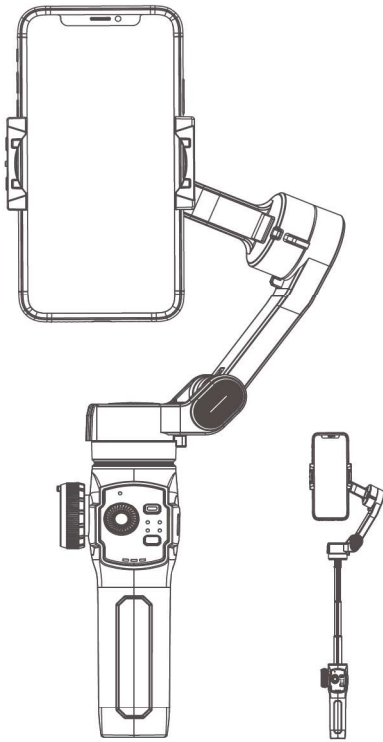


Gimbal

User Manual



*Smartphone is not included

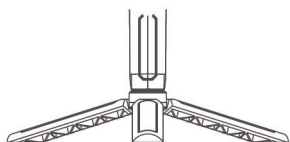
CONTENTS

Quick Start	3
Built in Extension	5
Getting to Know the Stabilizer	6
Operation Instructions	8
Additional	10
Charging	11
Product Specification	12
Caution	13
Storage & Maintenance	13
Attention	14

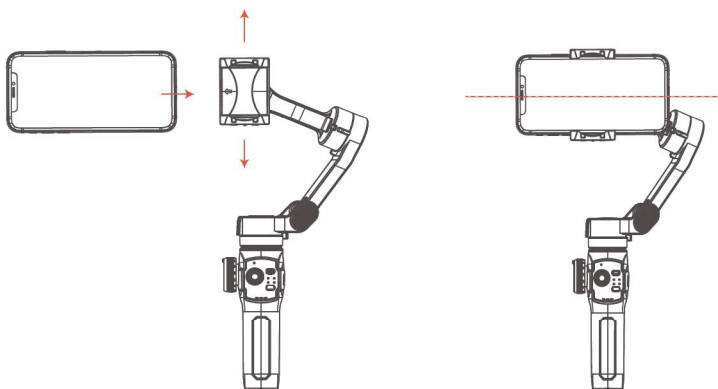
Quick Start

This product supports switching on without a smartphone, and allows the phone to be removed even during use, e.g. when you receive a phone call.

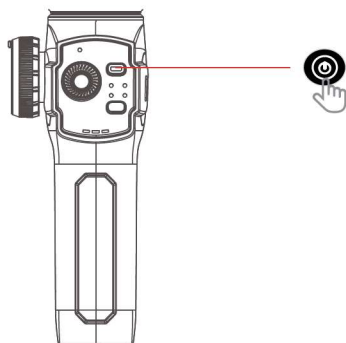
1. Install the tripod to the base of the stabilizer



2. Insert the smartphone to the stabilizer according to the direction of the red arrows, removing the smartphone case before inserting, and ensuring the holder is in the middle of smartphone as shown



3. Long press the power button to switch on



Note:

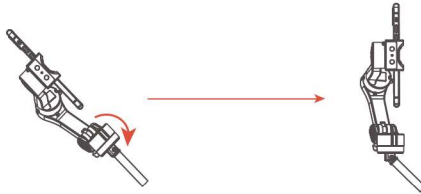
Please make sure that the smartphone is firmly attached to prevent vibration or jerking of the stabilizer. If any part of the stabilizer appears in the shot, push the smartphone slightly away from the tilt motor until the stabilizer is no longer visible in the picture.

The Gimbal features - a built in extension:

1. Picture: makes it easy to get a wider field of view for taking self portraits.
2. Video: enables capturing various angles, wider field of view for handheld self video recording, and additional reach for scenery like high, level and low angle.
3. Specification: Three sections with 170 mm extended.



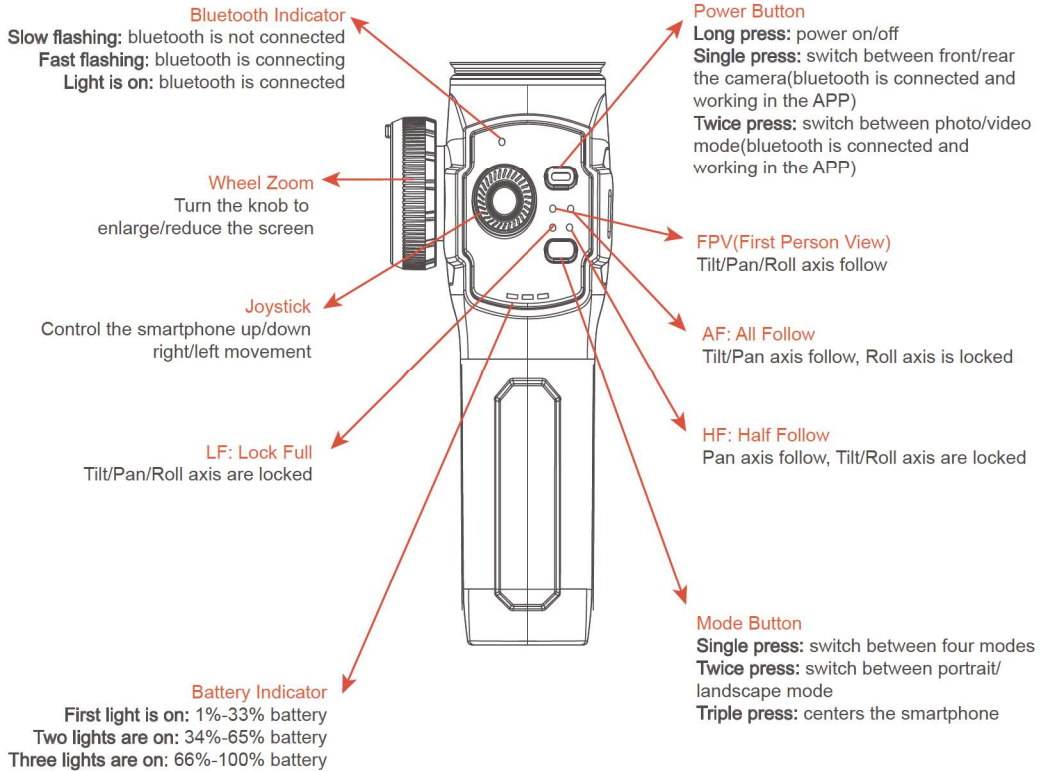
4. The built-in extension rod has a fixed folding direction, do not apply force in reverse or transverse direction to damage the rod.

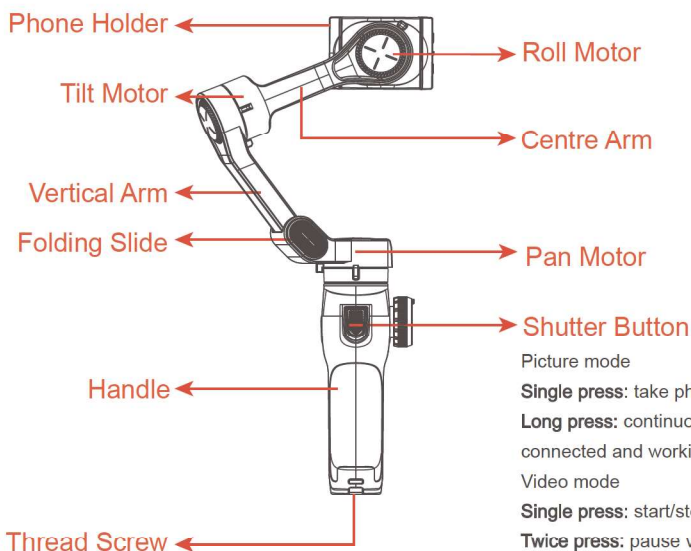


5. If the folding position is loose after long-term use, the standard hexagon socket tool can be used for fastening.



Getting to Know the Stabilizer





Picture mode

Single press: take photo(bluetooth is connected)

Long press: continuous photography(bluetooth is connected and working in the APP)

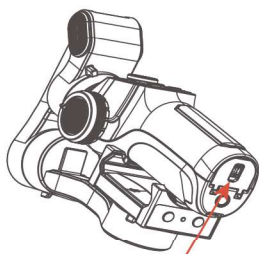
Video mode

Single press: start/stop recording(bluetooth is connected)

Twice press: pause video shooting, twice press again to recover shooting

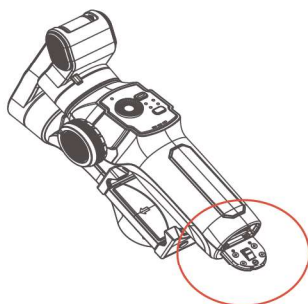
(bluetooth is connected and working in the APP)

Triple press: capture photos during recording(bluetooth is connected and working in the APP)



Battery is replaceable

Pull the dock to open the cover

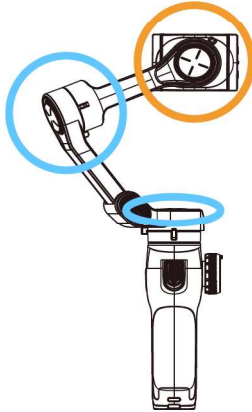


The battery cover is opened

It is recommended to purchase original batteries

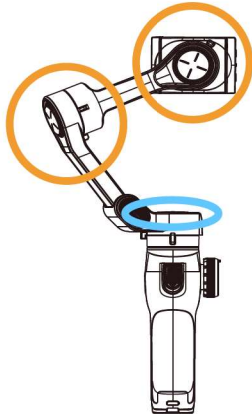
Operation Instructions

All Follow(AF): The Roll axis is locked, the Pan (left/right) and Tilt(up/down) will follow the movement of handle.

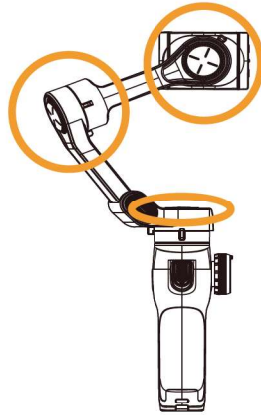


Half Follow(HF): Tilt & Roll are locked. Pan axis rotates (left/right) smoothly with the handle.

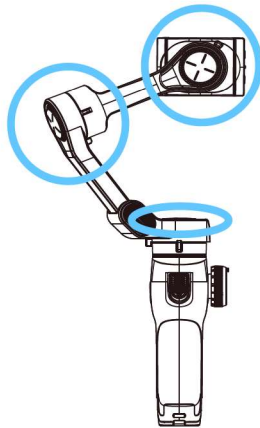
※ Default mode upon powering on



Lock Full(LF): Pan,Tilt, Roll axis are all locked. The camera remains still and stable, which means the camera cannot follow the movement of the handle.



First person view(FPV): Pan, Tilt, Roll axis follow the movement of the handle.



Additional

Combine button

Press the shutter button and power button at the same time, reset the bluetooth name, to disconnect from previous phone, in order for a new phone to perform quick connect

Working mode

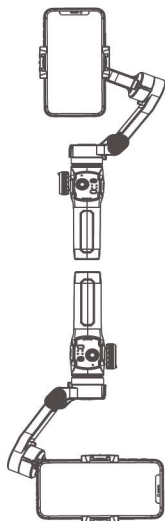
Works with both landscape and portrait modes

Underslung mode

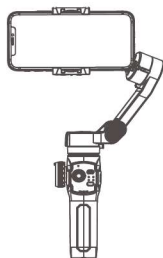
Hold the gimbal upside down to enter underslung mode, in order to capture images from low position

Side Grip mode

Rotate gimbal to the right or left by 90° to go from upright to side grip mode, works with both landscape and portrait modes



Work mode-landscape



Work mode-landscape

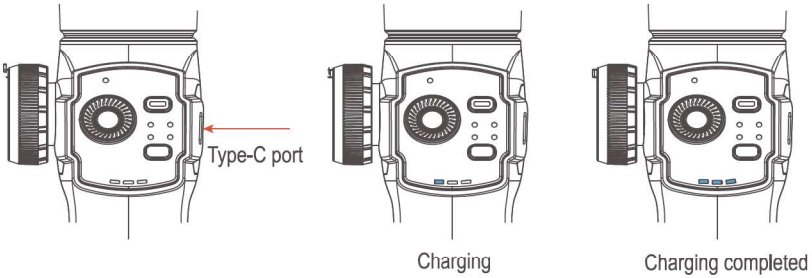


Side grip mode

Charging

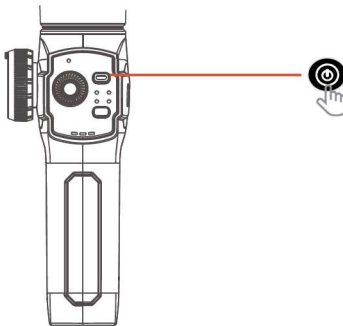
This product supports fast charging, suggested to use a 5V/2A adapter to charge the stabilizer

※ Supports operation during charging



Power off

Press the power button for one(1) second until the indicator lights are off;



Specification

Pitch Angle	160°
Roll Angle	325°
Pan Angle	340°
Controllable Tilt Angle	+45°/-45°
Controllable Roll Angle	+100°/-220°
Controllable Pan Angle	+250°/-100°
Net Weight	382g
Dimension	Unfold: 278mm*136mm*76mm Folded: 164mm*110mm*54mm
Support Smartphones	Diagonal: 192mm Screen: <7.72inch Width: 55-90mm Thickness: 7-12mm
Input Voltage	5V
Input Currency	2A
Working Temperature	0 °C -40 °C

Caution

1. Ensure the motor rotation is not blocked by external force during and after the stabilizer is powered on;
2. Please do not contact with sea water or corrosive liquid;
3. Please do not disassemble the stabilizer (except for the detachable accessories in the manual);
4. If the motor works continuously for a long time, the surface temperature of the motor may be too high;
5. It is strictly forbidden to drop or collide with the stabilizer, which may damage it and cause abnormal operation.

Storage and maintenance

1. Please keep this product away from children and pets;
2. It is forbidden to put the product near the heat source (furnace or heater, etc.) and in the car at hot weather;
3. Please store the product in a dry environment;
4. Do not overcharge or discharge the battery, otherwise the battery cell will be damaged;
5. Do not use the product in the environment with too high or too low temperature.

FCC

This equipment has been tested and found to comply with the limits for a Class B digital device, pursuant to Part 15 of the FCC Rules. These limits are designed to provide reasonable protection against harmful interference in a residential installation. This equipment generates uses and can radiate radio frequency energy and, if not installed and used in accordance with the instructions, may cause harmful interference to radio communications. However, there is no guarantee that interference will not occur in a particular installation. If this equipment does cause harmful interference to radio or television reception, which can be determined by turning the equipment off and on, the user is encouraged to try to correct the interference by one or more of the following measures:

- Reorient or relocate the receiving antenna.
- Increase the separation between the equipment and receiver.
- Connect the equipment into an outlet on a circuit different from that to which the receiver is connected.
- Consult the dealer or an experienced radio/TV technician for help.

This device complies with part 15 of the FCC Rules. Operation is subject to the following two conditions:

(1) This device may not cause harmful interference, and (2) this device must accept any interference received, including interference that may cause undesired operation.

Changes or modifications not expressly approved by the party responsible for compliance could void the user's authority to operate the equipment
*RF warning for Mobile device:

This equipment complies with FCC radiation exposure limits set forth for an uncontrolled environment.