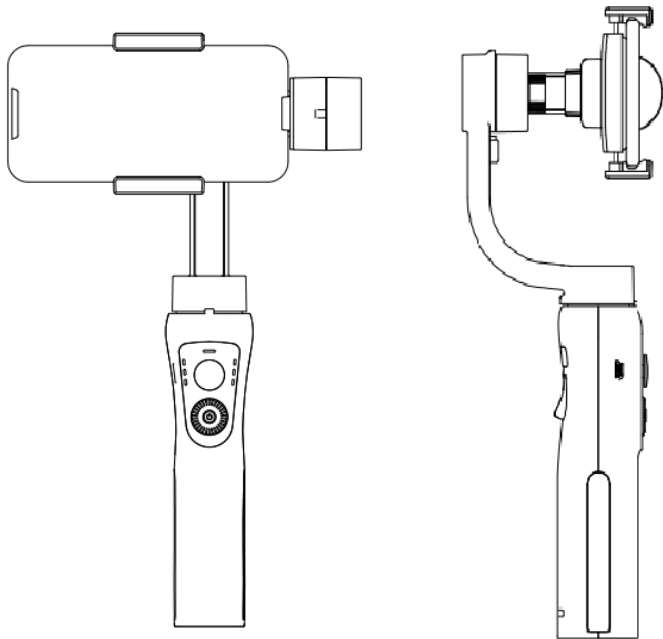


Handheld 3-axis Gimbal Stabilizer

S5B User Manual



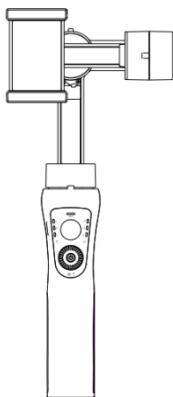
*Smartphone not included

CONTENT

- Package List.....1
- Disclaimer and Warning.....2
- Safety Operation Guidelines.....4
- Get to know the Stabilizer.....6
- USB Connection.....8
- Mounting Mobile phone, Checking Balance.....9
- Operating10
- Operating Mode.....11
- Changing Orientation.....12
- Connection..... 13
- APP Overview.....14
- Product Specification.....15
- Warranty Information.....16
- Warranty Card.....17
- Certificate Of Quality.....18

PACKING LIST

The product should be packed with following items (including this user manual), If you are missing any items or components, please contact your dealer immediately!



GIMBAL
STABILIZER ×1



MICRO USB
CABLE ×1



MANUAL ×1



STRING ×1

DISCLAIMER AND WARNING

Thank you for purchasing our Stabilizer. Before you start PLEASE read this manual and become familiar with Gimbals' components and operating modes to ensure proper operation. The information contained herein affects your safety and your legal rights and responsibility.

Failure to read and follow the instructions and warnings may result in serious injury to you or damage to your device or property.

By using this product, you hereby signify that you have read this document carefully and that you understand and agree to abide by the terms and conditions herein. You agree that you are solely responsible for you conduct while using this product and for any consequences thereof. You agree to use this product only for purposes that are proper and in accordance with all terms, precautions, practices, policies and guidelines our company has made and may make available.

Our company accepts no liability for damage, injury or any legal responsibility incurred directly or indirectly from the use of this product. The user shall observe safe and lawful practices including, but not limited go those set forth herein.

GLOSSARY

The following terms are used throughout the product literature to indicate various levels of potential harm when operating this product.

Warning: Procedures, which if not properly followed, may incur property damage, grave accident, or serious injury.

CAUTION: Procedures, which if not properly followed, may incur property damage and serious injury.

NOTICE: Procedures, which if not properly followed, may incur property damage or minor injury.

DISCLAIMER AND WARNING

WARNING

Read the ENTIRE User guide to become familiar with the features of our Stabilizer before operating. Failure to operate the product correctly can result in damage to the product or personal property, and cause serious injury. This is a sophisticated product. It must be operated with caution and common sense and requires some basic mechanical ability. In-correct Use of product in a safe and responsible manner could result in injury or damage to the product or other property. This product is not intended for use by children without direct adult supervision. DO NOT use with incompatible components or in any way otherwise as mentioned or instructed in the product documents provided by our company. This Safety Guidelines herein contain instructions for safety, operation and maintenance. It is essential to read and follow all of the instructions and warnings in the user manual, prior to assembly, setup or use, in order to operate the product correctly and avoid damage or serious injury.

SAFETY OPERATION GUIDELINE

The Stabilizer should be used in temperatures from 0°C to 40°C.

Use of the battery in environments above 40°C can lead to a fire or explosion.

Use of battery below 0°C can lead to serious damage.

IMPORTANT BATTERY SAFETY INFORMATION

- DO NOT use any third-party or unknown accessories or batteries.
- DO NOT disassemble the battery.
- DO NOT short-circuit the battery. Short circuiting may occur when the battery touches other metal objects.
- DO NOT charge the battery in direct sunlight.
- Always charge the battery in a designated space, away from people and animals.
- DO NOT leave a battery on prolonged charge when not in use.
- If the battery has a high surface temperature, leave it to cool before you try to re-charge it.
- DO NOT charge the battery if the ambient temperature is below 10°C or above 45°C.
- Always use the supplied charger and observe manufacturer charging requirements.
- Battery performance is best when within normal room temperature (5°C-20°C).
- Batteries need to be charged before use.

STORAGE

1. DO NOT leave the Stabilizer near heat sources such as a furnace or heater, or expose inside of a vehicle on hot days.
2. Store Stabilizer in dry environment, and never store the Stabilizer in any environment with temperature of over 60°C.
3. Do not leave the Stabilizer unused for too long after it has been completely discharged to prevent over-discharge of battery which may result in battery damage and permanent damage.

SAFETY OPERATION GUIDELINE

■ CAUTION:

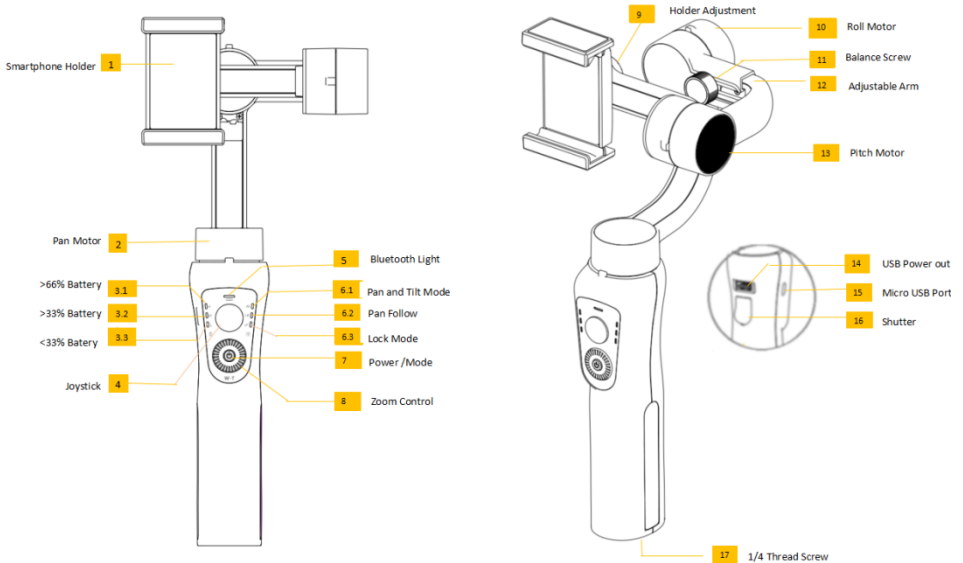
1. The Stabilizers a high -precision control device, damaged may be caused to stabilize if it is dropped or subject to external force, and this many result in malfunction.
2. Make sure the rotation of Stabilizer axes is not blocked by external force when the stabilizer is power on.
3. 3. The Stabilizer is not waterproof or water-resistant. Prevent contacts of any kind of liquid or clear with.
Prevent contacts of any kind of liquid or clear with.
It is recommended to use dry cloth for cleaning.
4. Protect the Stabilizer from dust and sand during use.

■ NOTICE

1. Hold the Stabilizer's Handle still in when it is powering up to ensure it starts up successfully.
2. Make sure the batteries are fully charged before each time of use.
3. Discharge the battery to 40%~65% if it will NOT be used for over 10 days.
This can greatly extend the battery life."
4. Charge and Discharge the battery completely once every 3 months to keep it active.

Get to know Stabilizer

The stabilizer is high-precision control device. Connect to APP, it has more face tracking, time-lapse function, etc. which can offer you professional grade video.



1. **Smartphone Clamp**- hold smartphone steady.
2. **Pan Motor**- it allow you gimbal to rotate 330 degrees horizontally
3. **Battery Level Indicator**- The button shows how much power is left.
 - 0-33% "L" light on
 - 34-66% "L" and "M" lights on
 - 67%-100% "L" "M" "H" lights on
4. **Joystick**- Control movement UP/DOWN (tilt motor) and LEFT/RIGHT
5. **Bluetooth Light**- Blue Light is connected, Flashing is trying to connected.
6. **Operation Mode indicator Light**-Display current operation mode of the Stabilizer
 - 6.1 Light- Stabilizer in Pan & Tilt Follow Mode
 - 6.2 Light- Stabilizer in Pan Follow Mode

6.3 Light- Stabilizer in Lock Mode

7. **Power ON/OFF** and Press 2 times to bring the Mobile phone to bring the Mobile phone to its original position

Power ON/OFF- press and holder the button (8) for 3-4 seconds until the three light (6.1)(6.2)(6.3) flashes blue, than turn on (Default Mode: Pan & Tile Mode)

Mode Button- in single press to switch mode from three operation modes

8. **Zoom Control**- It enables your lens of camera from wide angle to a closer shot of your subject

9. **Holder Adjustment**- Hold smartphone steady

10. **Roll Motor**- Allows the gimbal to rotate 180 degrees vertically.

11 **Balance Screw**- Help balance the weight of smartphone on gimbal.

12. **Adjustable Arm**- Pull out or push the arm back the adjustable arm until the smartphone balance itself

13. **Tilt Motor**- It allow your phone to rotate 325 degree horizontally.

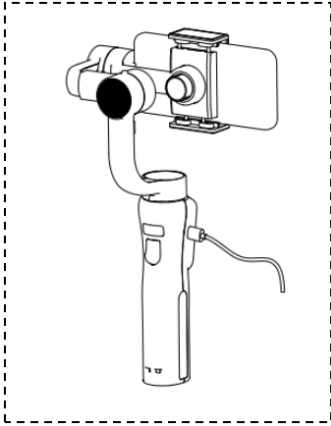
14. **USB Power Out**- Charges the smartphone directly from the gimbal

15. **Micro USB Port**- Allows the gimbal to recharge its battery by connecting the Micro-USB to any standard USB outlet or phone charger

16. **Shutter Button**: Press once to take a picture,

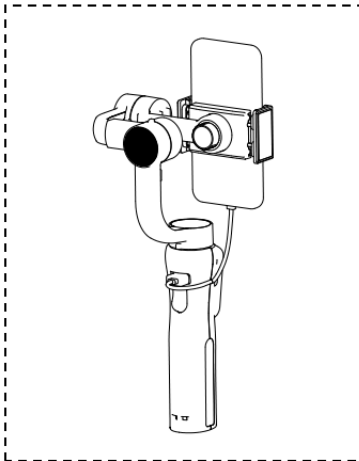
17. **1/4 Thread Screw**- Allow the gimbal to mounted on the device through the /4 thread screw.

USB CONNECTION



IN-USE CHARGING

Connect the Micro USB Port on the side of stabilizer's handle to a power source SUCH AS a power pack (not include) to extend run-times.

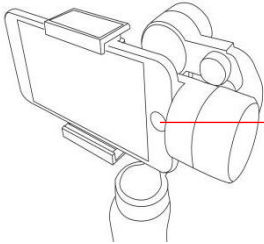


MOBILE CHARGING

The USB port at the bottom of the stabilizer handle can be used for charging of your Smartphone while use.

- An L-shape charging connector is required when the Smartphone is mounted horizontally on the mobile clamp.

MOUNTING SMARTPHONE



Place Smartphone to mounting clip as show. Slide the Smartphone to right until it touches Tilt Motor.

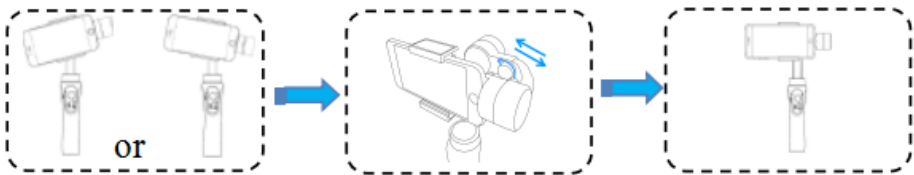
ADJUST BALANCE

If the Smartphone does not stay leveled when mounted, please do as following:

Step 1: Loosen the Roll balance Knob.

Step 2: Make small Adjustment by sliding the horizontal arm, until the mobile balance almost.

Step 3: Tighten the Thumb Screw after the phone is well balanced in level to ensure normal operations.



NOTEDS: Proper adjustment of balance ensures better power saving during operation. The stabilizer may still function well when the gravity center is not properly configured; however, it may lead to more power consumption on the motors. and can greatly affect the torque output.

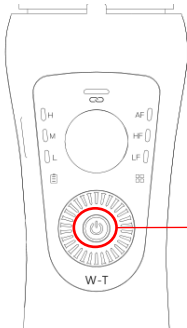
OPERATING

To Power On

Press & Hold the Power/Shooting button for 3-4 seconds until the Mode Indicator light flashes blue, and then turns on All Follow Light in blue color finally.

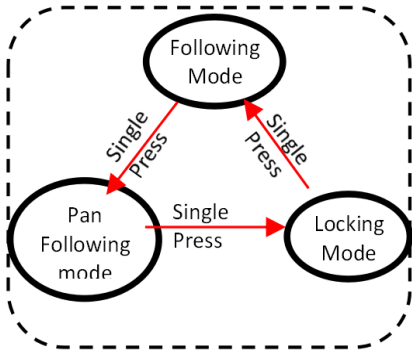
TO POWER OFF

Press & Hold the Power/Shooting button for 3-4 seconds until the Mode Indicator light is off.



Power ON/OFF+
Mode Button

OPERATING MODES



SWITCHING STABLIZER MODES

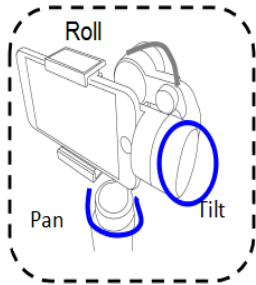
a. The stabilizer enters default Pan & Tilt Following Mode each time when powered on.

Step 2: Click **power** button to Switch into Pan Following Mode.

Step 3: Single Press the **power** button to enter into Locking Mode

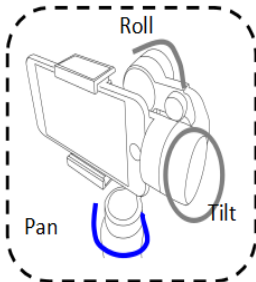
Notes:

The Joystick Function can be used in all 3 modes.



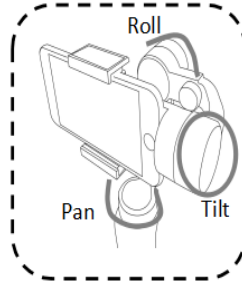
Following Mode:

Roll axes is locked.
The camera pan and tilt are following the movement of camera.



Pan Following Mode:

Tilt & Roll are locked.
Pan axis rotates smoothly with turn of wrist.



Locking Mode:

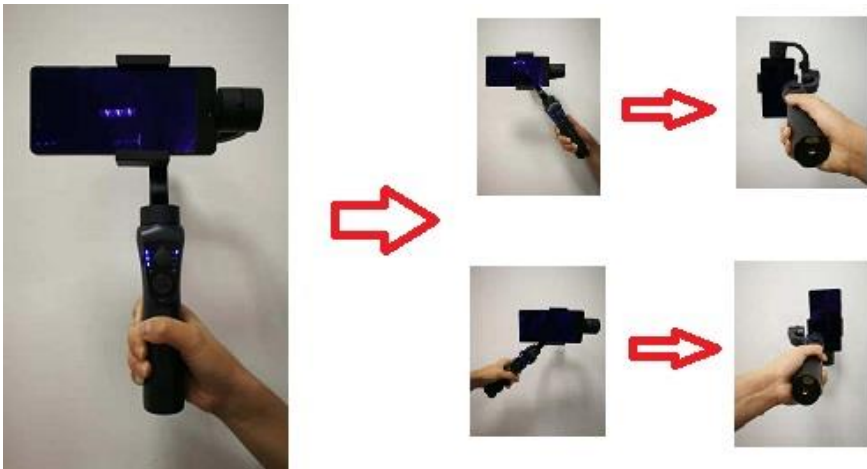
All 3 axes are locked.
The camera keep still and stable, which mean the camera, cannot follow movement of handle/

CHANGE ORIENTATION

1. SWITCHING FROM HORIZONTAL TO VERTICAL

Keep the phone facing yourself and rotate the Stabilizer handle over 70 degrees in counterclockwise direction, Stabilizer will enter vertical shooting Mode. (Phone camera upward)

Keep the phone facing yourself and rotate the Stabilizer handle over 70 degrees in clockwise direction, Stabilizer enter vertical shooting. (Phone camera upward)



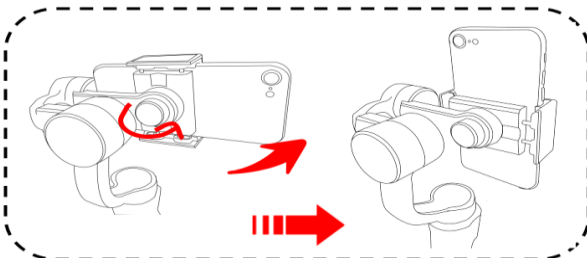
2. SWITCH MOUNT DIRECTION

Step 1: Loosen the Smartphone Clamp Thumbscrew and rotate the clamp to vertical direction

Step 2: Place your Smartphone on the Clamp

Step 3: Tighten the Clamp Thumbscrew to ensure normal operations.

Note: Please convert the phone holder when the gimbal stabilizer is turned off.



HOW TO DOWNLOAD APP

1. Scan QR Code (For Android +iOS) and download below APP for accessing.



2. Find the “Gimbal Pro” App on Google Play & APP Store

BLUEBOOTH CONNECTION

1. USING SMARTPHONE’S CAMERA

Step 1: Power on the stabilizer

Step 2: Turn on Bluetooth in your smartphone setting.

Step 3: Find the Bluetooth name ‘**Stabilizer_xxxxxx**’ to pair the Bluetooth.

3. USING APP

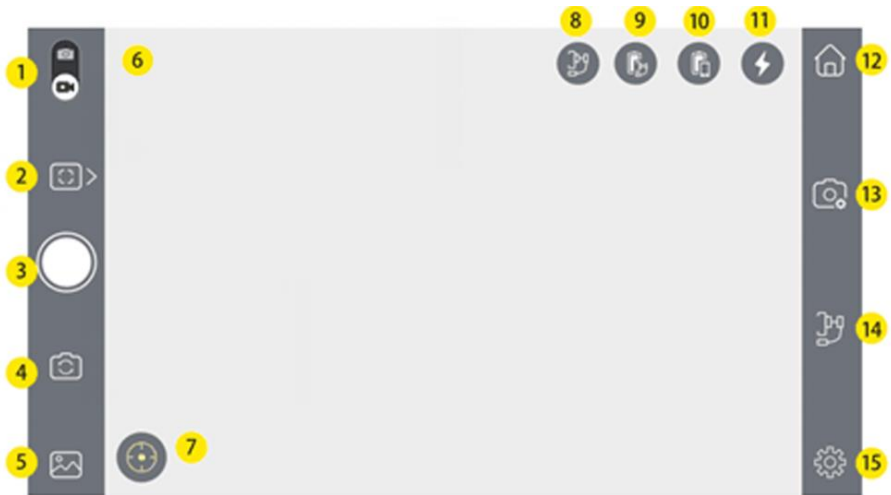
Step 1: Power on the stabilizer

Step 2: Turn on Bluetooth

Step 3: Get into the APP searching device, find the device name

"STABILIZER_xxxxxx", then click device name to enter the camera interface.

APP OVERVIEW



1. Photo & Video Switch
2. Panorama & Time-lapse
3. Shutter & Shooting
4. Toggle Camera
5. Gallery
6. Bluetooth
7. Face / Object Tracking
8. Mode Status
9. Gimbal Battery
10. Phone Battery
11. Flash
12. Home
13. Camera Modes
14. Mode Select
15. Settings

PRODUCT SPECIFICATION

	Min.	Standard	Max.	Remarks
Input Vol.	3.4V	3.7V	4.2V	
Operation Current	150mA	1500mA	3000mA	
Operation Temperature	0°C		40°C	
Operation Time		12h		Well balanced with camera mounted
Weight		460g		
Pitch Angle Range		325°		
Roll Angle Range		180°		
Pan Angle Range		330°		
Compatible Models	Smartphone with sizes under 6.0 Gopro3/4/5/6			
Controllable Pitch Angle	-155°		+155°	
Controllable Roll Angle	-30°		+30°	
Controllable Pan Angle	-155°		+155°	
Payload		230g		
Charging Time		5H		
Charging Voltage		5V		
Charging Current		1A		
Power Output Voltage		5V		
Power Output Current		1A		

WARRANTY INFORMATION

Warranty Period

1. The warranty period is 1 year from the original date of purchase. During the warranty period, under normal use, our company will at its option, repair and/or replace parts which determined by defective situation.
2. Warranty this product against effects in material or workmanship when it belong Normal consumer usage and conditions for the time periods.

Warranty does not cover:

1. Products subjected to unauthorized Maintenance, misuse, collision, neglect, mishandling, soaking, accident, and unauthorized alteration.
2. Incorrect use of product: Removing serial number labels/tags
3. Products whose warranty has expired.
4. Products damaged due to inevitable force, such as fire, flood, lighting, etc.

Warranty Claim Procedure

If failure or any problem occurs to your product after purchase, please contact a local agent for assistant.

Latest Information

For the latest user manuals, tutorial video, firmware and calibration instruction, please visit your dealer web page.

Many Stabilizer performances can be solved with a simple calibration sequences.

FCC Statement

This equipment has been tested and found to comply with the limits for a Class B digital device, pursuant to Part 15 of the FCC Rules. These limits are designed to provide reasonable protection against harmful interference in a residential installation. This equipment generates uses and can radiate radio frequency energy and, if not installed and used in accordance with the instructions, may cause harmful interference to radio communications. However, there is no guarantee that interference will not occur in a particular installation. If this equipment does cause harmful interference to radio or television reception, which can be determined by turning the equipment off and on, the user is encouraged to try to correct the interference by one or more of the following measures:

- Reorient or relocate the receiving antenna.
- Increase the separation between the equipment and receiver.
- Connect the equipment into an outlet on a circuit different from that to which the receiver is connected.
- Consult the dealer or an experienced radio/TV technician for help.

§ 15.21 Information to user.

Any Changes or modifications not expressly approved by the party responsible for compliance could void the user's authority to operate the equipment.

Specific Absorption Rate (SAR) information:

This product meets the government's requirements for exposure to radio waves. The guidelines are based on standards that were developed by independent scientific organizations through periodic and thorough evaluation of scientific studies. The standards include a substantial safety margin designed to assure the safety of all persons regardless of age or health.

Body-worn Operation

This device was tested for typical body-worn operations. To comply with RF exposure requirements, a minimum separation distance of 5mm for body worn must be maintained between the user' s body, including the antenna. Third-party belt-clips, holsters, and similar accessories used by this device should not contain any metallic components. Body-worn accessories that do not meet these requirements may not comply with RF exposure requirements and should be avoided. Use only the supplied or an approved antenna.

§ 15.19 Labeling requirements.

This device complies with part 15 of the FCC Rules. Operation is subject to the following two conditions: (1) This device may not cause harmful interference, and (2) this device must accept any interference received, including interference that may cause undesired operation

WARRANTY

Custom Information

Customer Name:

Contact No:

Address:

Sales Information

Sales Date: :

Product Serials No:

Dealer:

Contact Tel No:

#1 Maintenance Record

Service Date:

Signature of Repairman:

Cause of Problem: :

Service Result: Solved

Unsolved

Refunded/Replaced

Certificate of Quality

This product is confirmed to meet
quality standards and Permitted for
sales after strict inspection.

QC inspector: _____