

65mm

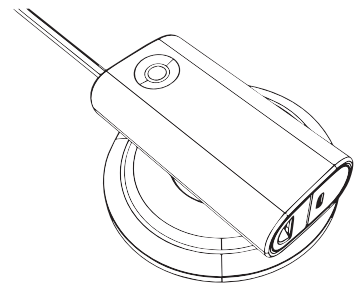
65mm

65mm

65mm

65mm

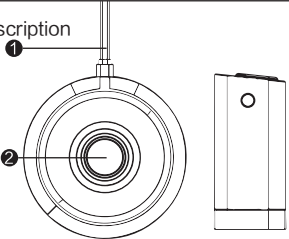
**USER MANUAL**



**GLO WIRELESS CHRGING  
QIQUICK  
QRC102**

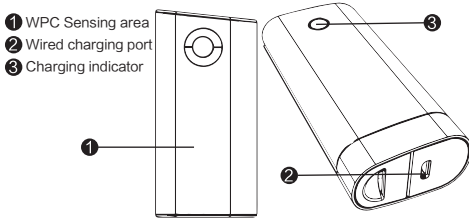
一、Product Description

1. Wireless Charger transmitter



- ① Power cable
- ② WPC Sensing area

2. Wireless Charger receiver

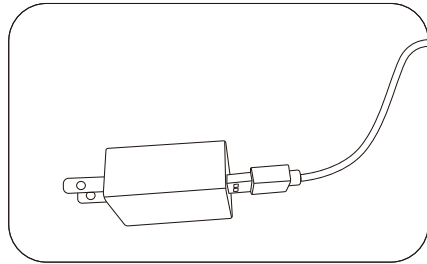


- ① WPC Sensing area
- ② Wired charging port
- ③ Charging indicator

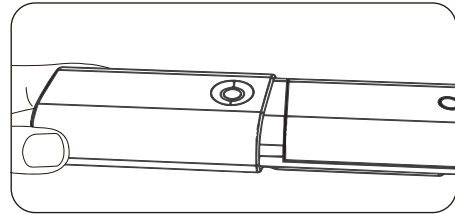
二、How to use

1. Wireless Charger

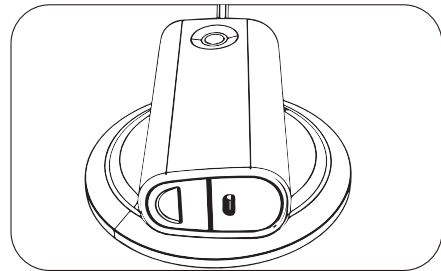
1.1 Wireless Charger transmitter connect to AC adapter



1.2 Put the GLO into wireless charging receiving case properly.

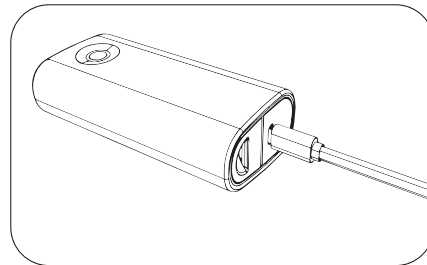


1.3 To use wireless charging, please put the GLO with receiver in the middle of the transmitter with the receiving face down.



2. Cable Charging

2.1 Connect the charging port and the power supply with the cable for charging with wire.



三、LED indicator

Functional status	LED ( Blue )
Power ON	Light on
Charging	Light on
Standby	Light on

四、Wireless charging standard

This wireless charging kit meets the WPC Qi specification

FCC Declaration  
This device complies with part 15 of the FCC Rules. Operation is subject to the following two conditions:

(1) This device may not cause harmful interference, and (2) this device must accept any interference received, including interference that may cause undesired operation.  
Caution: Any changes or modifications not expressly approved by the party responsible for compliance could void the user's authority to operate this equipment.  
Note: This equipment has been tested and found to comply with the limits for a Class B digital device, pursuant to part 15 of the FCC Rules. These limits are designed to provide reasonable protection against harmful interference in a residential installation. This equipment generates, uses and can radiate radio frequency energy and, if not installed and used in accordance with the instructions, may cause harmful interference to radio communications. However, there is no guarantee that interference will not occur in a particular installation. If this equipment does cause harmful interference to radio or television reception, which can be determined by turning the equipment off and on, the user is encouraged to try to correct the interference by one or more of the following measures:  
—Reorient or relocate the receiving antenna.  
—Increase the separation between the equipment and receiver.  
—Connect the equipment into an outlet on a circuit different from that to which the receiver is connected.  
—Consult the dealer or an experienced radio/TV technician for help.  
FCC Radiation Exposure Statement  
This equipment complies with FCC radiation exposure limits set forth for an uncontrolled environment. This equipment should be installed and operated with minimum distance 20cm between the radiator & your body.