



东莞市一佳电子通讯科技有限公司

Dongguan YiJia Electronics Communication Technology Co.,Ltd.

规格承认书

SPECIFICATION FOR APPROVAL

日期 Date	2022/08/09
编号 File No	22080901
版本 Revision	1.0

客户
CUSTOMER: 方位

客户料号
CUSTOMER NO: EADA100028A0

品名
PART NAME: WIFI Antenna L= 55mm

供方料号
SUPPLIER NO: YJL01.106.040.301A

送样日期Date: 送样数量Q “TY:

客户确认CUSTOMER APPROVED BY		
APPROVAL	CHIEF	SUPERVISOR

供方确认 SUPPLIER SIGNATURE		
APPROVAL	CHECK	DESIGN
 ChenGuoqiang	XieLi	ChenXingyi

YJ-RD-F04-A



承认书项目表

NO	内容 (Contents)	页数 (Number of Page)	页码 (Page Code)
1	承认书封面 (Spec Cover)	1	1
2	承认书项目表 (Spec Item)	1	2
3	工程成品图 (Drawing)	1	3
4	天线规格 (Antenna Specification)	1	4
5	S参数测试 (S Parameter)	1	5
6	无源测试 (Passive Test)	2	6 ~ 7
7	方向图 (Radiation Pattern)	1	8
8	有源测试 (Active Test)	2	9 ~ 10
9	天线装配图 (Antenna Profile)	2	11 ~ 12
10	材质证明 (Material Certificate)	16	13 ~ 28
11	RoHS报告 (RoHS Test Report)	**	**
12	N/A	N/A	N/A
13	-	-	-

RoHS

Compatible

CUSTOMER
PART NO

REV.

DESCRIPTION

DATE

A

首次发行

2022-08-09

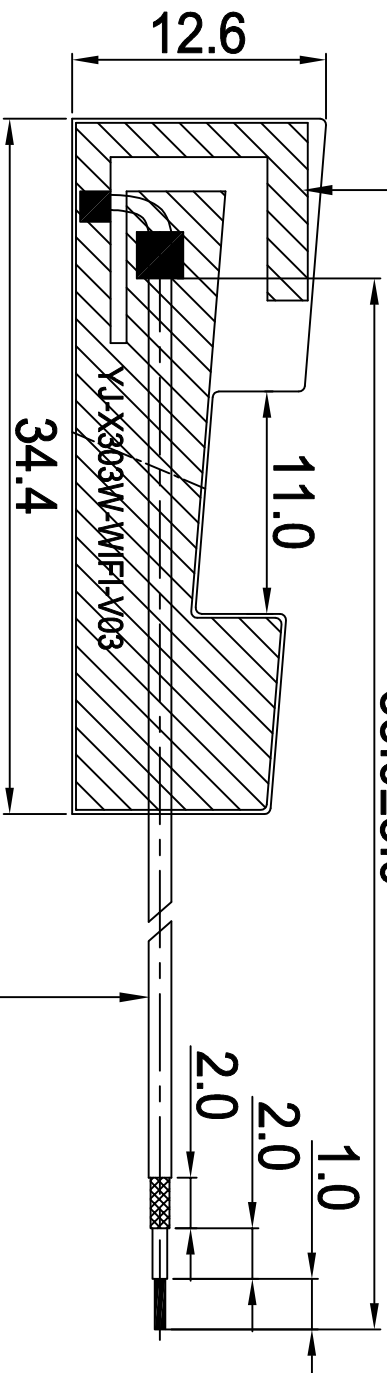
B

修改外形及线路

2022-09-06

2

55.0±3.0



1



东莞市一佳电子通讯科技有限公司
Dongguan Yijia Electronics Communication Technology Co., Ltd. Tel.: 0769-82586086
Fax: 0769-82586086

PART NAME: WIFI Antenna L=55mm

PART NO.: YJL01.106.040.301A

DATE: 2022-09-06

APPROVED BY



Tolerance
X.X ±0.50
X.XX±0.15
X° ±3°

何清军

周颖杰

廖光喜

CHECKED BY

DESIGNED BY

UNITS: mm
SCALE: 1/1
REVISION: B

34.4*12.6mm

FPC

FPC11XXXA.P01

1

Coaxial Cable

O.D. 1.13 Black

O.D. 1.13

COA100XXA.P01

1

PART NAME

DESCRIPTION

Material

Part Number

Q.TY

A

B

C

D

E

1

2

3

4

5

6

7

8



天线规格

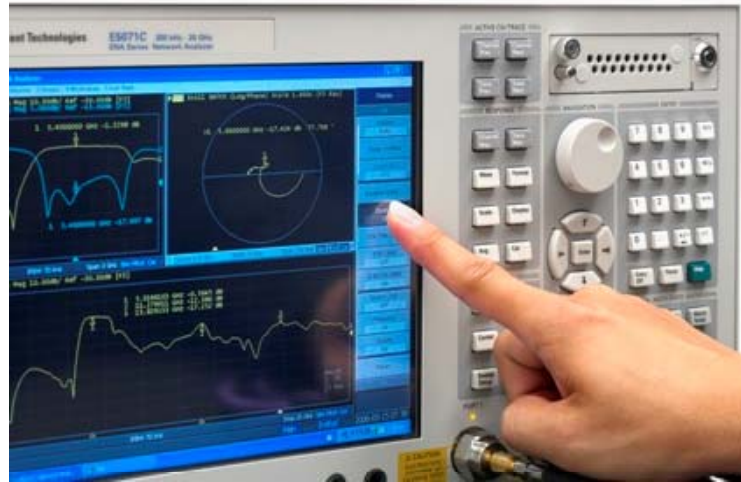
Antenna Specification

Electrical Properties	
Frequency	2.4-2.5GHz
Impedance	50 Ohm Nominal
V.S.W.R	2.5 Max
Gain	4.3 dBi
Radiation	Omni-directional
Polarization	Linear
Physical Properties	
Connector	None
Cable Type	O.D.1.13mm
Cable Length	55mm
Cable Color	Black
Operating Temp.	-40 ~ +85 °C
Storage Temp / Humidity	25 ± 5°C / <70%

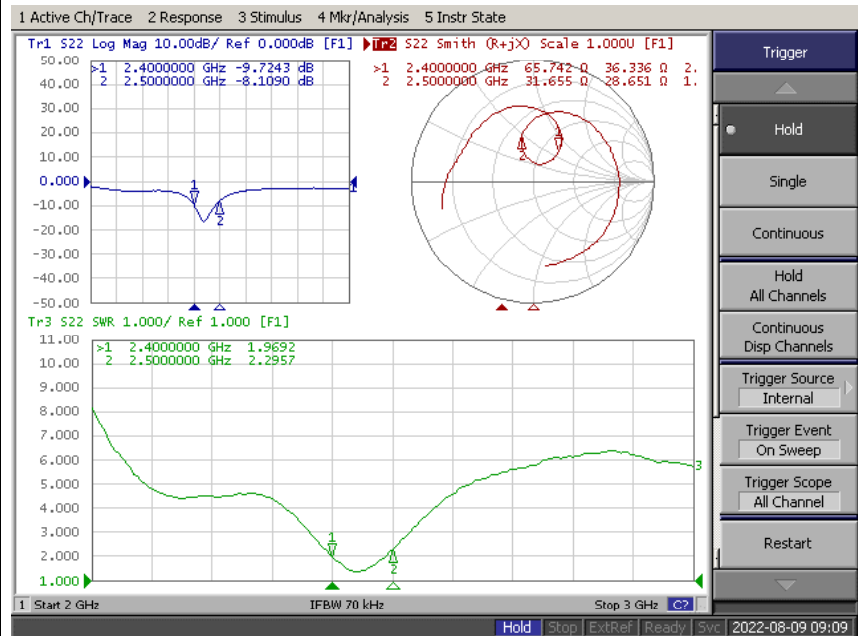


Antenna Performance Test

**Agilent
E5071B**

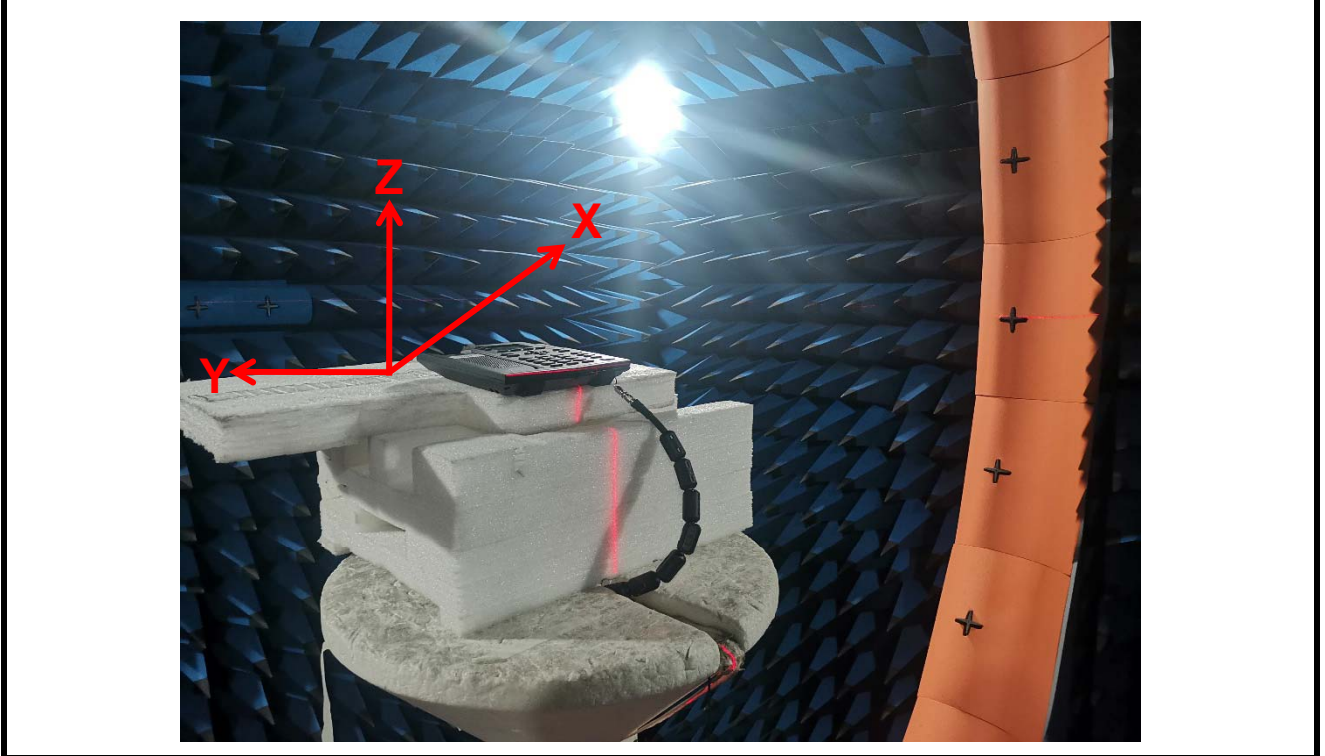
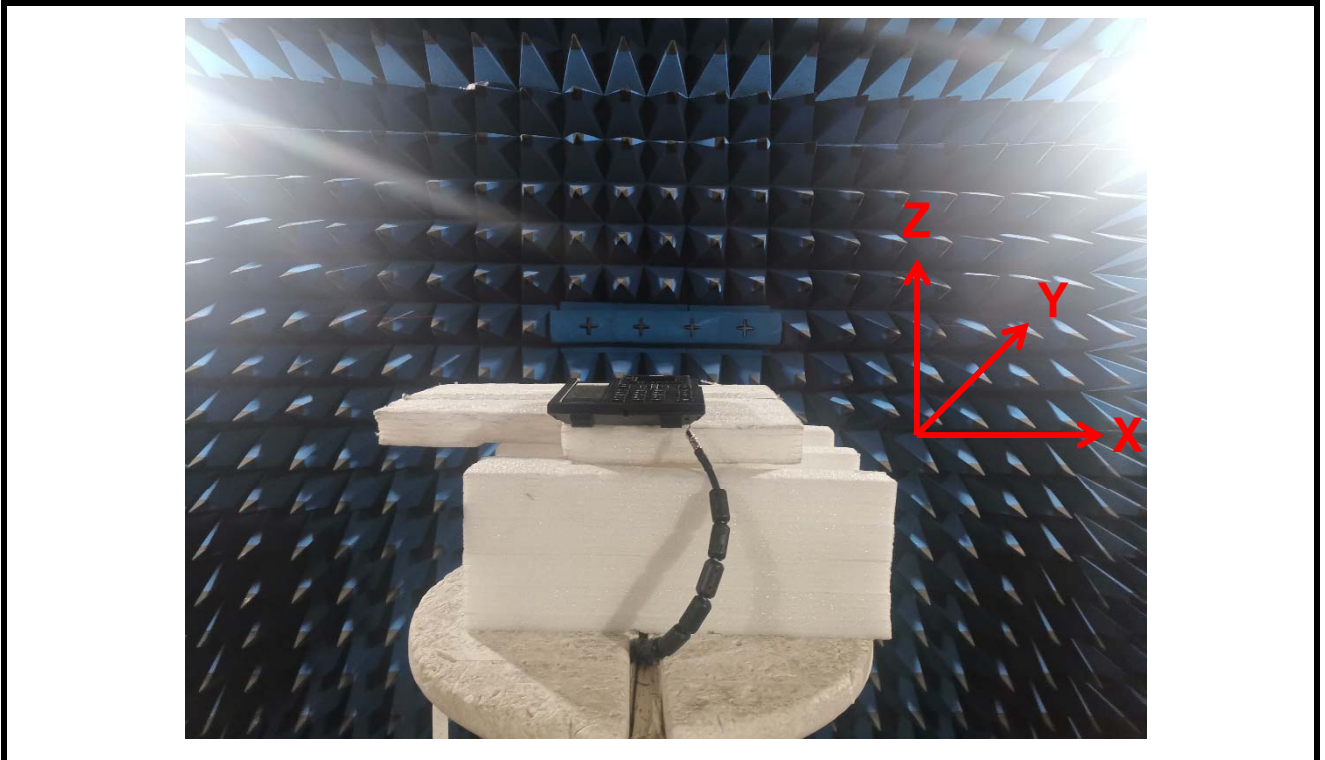


**S
Parameter
Test //
WIFI
Antenna**





Antenna Passive Test

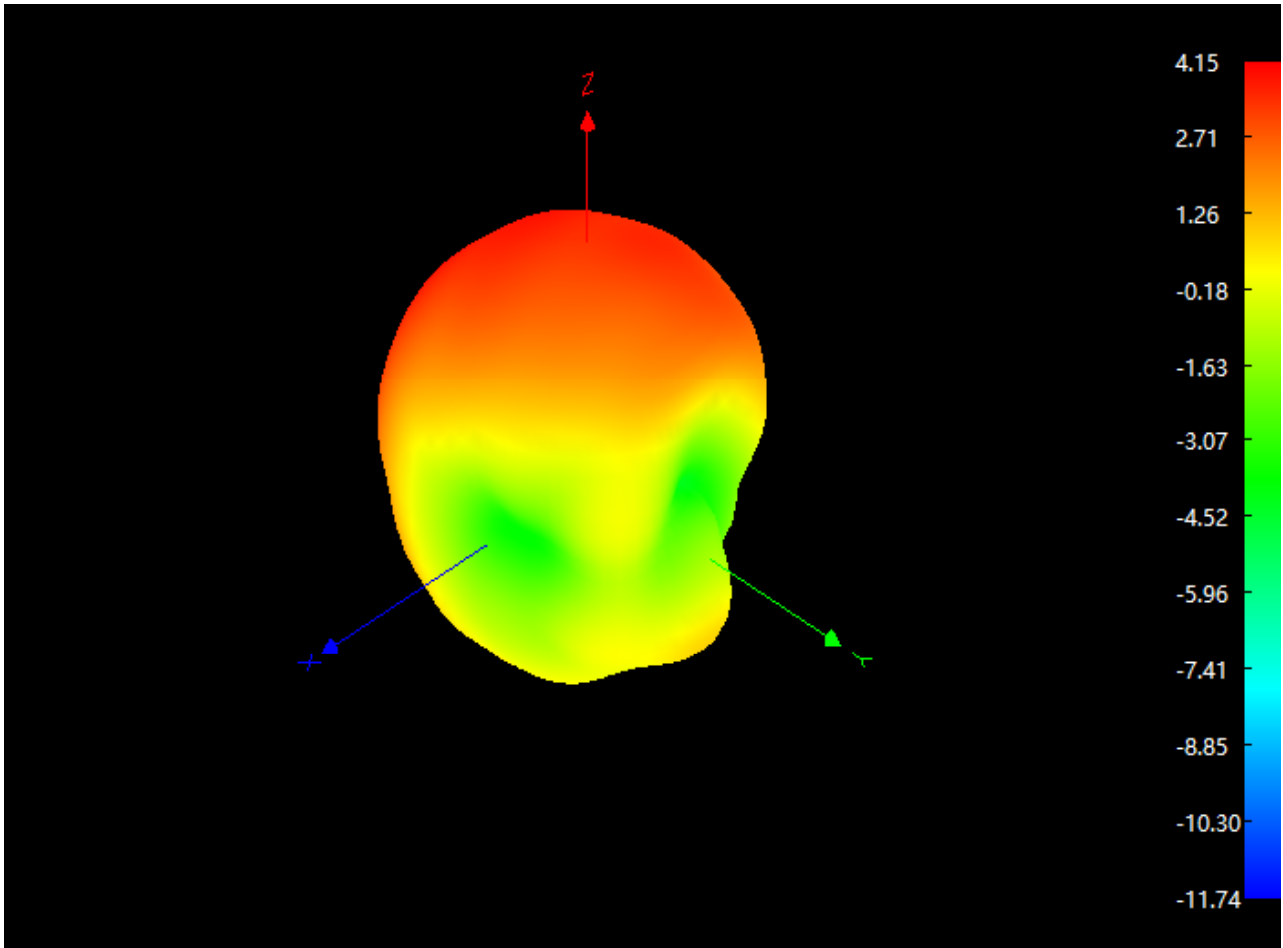




Passive Test For WiFi Antenna(2.4G)			
Freq (MHz)	Effi (%)	Effi (dB)	Gain (dBi)
2400	47.0	-3.3	2.6
2410	49.0	-3.1	2.9
2420	51.1	-2.9	3.3
2430	54.0	-2.7	3.7
2440	54.8	-2.6	3.9
2450	56.6	-2.5	4.2
2460	55.1	-2.6	4.2
2470	55.9	-2.5	4.3
2480	53.2	-2.7	4.1
2490	51.4	-2.9	4.0
2500	47.6	-3.2	3.7



Radiation Pattern For WIFI Antenna(2450MHz)





Antenna Active Test

