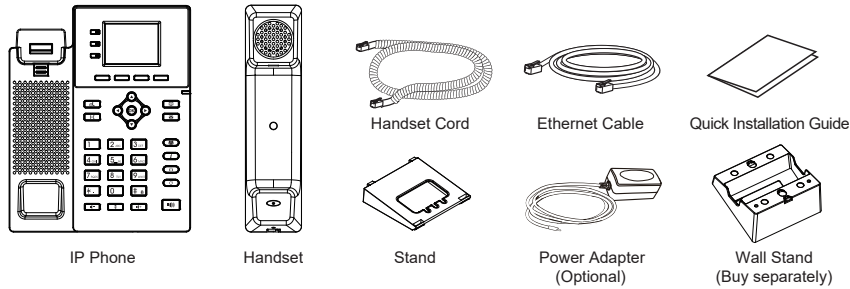
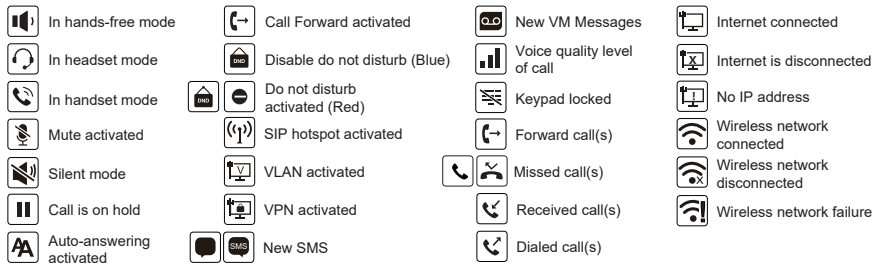




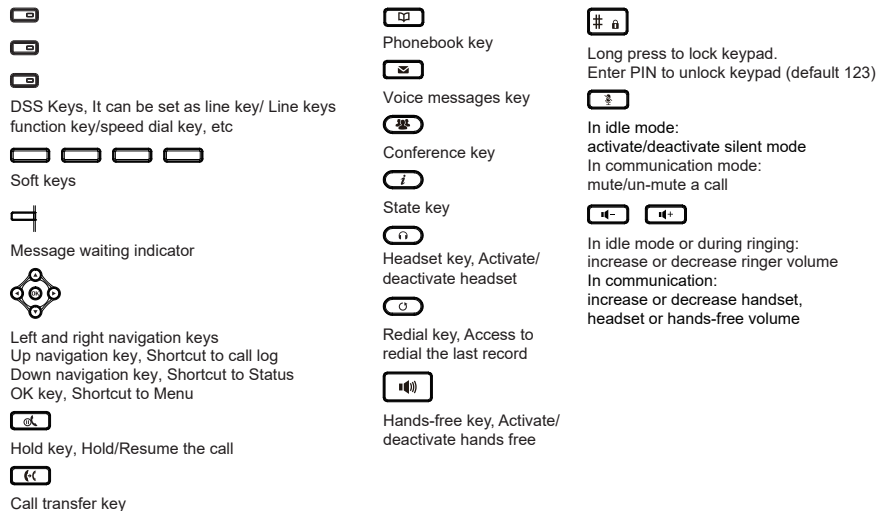
## Packaging list



## Screen icon



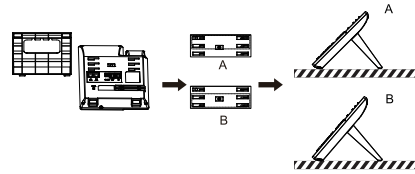
## Key features



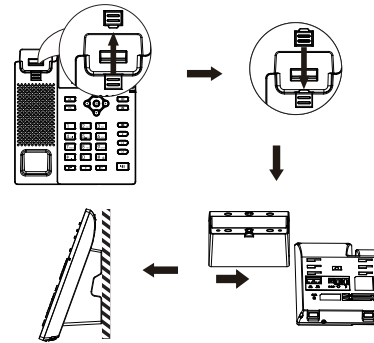
## Device Installation

Please follow the instructions in below picture to install the device.

### • Bracket desktop installation



### • Wall mounting (Wall Stand need buy separately)

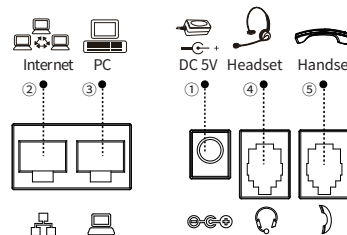


Note: The installation height of the wall-mounted bracket is less than 2 meters from the ground.

### Connecting to the device

Please connect power adapter, network, PC, handset, and headset to the corresponding ports as described in below picture.

- Power port: connect the power adapter.
- Network port: connecting local area network or Internet.
- PC port: the network port connect to the computer.
- Headset port: connect headset.
- Handset port: connect IP Phone handset.



## Network connect

### Using Ethernet

- The power on the device and connect the WAN port of the phone to the RJ45 socket of a hub/switch or a router (LAN side of the router) using the Ethernet cable.
- The default is DHCP mode.

### Using WiFi

- The power on the device and make sure the phone is idle.
- Press Menu > Basic > WLAN, Enabled the WiFi Feature.
- Press scan to search for currently available wireless network.
- Enter the available network and select the WiFi you want to connect.
- Press connect soft key and enter the appropriate password to connect to the WiFi. The default is DHCP mode.

## Configuration

### Configuration via LCD menu of phone

- Press Menu > Advanced (default password 123)
- Select Network: To configure the Network Settings (IPv4/IPv6/IPv4&IPv6, DHCP/Static/PPPoE).
- Select Accounts: To configure enable the account, fill the SIP server address, port, user name, password etc.
- Save the configuration.

### Configuration via web

- Get the IP address from the phone: Press key, or Menu > Status > ETH .
- Login: Input the IP address in the web browser. The PC and phone should be in the same IP address segment (The default username and password are both 'admin'.)
- Configure: Select network/account etc, and fill the relevant content.
- Save the configuration.

## Language setting

- Press Menu key > Basic > Language.
- Select the desired language and press OK key.

## Making a call

- Pre-dialing**: enter the phone number and pick up the handset.
- Direct dialing**: lift the handset and enter the phone number.
- Handsfree**: enter phone number and press or vice versa.
- Headset**: enter phone number and press or vice versa.
- Designated line**: press line key, enter phone number and press dial key.

## Accepting a call

- Using the handset**: pick up the handset.
- Using the headset**: press .
- Using the handsfree**: press .

## **FCC Statement**

This equipment has been tested and found to comply with the limits for a Class B digital device, pursuant to part 15 of the FCC rules. These limits are designed to provide reasonable protection against harmful interference in a residential installation. This equipment generates, uses and can radiate radio frequency energy and, if not installed and used in accordance with the instructions, may cause harmful interference to radio communications. However, there is no guarantee that interference will not occur in a particular installation. If this equipment does cause harmful interference to radio or television reception, which can be determined by turning the equipment off and on, the user is encouraged to try to correct the interference by one or more of the following measures:

- Reorient or relocate the receiving antenna.
- Increase the separation between the equipment and receiver.
- Connect the equipment into an outlet on a circuit different from that to which the receiver is connected.
- Consult the dealer or an experienced radio/TV technician for help.

To assure continued compliance, any changes or modifications not expressly approved by the party.

Responsible for compliance could void the user's authority to operate this equipment. (Example- use only shielded interface cables when connecting to computer or peripheral devices).

Any Changes or modifications not expressly approved by the party responsible for compliance could void the user's authority to operate the equipment.

This equipment complies with Part 15 of the FCC Rules. Operation is subject to the following two conditions:

- (1) This device may not cause harmful interference, and
- (2) This device must accept any interference received, including interference that may cause undesired operation.

### **FCC Radiation Exposure Statement:**

The equipment complies with FCC Radiation exposure limits set forth for uncontrolled environment. This equipment should be installed and operated with minimum distance 20cm between the radiator and your body.