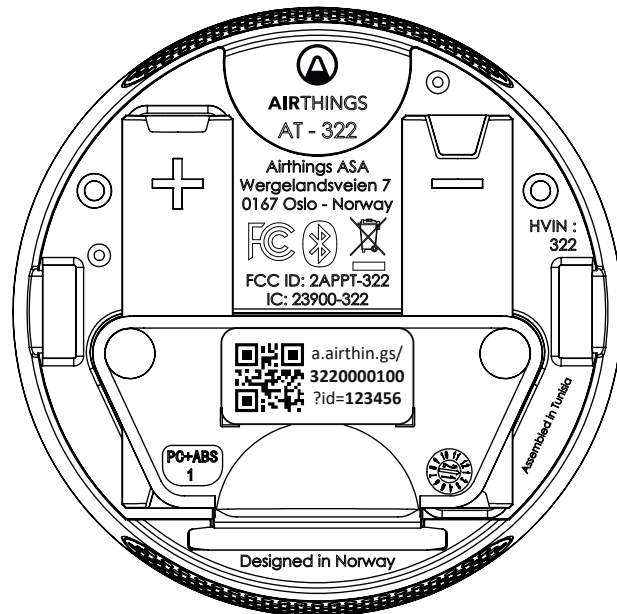
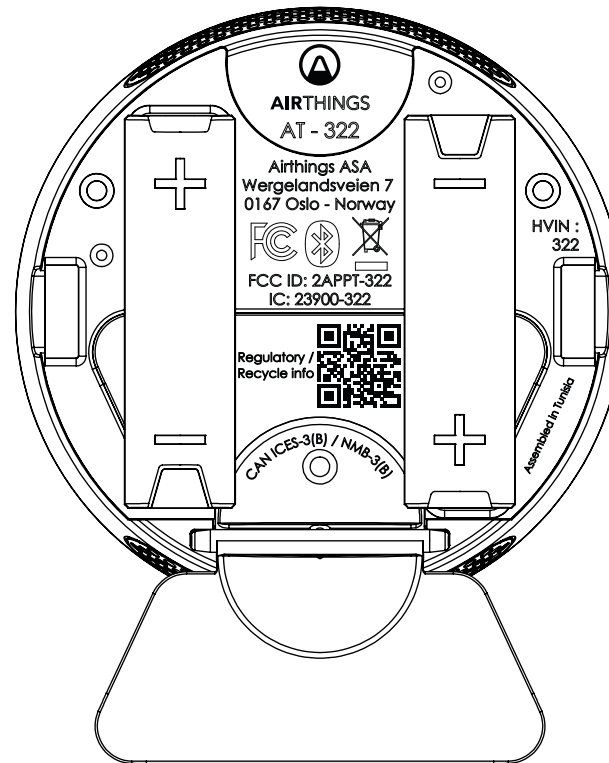


Wave Enhance 322 Print + color dot

Bottom with folded table stand



Bottom with unfolded table stand



Revision #	05
Revision Date	09.05.2023
Designed by (4MOD)	S.Allard
Approved by (Airthings)	

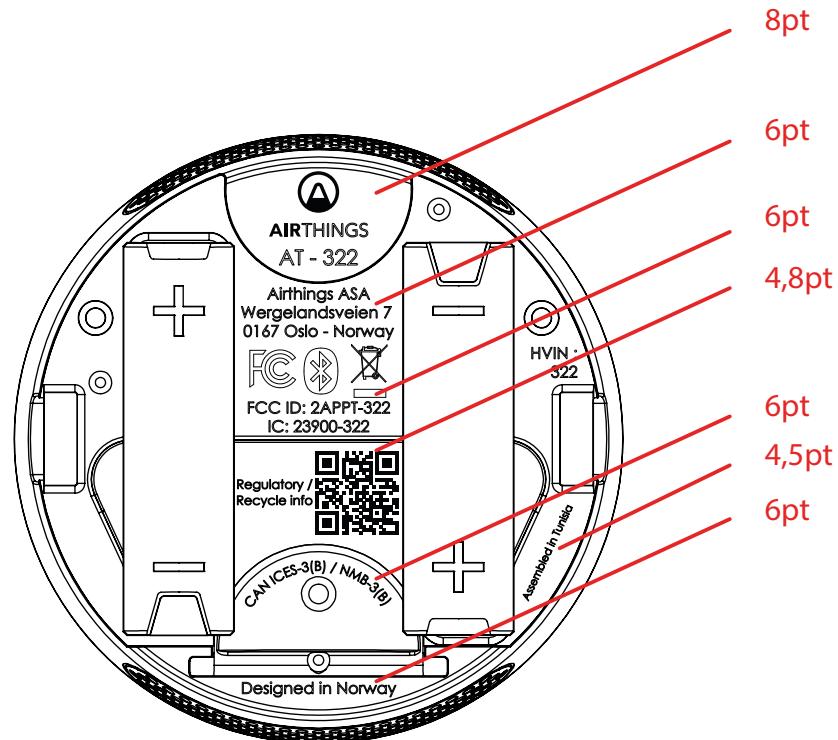
These drawings and specifications are the property of 4MOD Technology and shall not be reproduced or copied, or used as basis for the manufacture or sale of apparatus or devices without permission.

4MOD Technology, SARL au capital de 50 000€ RCS 501 537 500 00057
4, rue de la cornouaille 44300 NANTES

Wave Enhance 322 Laser print

For size(s) and font(s), please refer to the DXF
Material to engrave: polycarbonate (ABS/PC)

QR code autogenerated by laser marking
tool
<https://airthings.com/322>



Scale 1:1

Wave Enhance 322 QR code label



**QR code label
(25x12,5mm)**

Same as Wave & View product

**Scale 1:1
Size A4**

These drawings and specifications are the property of 4MOD Technology and shall not be reproduced or copied, or used as basis for the manufacture or sale of apparatus or devices without permission.

4MOD Technology, SARL au capital de 50 000€ RCS 501 537 500 00057
4, rue de la cornouaille 44300 NANTES